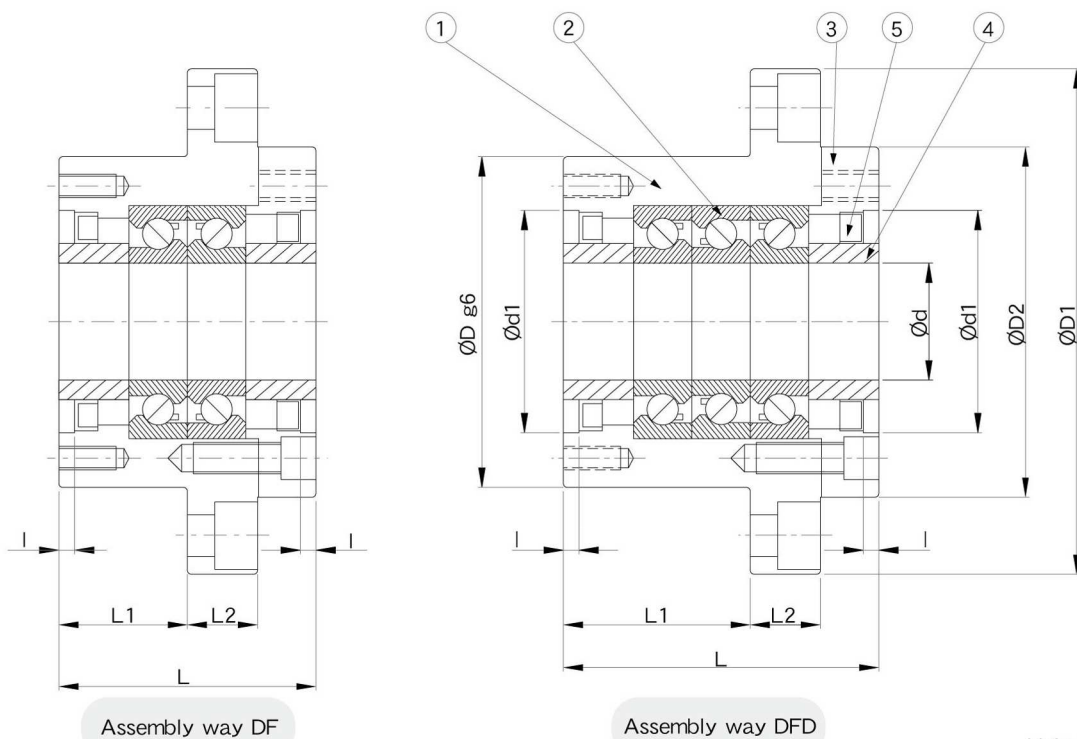


## WBK type support Unit ( heavy-load )

No.	Part name	Qty
1	Housing	1
2	Bearing	1 set
3	Holding lid	1
4	Collar	2
5	Seal	2
6	Lock nut	1 set



## WBK

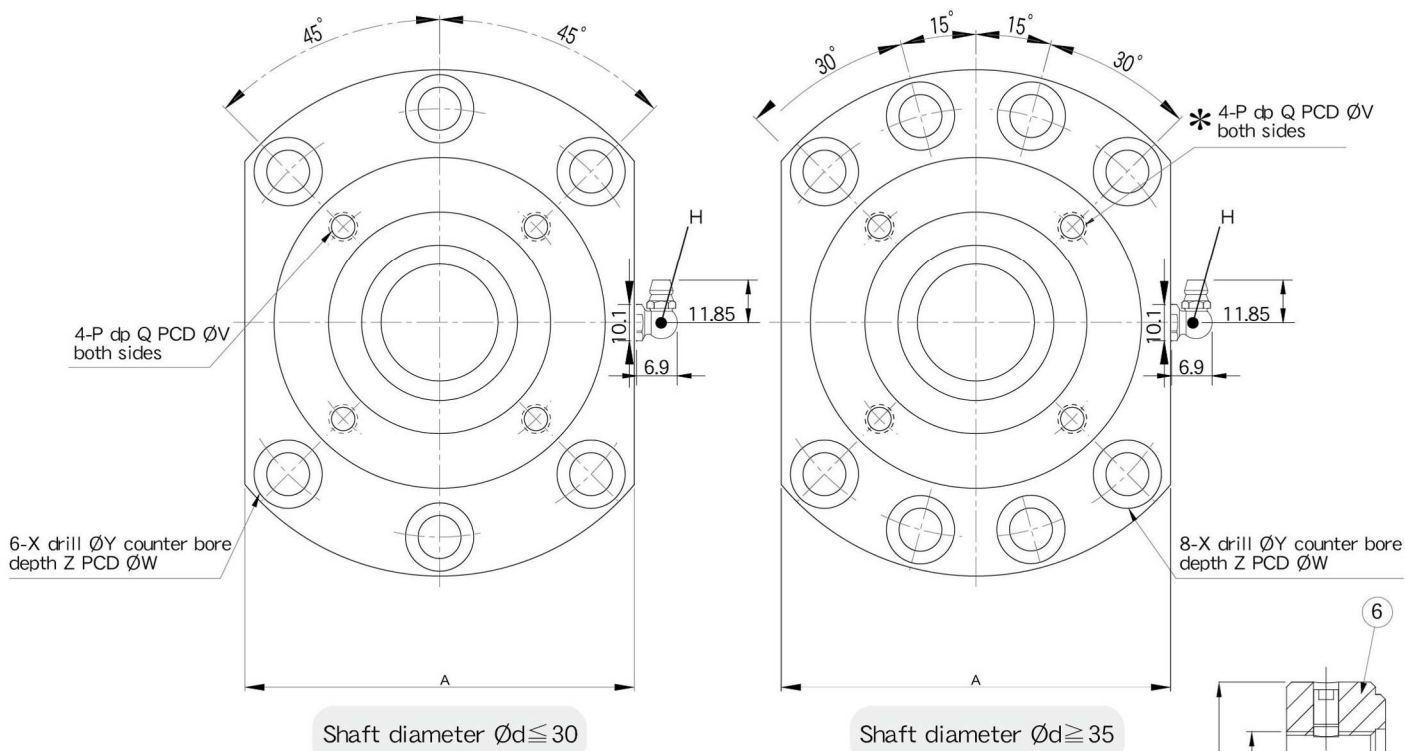


Unit : mm

Model No.	Dimensions of support unit																	
	d	D	D1	D2	L	L1	L2	A	W	X	Y	Z	d1	I	V	P	Q	H
WBK 17DF	17	70	106	72	60	32	15	80	88	9	14	8.5	45	3	58	M5	10	M6
WBK 20DF	20	70	106	72	60	32	15	80	88	9	14	8.5	45	3	58	M5	10	M6
WBK 25DF	25	85	130	90	66	33	18	100	110	11	17	11	57	4	70	M6	12	M6
WBK 25DFD					81	48												
WBK 25DFF					96	48												
WBK 30DF	30	85	130	90	66	33	18	100	110	11	17	11	57	4	70	M6	12	M6
WBK 30DFD					81	48												
WBK 30DFF					96	48												
WBK 35DF	35	95	142	102	66	33	18	106	121	11	17	11	69	4	80	M6	12	M6
WBK 35DFD					81	48												
WBK 35DFF					96	48												
WBK 40DF	40	95	142	102	66	33	18	106	121	11	17	11	69	4	80	M6	12	M6
WBK 40DFD					81	48												
WBK 40DFF					96	48												

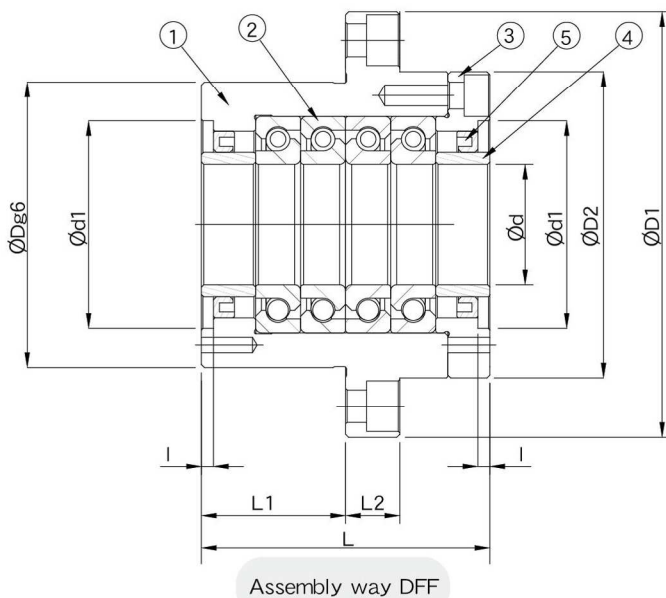
Note :

1. Inside bearings use Japanese & Taiwanese P4 grade TAC 60 degree contact ball bearing.
2. The standard type is without H, if required, please advise in advance.

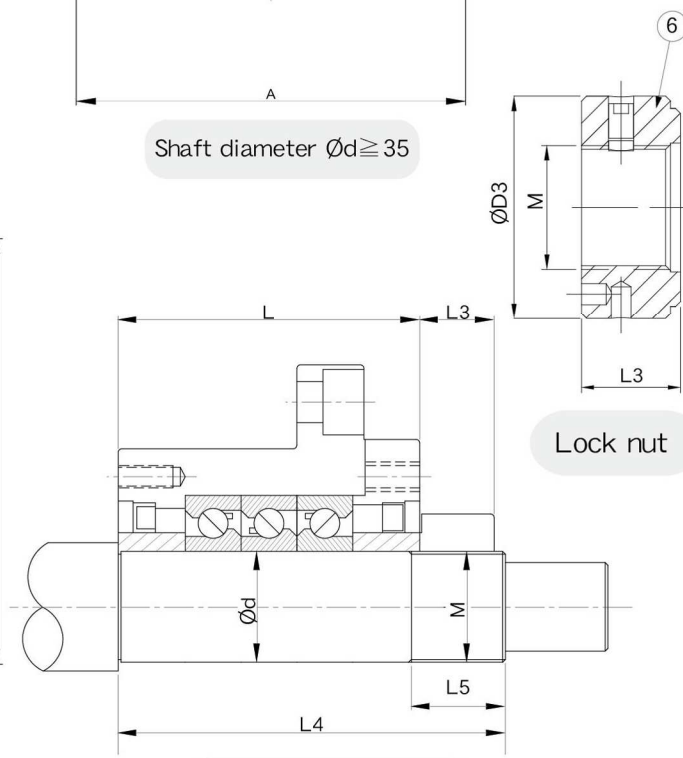


Shaft diameter  $\varnothing d \leq 30$

Shaft diameter  $\varnothing d \geq 35$



Assembly way DFF



Lock nut

Dimensions of shaft end

Unit : mm

Model No.	Basic dynamic load rating Ca (N)	limiting axial load (N)	preload (N)	axial rigidity (N/μm)	starting torque (N·cm)	permissible rotational speed (min <sup>-1</sup> )	Lock nut			Weight (Kgs)	Dimensions of shaft end		
							M	D3	L3		d	L4	L5
WBK 17DF	23000	26600	1450	630	19	6900	M17X1	36	18	2	17 <sup>-0.004</sup> <sub>-0.017</sub>	81	23
WBK 20DF	23000	26600	1450	630	19	6900	M20X1	40	18	2	20 <sup>-0.005</sup> <sub>-0.020</sub>	81	23
WBK 25DF	29900	40500	2280	850	28	5200	M25X1.5	45	20	3.27	89		
WBK 25DFD	48500	81500	3100	1250	39					3.81			
WBK 25DFF	48500	81500	4500	1680	49	4900	M30X1.5	50	20	4.46	119		
WBK 30DF	30500	43000	2400	890	29					3.18			
WBK 30DFD	50000	86000	3260	1310	39	4100	M35X1.5	55	22	4.3	119		
WBK 30DFF	50000	86000	4750	1760	51					3.79			
WBK 35DF	32500	50000	2750	1030	33	4100	M40X1.5	60	22	4.45	122		
WBK 35DFD	53000	100000	3740	1500	41					5.21			
WBK 35DFF	53000	100000	5490	2060	52	4100	M40X1.5	60	22	3.65	122		
WBK 40DF	33500	52000	2860	1080	34					4.27			
WBK 40DFD	54000	104000	3900	1590	43	55				5	122		
WBK 40DFF	54000	104000	5730	2150	55					92			

Note :

3. Dimensions with mark can be used for dust cover and damper installation.  
About its correct position, please contact SYK.