

PolIPUMP

Multi-outlet Grease Pump

User operation and Maintenance manual

Original instructions

ITALY

Dropsa SpA
t. +39 02-250791
f. +39 02-25079767

U.K.

Dropsa (UK) Ltd
t. +44 (0)1784-431177
f. +44 (0)1784-438598

GERMANY

Dropsa GmbH
t. +49 (0)211-394-011
f. +49 (0)211-394-013

FRANCE

Dropsa Ame
t. +33 (0)1-3993-0033
f. +33 (0)1-3986-2636

CHINA

Dropsa Lubrication Systems
(Shanghai) Co. Ltd
t. +86 (021) 67740275
f. +86 (021) 67740205

U.S.A.

Dropsa Corporation
t. +1 586-566-1540
f. +1 586-566-1541

AUSTRALIA

Dropsa Australia Ltd.
t. +61 (02)-9938-6644
f. +61 (0)2-9938-6611

BRAZIL

Dropsa do Brasil Ind. e
Com. Lta
t. +55 (0)11-563-10007
f. +55 (0)11-563-19408

TABLE OF CONTENTS

1. INTRODUCTION
2. GENERAL DESCRIPTION
3. PRODUCT IDENTIFICATION
4. TECHNICAL CHARACTERISTICS
5. COMPONENTS
6. UNPACKING AND INSTALLING
7. OPERATING INSTRUCTIONS
8. TROUBLESHOOTING
9. MAINTENANCE PROCEDURE
10. DISPOSAL
11. ORDERING INFORMATION
12. DIMENSIONS
13. HANDLING AND TRANSPORTATION
14. PRECAUTIONS
15. OPERATING HAZARDS



1. INTRODUCTION

This operation and maintenance manual refers to the **PoliPUMP** lubrication pump, and includes essential information regarding correct operating and safety procedures design to ensure safe and reliable operation of the unit.

You can obtain the latest release of this document by contacting a Dropsa sales office or distributor or by visiting us on the World Wide Web at <http://www.dropsa.com>.

It is important that this document is read and maintained in a place that anyone operating the **PoliPUMP** is able to consult it if necessary.

2. GENERAL DESCRIPTION

2.1. PUMP TO POINT LUBRICATION

Dropsa **PoliPUMP** is a quick and easy product that can lubricate friction points without the use of complex metering valves or system design. It provides an affordable, versatile and easy to use product for lubrication that in a few simple steps can be setup and is ready to go. **PoliPUMP** has many applications including vehicle, mobile, machine tools and any type of device or machinery that requires grease lubrication from 1 to 35 lubrication points.

2.2 CHARACTERISTICS

PoliPUMP contains a series of piston pumping elements driven by an eccentric CAM arrangement that provide positive displacement on the piston. It can be fitted with up to 35 pump elements (24 or 12 for smaller versions). The user can simply configure the standard pump that does not contain any pumping elements and install the designed pumping elements of their choice – simply selecting from 6 different pump element sizes accordingly.

The standard version is equipped with a 2 lt reservoir and a minimum level sensing mechanism.

The stirring paddle and wiper allow the grease to maintain good consistency, prevent separation, and eliminate air bubbles that may form in the grease as well as good pumping performance at low temperatures.

The pump is driven by a geared motor powered at 12 or 24 VDC. The built in controller allows you to select from 12 different timing settings (see par. 7.4).

2.3 VERSIONS

PoliPUMP is available in two versions: with **follower plate** for grease and NRUN automotive version ,

The follower plate required with viscous grease and when the pump needs to be able to operate in any orientation, including a fully inverted position.

The NRUN version is equipped by a connection with general qualification that allows the pump to work at some time with submitted machine. So it is possible to synchronize the lubrication cycles when the vehicle is turned on.

For example, connecting the NRUN signal to ignition key of the vehicle the lubrication cycles are enabled only if the machine is turned on. When switching off the vehicle/machine the pump will suspend. This means that when the pump is switched on again it will resume from its previous point.

3. PRODUCT IDENTIFICATION

On the side of the pump there is a label that indicates part number of the product, operating voltage and basic characteristics.



4. TECHNICAL CHARACTERISTICS

GENERAL TECHNICAL CHARACTERISTICS					
Pumping system	Single acting pump elements with cam activation				
Drive assembly	DC motor with gearbox				
Motor operating voltage	12V DC	24V DC			
Electronic Protection threshold for motor overload	0.6 A				
Nett weight	3 Kg (6.6 lb)				
Number of outlets / pumping max.	12 – 24 – 35				
Output connection (pumping outlet)	Push-in for Ø4 (5/32 in)				
Nominal output per pump element*	0,02cc/strokes – RED (1 notch) 0,03 cc/ strokes – GREEN (2 notches) 0,04 cc/ strokes – YELLOW (3 notches) 0,08 cc/ strokes – BLUE (4 notches) 0,10 cc/ strokes – GREY (5 notches) 0,13 cc/ strokes – BLACK (6 notches)				
Max pressure achievable at the outlet of the pumping	80 bar**				
Reservoir Capacity	Standard version	2 L (0.53 US gallons- 0,44 UK Gallons)			
	Version with follower plate	4 L (1.06 US gallons- 0,88 UK Gallons)			
Grease capability	NLGI00 ÷ NLGI2				
Protection grade	IP 65				
Operating temperature	-10°C ÷ +60°C (14°F ÷ +140°F)				
Storage temperature	-20°C ÷ +80°C (-4°F ÷ +176°F)				
Humidity	90%				
Noise	< 70 db (A)				
Minimum level signalling/counting revolution	With Hall effect sensor				
CONTROL PANEL CHARACTERISTICS					
Working voltages	12VDC – 24VDC				
Operating temperature	-10°C ÷ +60°C (14°F ÷ +140°F)				
Storage temperature	-20°C ÷ +80°C (-4°F ÷ +176°F)				
Hardware characteristics	<ul style="list-style-type: none"> • Motor Overload protection • Input power protection • Remote Alarm signal • Completed Cycle control sensor 				
Relay alarm contact	NC (opens in alarm) – I max 5A - Vmax 250V – Pmax 60W				
TECHNICAL CHARACTERISTICS CONNECTOR					
P/N Connector (type)	Nominal Voltage.	N° Poles	Cross section max.	IP	Max. A
0039975 (MPM 203)	250V-300V	3+ $\frac{\perp}{\perp}$	1mm ²	65	10A



WARNING: Do not operate the unit outside the specified voltage ranges.



*** NOTE:**

Pump output has been determined at the following conditions: Grease, NLGI 00, Standard environmental conditions (Temperature 20°C / 68°F, Pressure 1 ATM), Back pressure on outlet 5bar (72.5 psi).

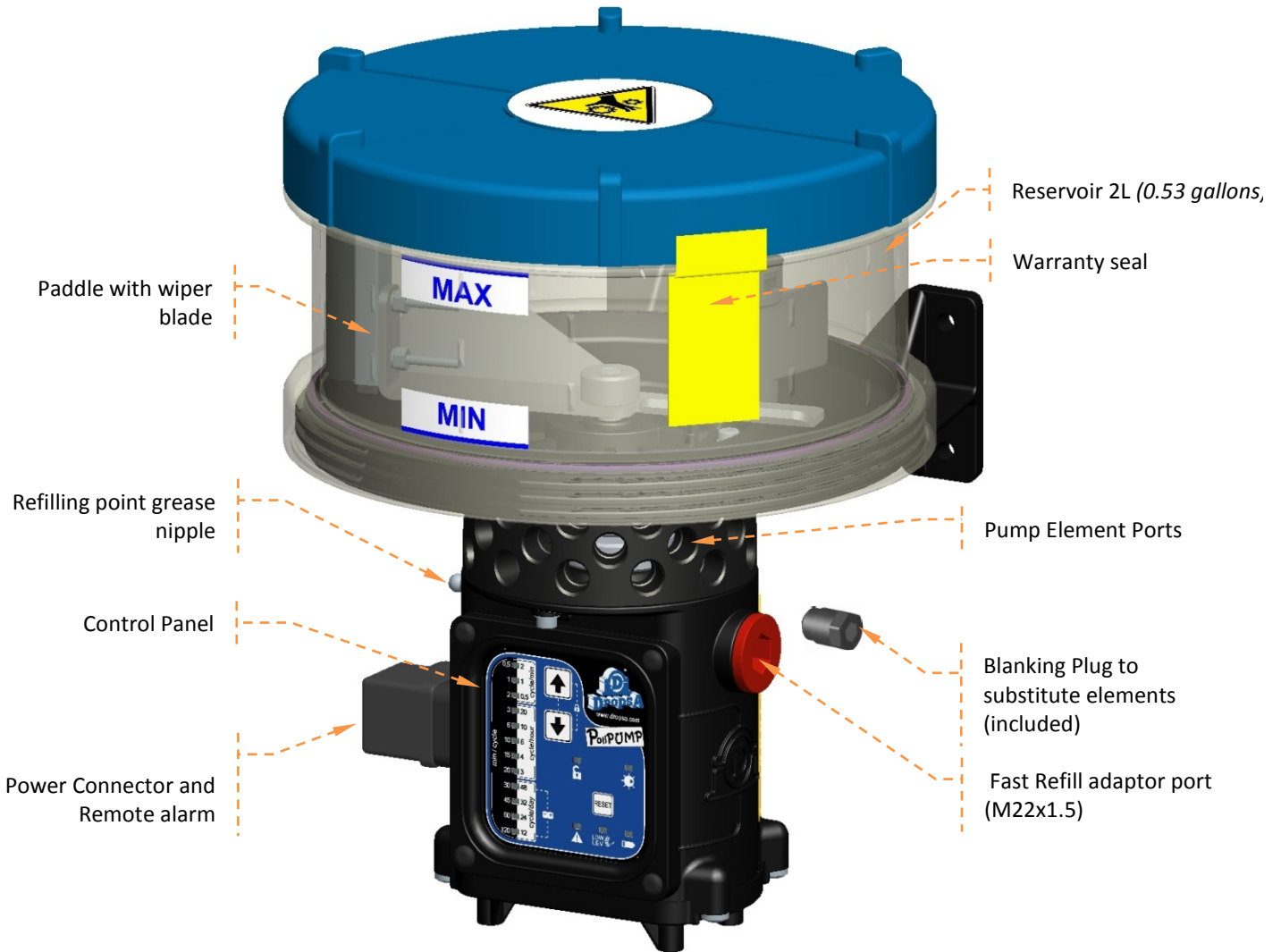
**** NOTE:**

The data refers to the maximum operating pressure of each pumping.

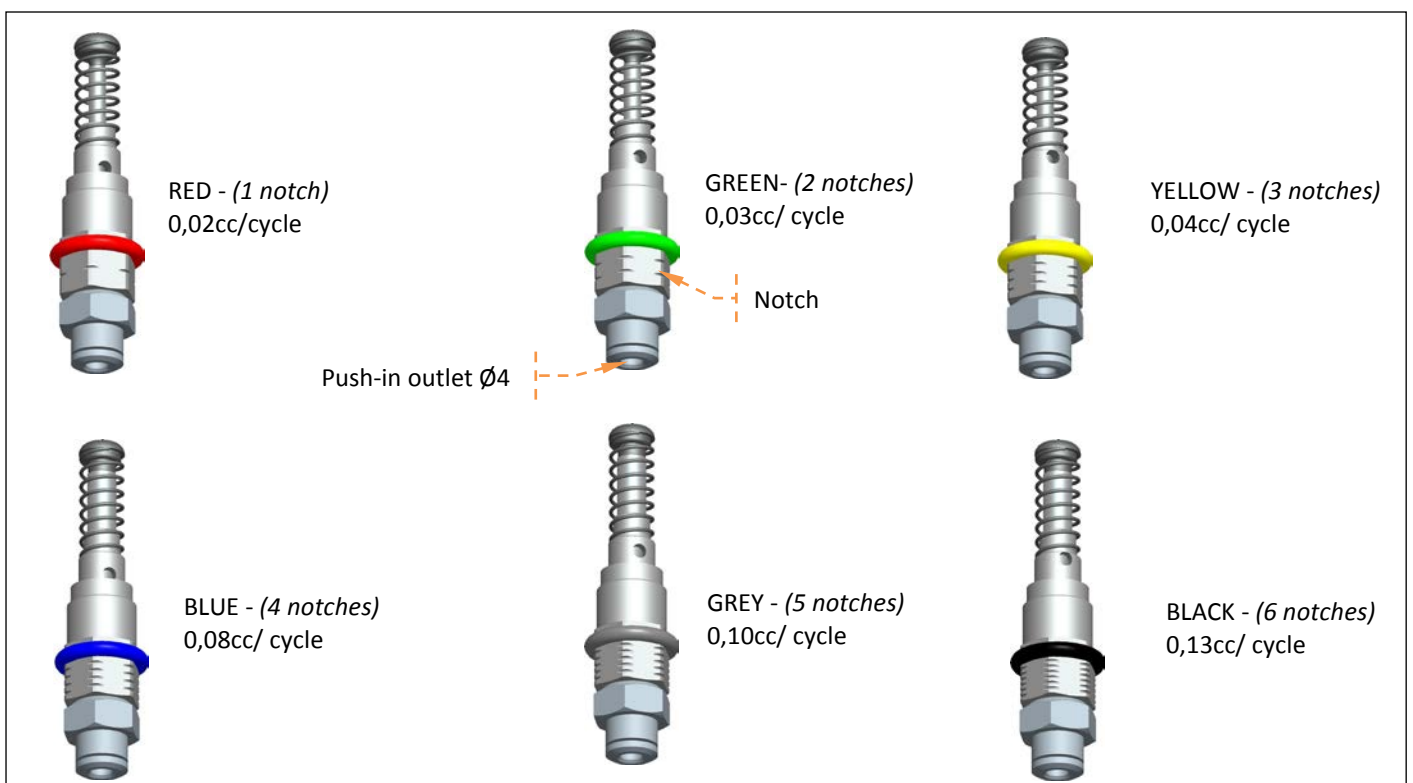
Maximum pressure that can be delivered by the pump is a function of several variables (number of pumping elements used, type of grease, operating temperature, see par. 7).

5. PUMP COMPONENTS

PoliPUMP (standard)



PUMP ELEMENTS



PoliPUMP (with follower plate)



6. UNPACKING AND INSTALLING

6.1 UNPACKING

Once a suitable installation position has been identified, unpack the pump and prepare for installation. It is important to inspect the pump to ensure that there has been no damage during transportation. The packaging material used does not require any special disposal procedures. You should refer to you regional requirements.

6.2 PUMPING ELEMENT AND BLANKING PLUG INSTALLATION

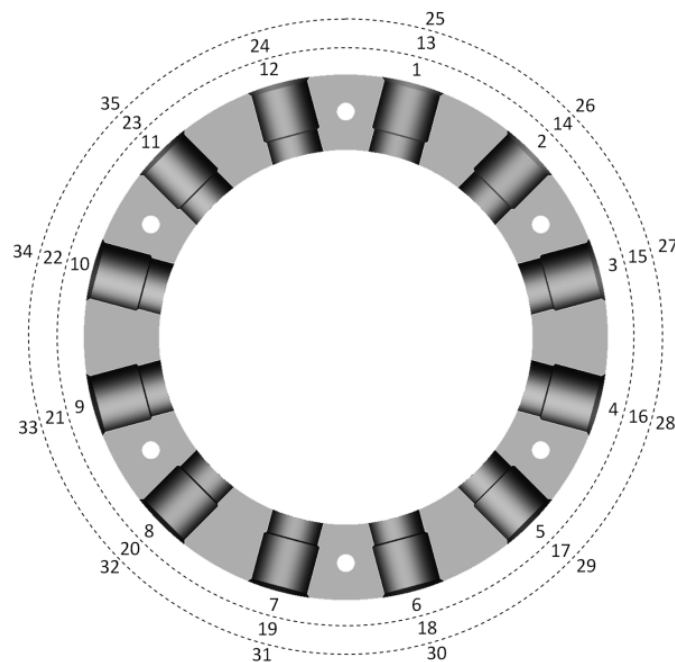
Pumping elements are not included with the pump they must be ordered and installed prior to use according to how you want to configure your pump system. Each Pump element is colour coded to represent the discharge volume and is simply screwed into the outlet port manifold. Any unused ports must be closed off with the blanking plugs (included with bare pump).

To assemble the pumping elements, proceed as follows:

- Identify the best installation position and distribute them evenly in the ports on pumping case cylindrical manifold.

N°	MOUNTING POSITION	N°	MOUNTING POSITION	N°	MOUNTING POSITION
1	1	13	13	25	25
2	1-7	14	13-19	26	25-31
3	1-5-9	15	13-17-21	27	25-29-33
4	1-4-7-10	16	13-16-19-22	28	25-28-31-34
5	1-2-4-7-10	17	13-14-16-19-22	29	25-26-28-31-34
6	1-3-5-7-9-11	18	13-15-17-19-21-23	30	25-27-29-31-33-35
7	1-2-4-5-7-9-11	19	13-14-16-17-19-21-23	31	25-26-28-29-31-33-35
8	1-2-4-5-7-8-10-11	20	13-14-16-17-19-20-22-23	32	25-26-28-29-31-32-34-35
9	1-2-3-5-6-7-9-10-11	21	13-14-15-17-18-19-21-22-23	33	25-26-27-29-30-31-33-34-35
10	1-2-3-4-5-6-7-9-10-11	22	13-14-15-16-17-18-19-21-22-23	34	25-26-27-28-29-30-31-33-34-35
11	1-2-3-4-5-6-7-8-9-10-11	23	13-14-15-16-17-18-19-20-21-22-23	35	25-26-27-28-29-30-31-32-33-34-35
12	1-2-3-4-5-6-7-8-9-10-11-12	24	13-14-15-16-17-18-19-20-21-22-23-24		

Pumping elements positioning



- Screw the pumping elements and tighten to 10 Nm torque using a 12mm wrench.
- Screw the blanking plugs in the remaining holes with 10 Nm torque using a 12mm wrench or a 6 mm allen wrench.



ATTENTION: Be careful when inserting the pumping element, ensuring that the thread is correctly engage to avoid any damage.

6.3 INSTALLING THE PUMP

- Using the Ø6, 5mm (0.256in) holes and 4 suitable screws place the pump and fix to its support.
- Assemble the pump so that the filling point and the control panel are accessible by the user.
- Allow 100mm (4 inches) perimeter distance around the pump for easy access.
- Ideally, install the pump at a height that is easily and comfortably accessible by the user to facilitate maintenance and refilling.
- Do not install the pump where it may be submerged by liquids or in an excessively aggressive environment.
- Do not install the pump in hazardous areas where there may be flammable or explosive materials.
- Do not install near strong heat sources or electrical areas that may cause electrical interference with the control system.
- Ensure that tubing and wiring is appropriately secured and protected.
- Verify that the lubricant used is suitable for the working temperature, especially for temperature below 0°C. In case of doubts please contact our Technical Sales office for the correct choice of lubricant.

6.4 PUMP TO POINT GREASE LINE CONNECTIONS

The Grease lines are easily connected using 4mm nylon tube. One tube per lubrication point should be used. Simply push the tube into the pumping element that is equipped with a push in fitting.

Additionally there is a M22x1 port for connecting the Dropsa FAST REFILL adaptor (highly recommended). Alternatively this can be used as a remote fill line. Always ensure proper clean and filtered grease is used with the pump.



WARNING: Tubing must reach the lubrication point in shortest path.

6.5 ELECTRICAL CONNECTIONS

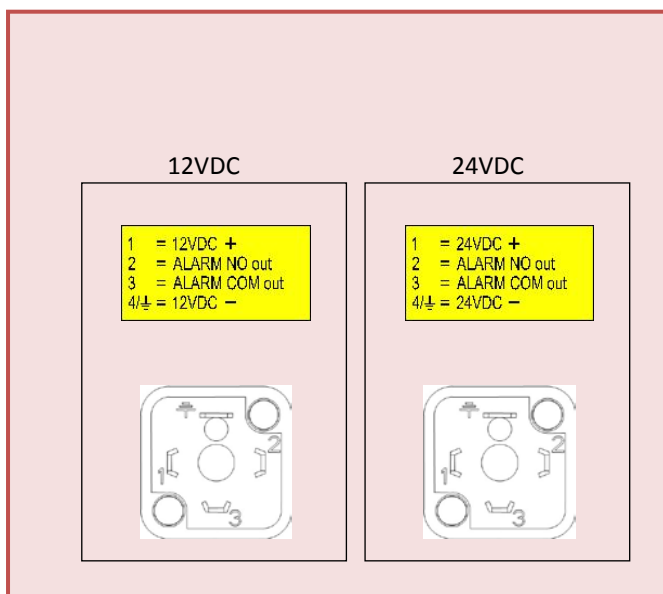


CAUTION: Before carrying out any electrical wiring you should verify the label on the pump to ensure that the correct operating voltage is being used and ensure that all power is removed.

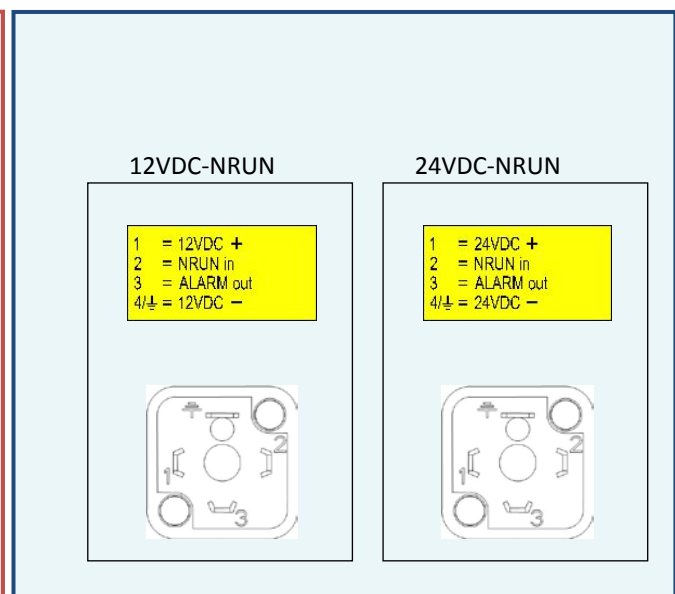
The user must provide electrical power connections ensuring correct Voltage as indicated on the label. Additional connections can be made for general remote alarm relay (or ENABLE NRUN and remote 5V alarm for automotive models - see par. 6.5.1) Connect the pump to the power supply as shown on the pump label located next to the connector. Ensure the power cable is suitable for the voltage and current used and complies with all electrical regulations.

6.5.1 Connection Diagrams

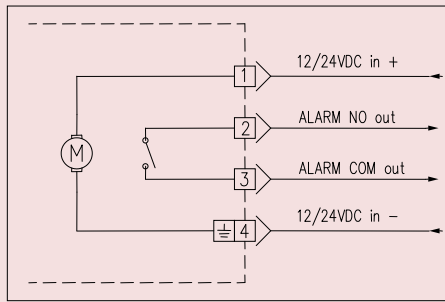
Standard Connection



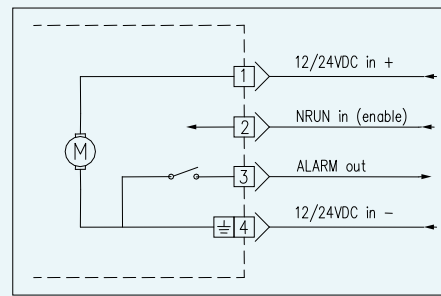
Connection with general enabling



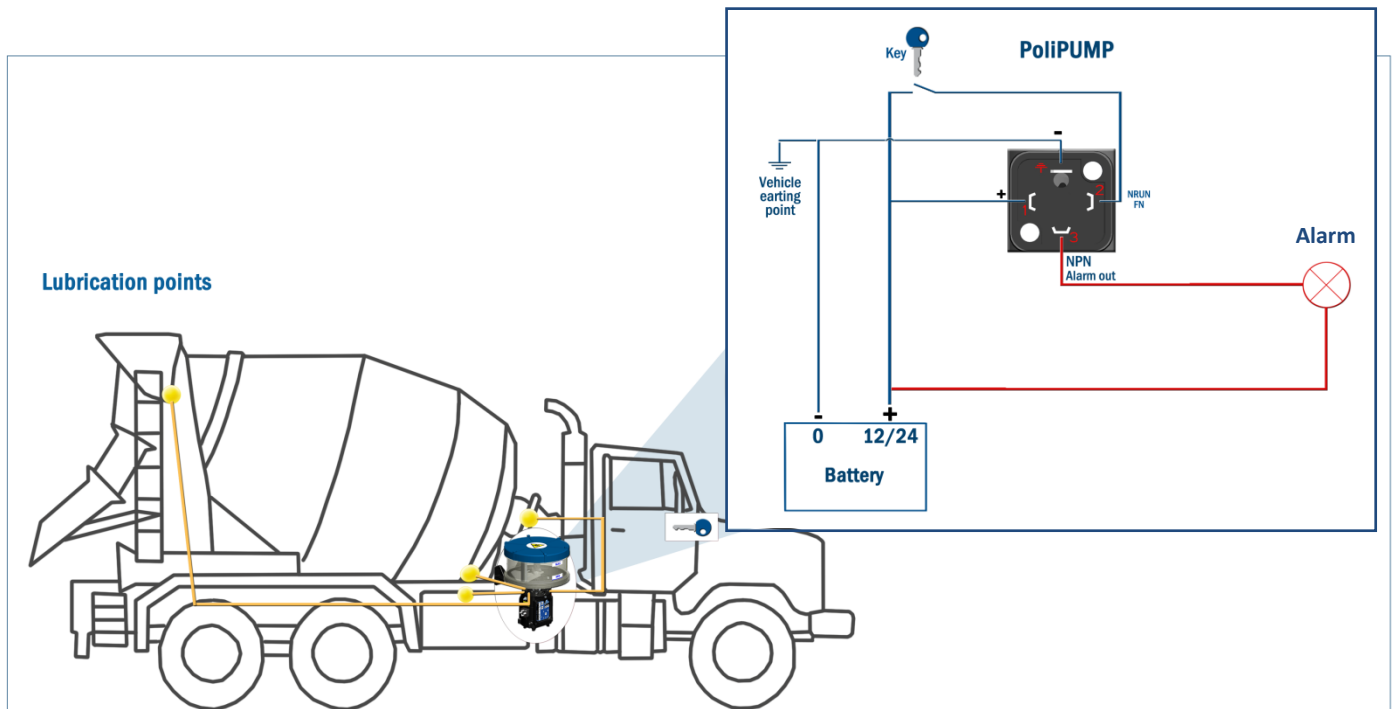
Connection **without** NRUN general enable



Connection **with** NRUN general enable



Automotive version **NRUN**: Connection with general enabling (NRUN) is used to operate the pump with the host machine. The pump will only operate when the enable signal is present otherwise it will remain in a standby mode indefinitely. The Automotive **NRUN** version is recommended for use on vehicles.



The above example shows the wiring connection of the PoliPUMP with a standard vehicle. The example includes an alarm indication lamp. When the vehicle is ON the PoliPUMP is ON. When the vehicle is OFF the PoliPUMP suspends operation. Suspend means that when the vehicle is switched ON again, the PoliPUMP will resume from its previous point.

7. OPERATING INSTRUCTIONS

7.1 BEFORE PUTTING INTO OPERATION

- Note that the unit should not be dismantled by the user if a fault is found.
- Use gloves when handling lubricants and ensure you have checked the lubricant safety data sheet.
- Do not use lubricants that are incompatible with NBR (Buna) seals.
- Ensure that you have complied with all health and safety requirements before putting the pump into service.
- Maintain proper hygiene standards. Never ignore any potential danger to health.
- Ensure all tubing and fittings are designed to handle the maximum system pressure.
- Check integrity in the pump. Ensure no damage;
- Check and fill the reservoir. If the reservoir is below the MIN level, follow procedure 7.3 to refill;
- Verify the pump is at the correct operating temperature and tubing is free of air bubbles;
- Check the unit is properly cabled.

To determine the maximum operating pressure it is necessary to know the pressure drop of the pipes connected to the pumping elements.

The following diagram shows the pressure drop of the delivery pipe per length unit, according to the temperature and type of lubricant (in this case NLGI 00 grease with 160 cSt base oil and NLGI 2 with oil 180 cSt base).

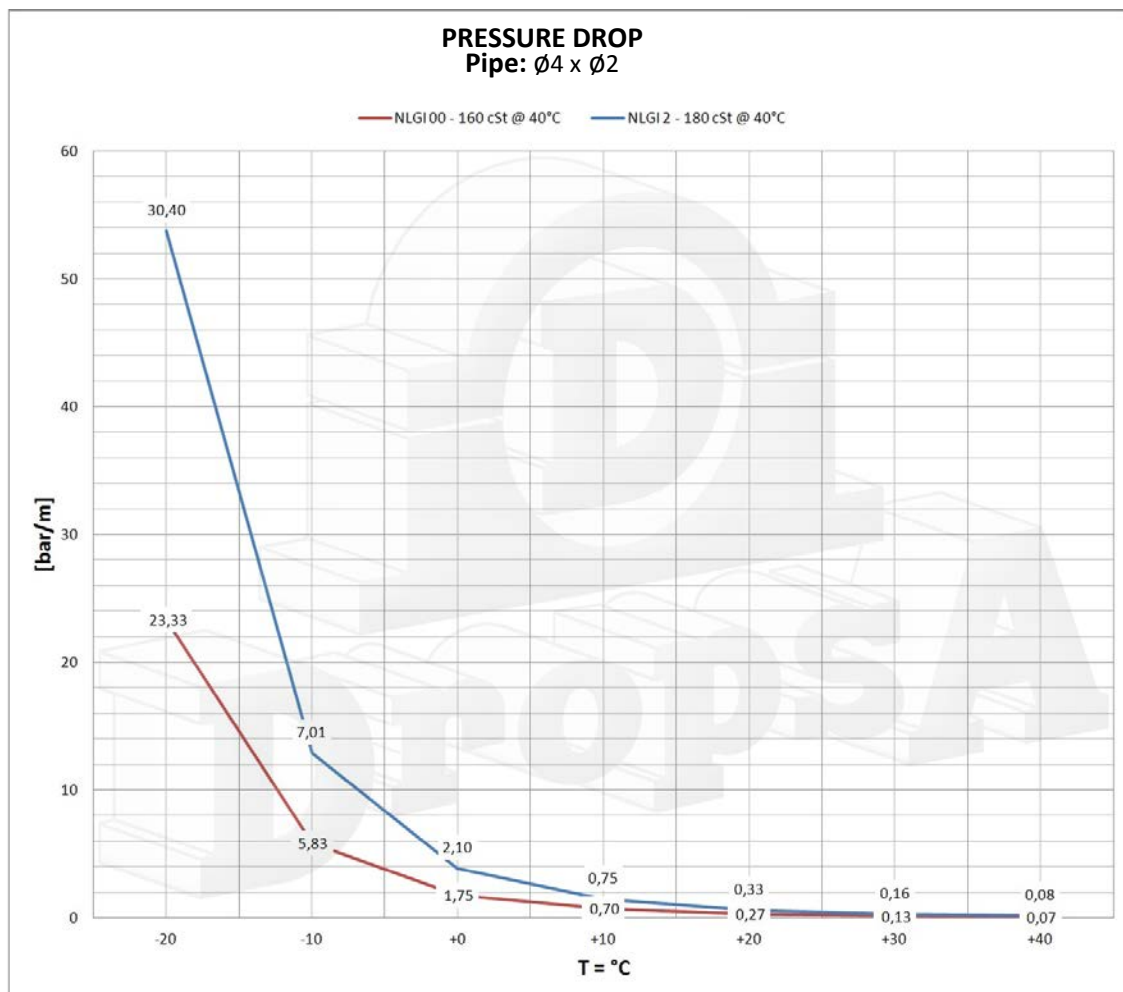
To ensure a fully functional system it is always necessary to verify that the pressure drop of the pipe added to the pressure required at the lubrication point does not exceed the maximum pressure that can be generated by the pump.

The maximum pressures reached at the pump outlet are the following:

1÷12 pumping elements = 80 bar (1160 psi)

13÷24 pumping elements = 50 bar (725 psi)

25÷35 pumping elements = 35 bar (507 psi)



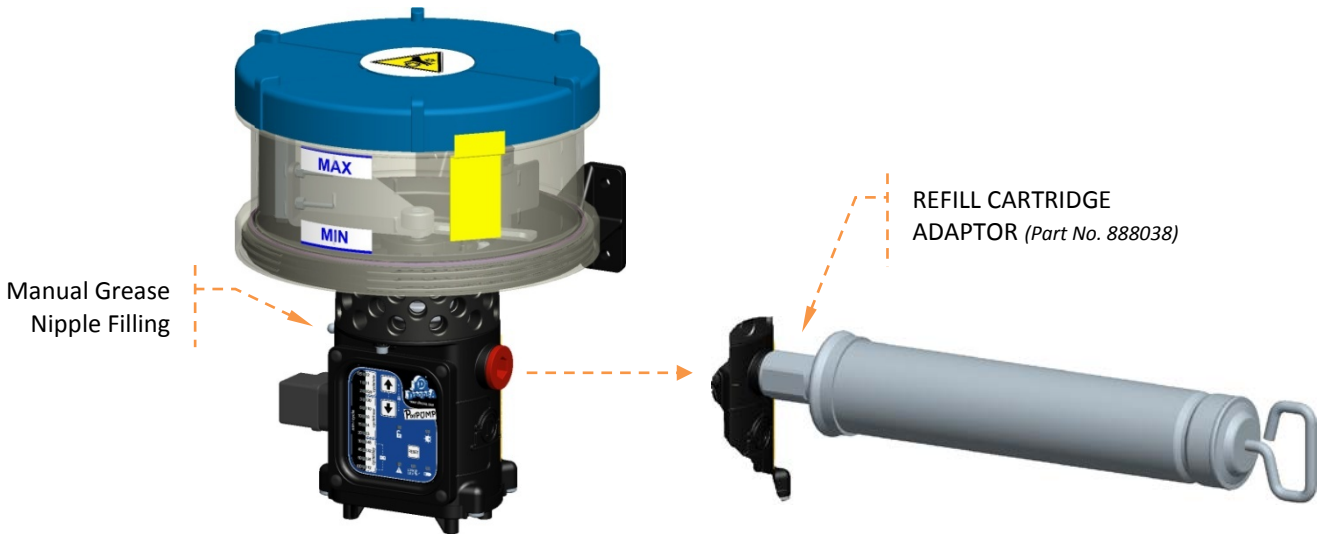
7.2 OPERATION

- Check and set the timer selection.
- Ensure remote enable is activated on Automotive NRUN version
- Check that the pump is running.
- Check lubricant is being delivered to the greasing points as necessary.

7.3 REFILLING THE RESERVOIR

Ensure that all ports have been occupied either by pump elements or blanking plugs.

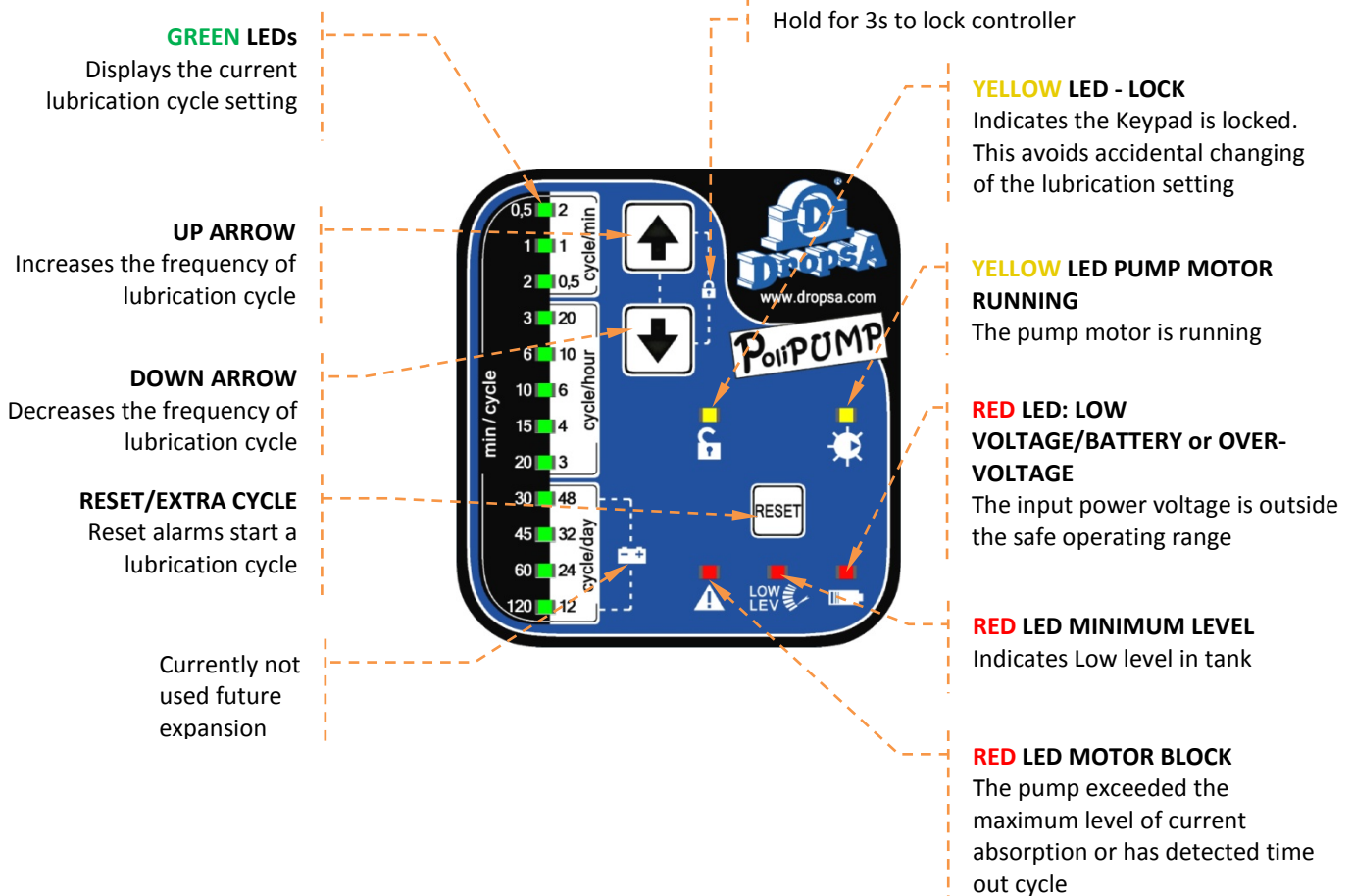
The refilling of the tank is carried out through the dedicated filling ports with adequate filtration to ensure clean lubricant. Continue to fill unit until the max level is reached this level should not be exceeded. In the event the user overfills the tank, the excess lubricant will be expelled through vent holes located under the lid.



WARNING: to avoid introducing contamination into the pump and voiding the warranty ensure that refilling is always carried out through the designated ports using clean grease. Refer to 14.2 for more information about lubricant characteristics.

7.4 CONFIGURATION

Control display layout



7.4.1 Setting the Lubrication Cycle

The integrated control board manages the timing, start and stop of the lubrication cycle according to the setting selected by the user using the UP and DOWN **ARROWS**. The default setting is 2 cycles/min.

The lubrication frequencies available are:

- Cycles per minute: 0.5 – 1 – 2* ** to be used only for filling purposes*
- Cycles per hour: 3 – 4 – 6 – 10 – 20
- Cycles per day: 12 – 24 – 32 – 48

Alternatively, expressed in minute between cycles:

- Lubrication interval: 0,5* – 1 – 2 – 3 – 6 – 10 – 15 – 20 – 30 – 45 – 60 – 120 minutes

Once cycle means one injection of grease from each of the pumping elements installed. The pump will complete one full rotation.

7.4.2 Cycle Monitoring and Minimum Level Signalling

A Magnetic sensor installed inside the control system monitors the rotation of the cam that activates the pump modules. This allows the **PolIPUMP** to know exactly one rotation and therefore one cycle. Additionally the paddle that rotates will position itself differently in the absence of grease, thereby providing a low level alarm.

The Low level alarm is not cleared by powering the unit off and back on. The only way to clear the low level signal is to press the RESET button on the pump. This will run a lubrication cycle and position the paddle in order to correctly monitor if the grease has been replenished in the reservoir.

7.4.3 Cycle Start synchronization

When the system first starts the pump performs the first lubrication cycle. The position of the pump cam is not known and may not necessarily be in its predetermined start/stop position.

The control system, on first cycle will move the pump cam to the start /stop position. This is known as cycle synchronization. After the first cycle the pump will always start and finish a lubrication cycle from its predetermined start position.

In the event of a power failure the cycle will resume from where the power failed and complete the lubrication cycle by bringing the pump cam to the predetermined start/stop position.

7.4.4 Performing a manual or additional lubrication cycle.

Should it be required, press the Reset button when the pump is not operating to run an additional lubrication cycle.

7.4.5 Alarm and Over-load protection


The built in control system manages the following alarms:

- Minimum level
As described in par. 7.4.2, the Alarm LED is lit.
- Time out cycle
If no sensor signal is received within one minute an alarm condition occurs and the pump is stopped.
- Motor block
The motor is absorbing too much current and it likely blocked. The Motor block LED is lit. Pump will not continue until Reset is pressed.
- Low voltage/battery low
If the input voltage is too low (for example discharged battery power) the battery LED is lit. Once power is restored to the minimum supply voltage the pump will continue. A reset is not necessary.
- Over-voltage condition
If the input voltage exceeds the maximum safe working voltage of the pump the pump will not activate. The battery LED will blink until the voltage returns within valid operating range. The pump will restart by itself. A reset is not necessary.


7.4.6 Keyboard Lock/unlock

After setting the desired lubrication cycle, you can lock the keyboard by pressing the Up Arrow and Down Arrow buttons for 3 seconds, to unlock repeat the same operation. This prevents unintentional modification of the lubrication cycle.

7.4.7 Disabling and Enabling the Minimum level sensor (from fw 1.15 version)

If you need to disable the minimum level alarm from Press Reset and down arrow.
The alarm LED  (motor block LED) will blink for about 3 seconds confirming the setting, after which you can release the buttons. In this mode, the pump signals the minimum level via corresponding blinking LED and switching the remote alarm signal but continues to operate normally according to the cycle time setting.



To re-enable the minimum level alarm press and hold the Reset button and up arrow. The alarm LED  (motor block LED) blinks for about 3 seconds, after which you can release the buttons.







*** NOTE:** In case there is an alarm for over / under voltage during the 3 seconds required to enable/disable the minimum level, the fault LED will not blink but remain lit.



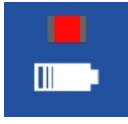
8. TROUBLESHOOTING

Below is a trouble shooting table to show possible problems and solutions.

If you are in any doubt about the correct solution to fixing a problem, do not dismantle parts of the PoliPUMP but contact an Authorized Dropsa Sales and Service Point for technical assistance.

TROUBLESHOOTING TABLE		
PROBLEM	POSSIBLE CAUSE	REMEDIAL ACTION
Pump Motor does not operate	Power missing.	Check the power lines, ensure that any fuse installed is still intact.
	Electronic Controller does not function	Replace electronic card 
	Geared motor no longer works	Replace gear motor assembly 
	Working temperature is too low for the type of grease used.	Pre-heat the lubricant with a heating band on the reservoir Replace the lubricant with a suitable one for the pumpability at low temperatures.
Pump is operating but no lubricant reaches points	Tubing is disconnected	Check the condition of tubing in the system and ensure that it is correctly secured and not blocked for example, by hardened grease.
Lubricant does not reach lubrication points on each pump cycle or irregularly	Incorrect setting of the cycle time.	Select a more frequent lubrication cycle.
No lubricant from pump	Reservoir is empty	Refill, and verify if any low level alarm is activated
	Air bubble in grease	Disconnect the primary tubing from the pump and operate a lubrication cycle. Check that clean, air free grease is coming from the pump and then reconnect the tubing.
	Incompatible lubricant	Some lubricants are not suitable for automatic pumping systems. Replace the grease.
	Blocked pumping element	Dismantle the pumping element and check for contamination. Clean and reinstall or repalce
	Worn pump element	Replace pump element
	Pump element Check worn	Replace pump element
The pump starts the lubrication cycle but then immediately stops	Defective or blocked Pump motor.	Allow the pump to cool. Retry the lubrication cycle. If the problem persists It will be necessary to replace the pump motor assembly 
	Working temperature is too low for the type of grease used.	Pre-heat the lubricant with a heating band on the reservoir Replace the lubricant with a suitable one for the pumpability at low temperatures.

 : Allowed only for specialised Dropsa's staff when returned for repair (send the product to Dropsa).

ALARM CODES		
LED	ALARM	REMEDY
	Gear motor overload	Leave the motor to cool for a few minutes and try again. Check to see that the pump is operating normally and there is no contamination in the tank that may be blocking the motor.
	Cycle does not perform in predetermined maximum time.	Check the motor is free to operate and there is no contamination in the reservoir. Replace the sensor or damaged gear motor if necessary. Customers are advised to contact a registered Dropsa dealer.
	Low lubricant level in reservoir	Refill with clean lubricant.
	Input Voltage outside permitted range	If using a battery, check the charge on the battery and replace if necessary.
		Check that the supply voltage is not outside permitted thresholds.



NOTE: To cancel alarm messages push "Reset".

9. MAINTENANCE PROCEDURE



WARNING: Before carrying out any maintenance operation, ensure that power and hydraulic system are disconnected.

The pump does not necessitate any special tool for operation and maintenance. When working with the pump it is nonetheless recommended that personal health and safety equipment is used as is normal for any operation in an industrial or similar workplace.

The pump has been designed and built as to require minimal maintenance and operate in different and challenging operating environment. It is recommend that the unit is inspected and kept clean to ensure long life and trouble free operation. It is important to check all tubing on the system to ensure that it is always tight and leak free.

9.1 Programmed and operational Maintenance

The following operations should be performed on the pump.

ITEM	FREQUENCY	OPERATION
Integrity of tubing and system	After initial 500 hours. Every 1500 hours.	Check fittings and tubing secured. Verify components are correctly fixed to machine.
Reservoir level	As needed.	Top up level with clean lubricant.
Filling Filter	As needed, or once per year.	Check and replace as necessary.

10. DISPOSAL

During maintenance or disposal of the machine care should be taken to properly dispose of environmentally sensitive items such as oils or other lubricants. Refer to local regulations in force in your area. When disposing of this unit, it is important to ensure that the identification label and all the other relative documents are also destroyed.

11. ORDERING INFORMATION

STANDARD PUMP					
N° Max. PUMPING	POWER				
	12VDC Industrial	24VDC Industrial	12VDC Automotive (NRUN)	24VDC Automotive (NRUN)	
12	0888270	0888273	0888276	0888279	
24	0888271	0888274	0888277	0888280	
35	0888272	0888275	0888278	0888281	
PUMP WITH FOLLOWER PLATE					
N° Max. PUMPING	POWER				
	12VDC Industrial	24VDC Industrial	12VDC Automotive (NRUN)	24VDC Automotive (NRUN)	
12	0888282	0888285	0888288	0888291	
24	0888283	0888286	0888289	0888292	
35	0888284	0888287	0888290	0888293	
PUMPING					
FLOW RATES					
0,02cc/ cycle	0,03cc/ cycle	0,04cc/ cycle	0,08cc/ cycle	0,10cc/ cycle	0,13cc/ cycle
0888451	0888452	0888453	0888454	0888455	0888456

OPTIONAL

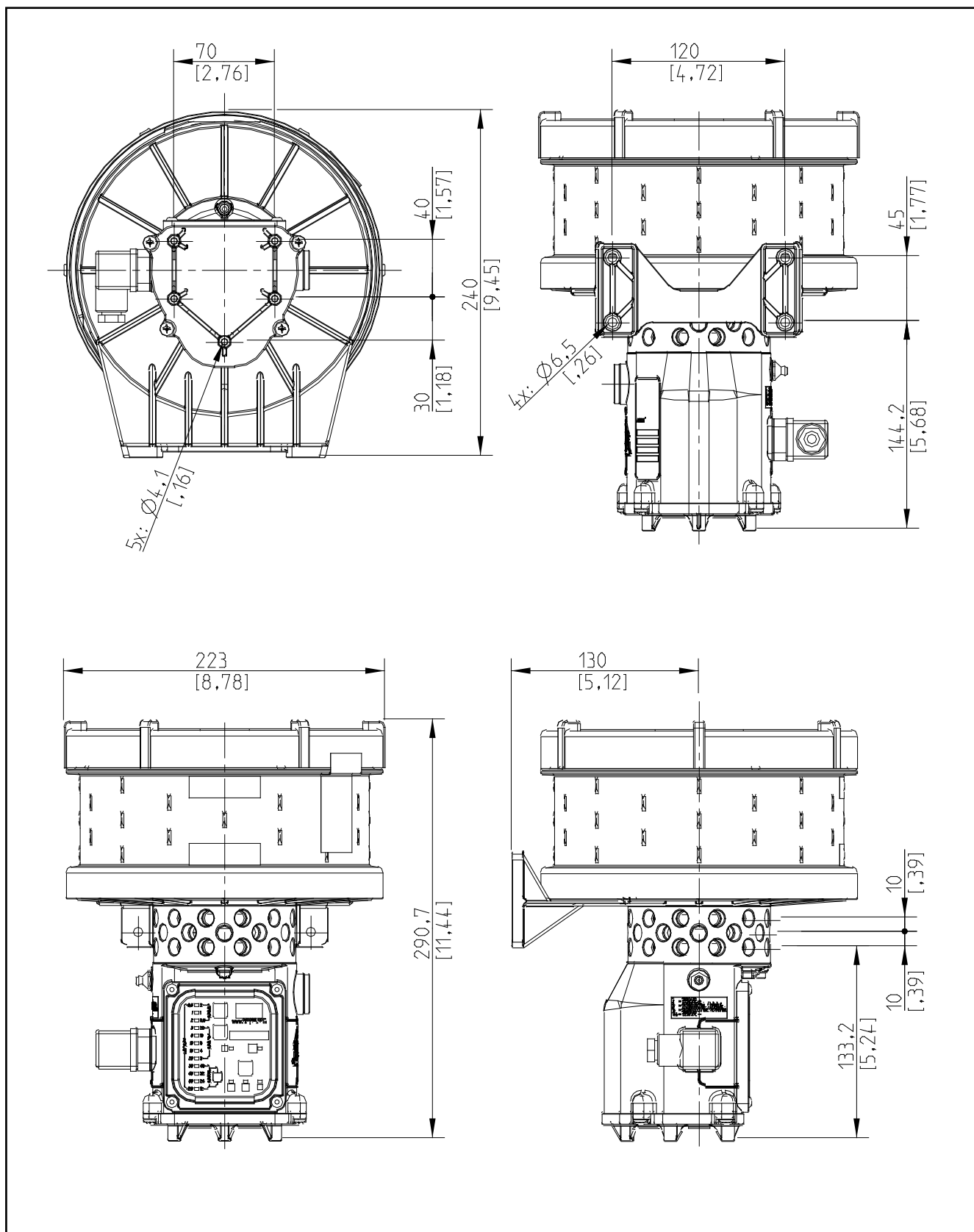
PART NUMBER	DESCRIPTION	PART NUMBER	DESCRIPTION
5717300	Ø4x3 Nylon Tube (low pressure) Clear 100 m coil	0888038	Grease cartridge filling kit
5717218	Ø4x2 Nylon Tube - Clear 100 m coil	3133723	Grease cartridge filling kit with valves
5717258	Ø4x2 Nylon Tube - Black 25 m coil	0888386	Clamping kit (only for version with follower plate)
5717259	Ø4x2 Nylon Tube - Black grease filled NLGI 00 25 m coil		

SPARE PARTS

PART NUMBER	DESCRIPTION	PART NUMBER	DESCRIPTION
0888257	Blanking Plugs for unused pump elements	3130022	Replacement filling filter
0888116	Reservoir (standard)		

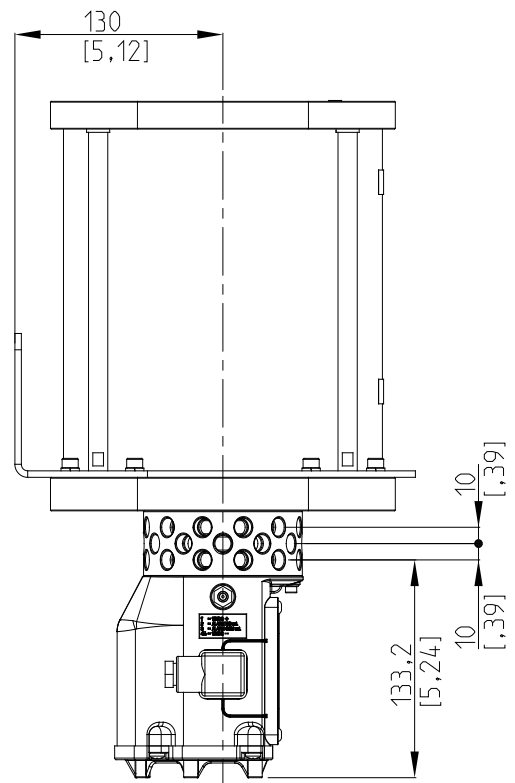
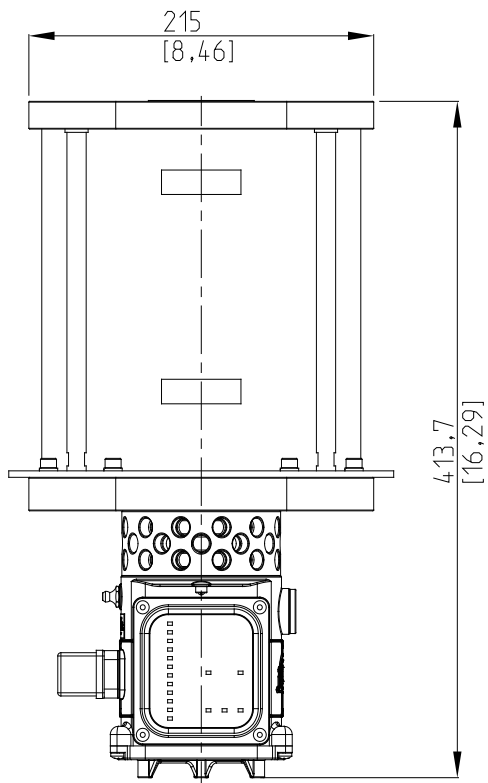
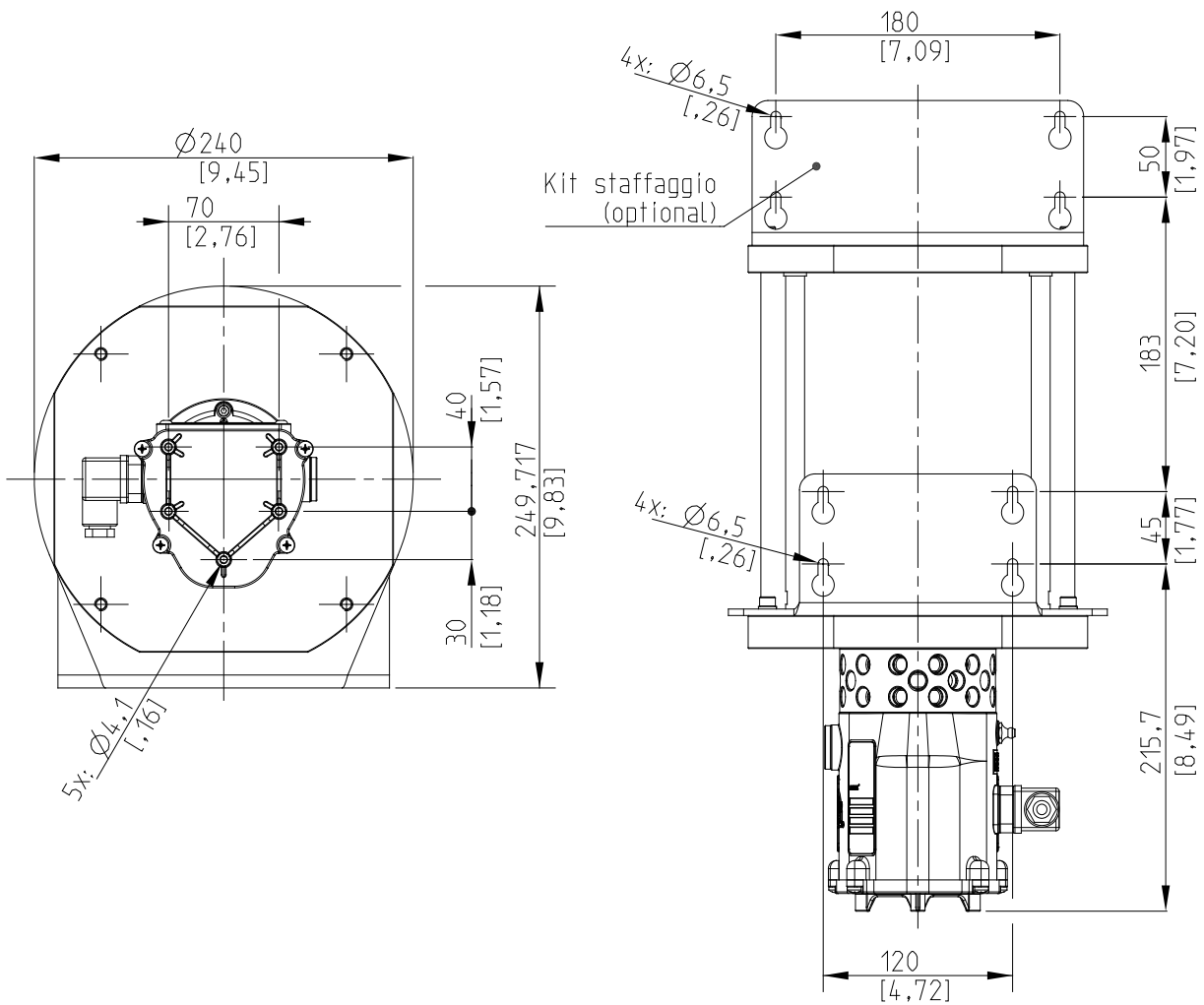
12. DIMENSIONS

PoliPUMP (standard)



Dimensions in mm [in].

PoliPUMP (with follower plate)



Dimensions in mm [in].

13. HANDLING AND TRANSPORTATION

Prior to shipping, the equipment is carefully packed in cardboard package. During transportation and storage, always maintain the pump the right way up as indicated on the box. On receipt check that package has not been damaged. Then, store the machine in a dry location.

14. PRECAUTIONS



WARNING: It is necessary to carefully read about the instructions and the risks involved in the use of lubrication machines. The operator must know the machine functioning through the User and Maintenance Manual.

Power supply

Any type of intervention must not be carried out before unplugging the machine from power supply. Make sure that no one can start it up again during the intervention.

All the installed electric and electronic equipment, reservoirs and basic components must be grounded.

Flammability

The lubricant generally used in lubrication systems is not flammable. However, it is advised to avoid contact with extremely hot substances or naked flames.

Pressure

Prior to any intervention, check the absence of residual pressure in any branch of the lubricant circuit as it may cause oil sprays when disassembling components or fittings.

Noise

Pump produces noise, not more than 70 dB(A).

14.1 LUBRICANTS



NOTE: The pump has been designed to operate with grease max NLGI 2.

Always use lubricants compatible with NBR (Buna) Rubber seals.

Any residual lubricant found on new units is residual NLGI 2 test grease used during the assembly of the pump.

The following is a comparison table between NLGI (National Lubricating Grease Institute) and ASTM (American Society for Testing and Materials) between greases, showing the permissible values for the **PolipUMP**.

GREASE	
NLGI	ASTM
00	400 – 430
0	355 – 385
1	310 – 340
2	265 – 295

For further technical information and on safety information consult the lubricant MSDS Safety data sheet or equivalent document supplied by the lubricant manufacturer.

15. OPERATING HAZARDS

The verification of conformity with the essential safety requirements and regulations of the Machine Directive is effected by means of the compilation of a check list which has been pre-prepared and is contained in the *technical file*.

The lists which are utilised are of three types:

- list of dangers (appendix A, EN 1050).
- application of essential safety requirements.
- electrical safety requirements (EN 60204).

Following is a list of dangers which have not been fully eliminated but which are considered acceptable:

- During installation there may be small low pressure oil seepage from the pump. Always use appropriate protective clothing, gloves and take all necessary safety precautions.
- Contact with lubricant during maintenance or filling of the reservoir. → As per previous point, correct precautions must be taken to protect from contact with lubricant.
- Moving Parts and crush danger. → All moving parts are enclosed within the pump unit. Do not open the pump unit. Appropriate danger labels are located on the pump.
- Electric shock. → All electrical connections must be carried out by a qualified electrician who has studied the connection to ensure no electrical danger.
- Abnormal operation posture. → The pump should be installed in a suitable position with ample clearance as indicated in this manual to avoid abnormal posture for the operator.
- Unsuitable Lubricant. → Lubricant characteristics are indicated on the pump and in this user manual. In any case contact a Dropsa Sales and Support engineer (if in any doubts, contact the Technical Department Dropsa SpA).

FLUIDS EXPLICITLY NOT ALLOWED	
Fluid	Dangers
Lubricants with abrasive additives	Wear of the components inside the pump
Lubricants with silicone based additives	Pump seizure
Petrol – solvents – inflammable liquids	Fire – explosion – damage to the gaskets
Corrosive products	Pump corrosion - damage to people
Water	Pump oxidation
Food substances	They would be contaminated

Autoryzowany dystrybutor:



▪ **Siedziba główna - Plewiska**
ul. Południowa 71
62-064 Plewiska

☎ +48 61 60 00 100
✉ e-kontakt@albeco.com

▪ **Oddział Olsztyn**
ul. Kołobrzeska 50
10-434 Olsztyn

☎ +48 89 89 89 350
✉ olsztyn@albeco.com.pl

▪ **Oddział Katowice**
ul. Konduktorska 42
40-155 Katowice

☎ +48 32 88 00 300
✉ katowice@albeco.com.pl