



POLIPUMP

YOUR OWN CENTRALISED LUBRICATION
SYSTEM IN JUST A FEW QUICK STEPS

Easy set up, economical and powerful



www.ntn-snr.com



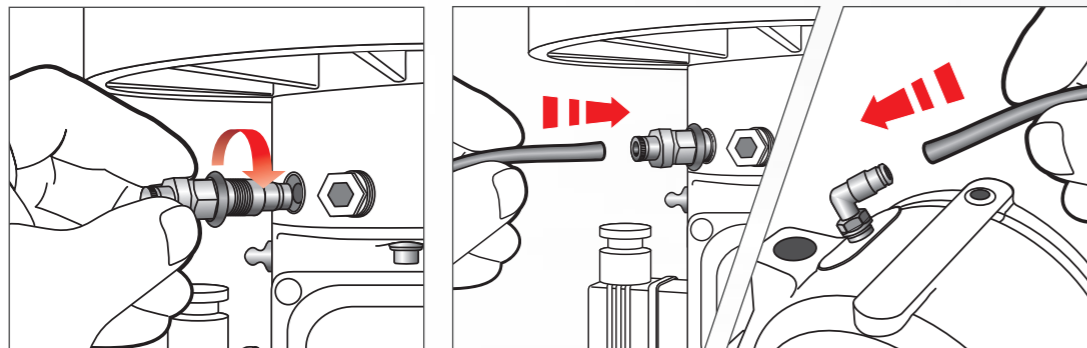
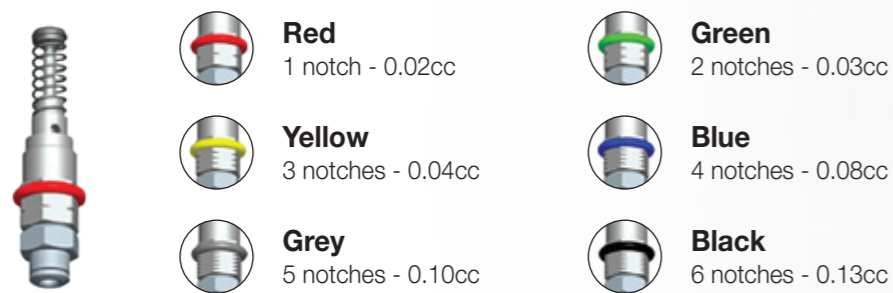
With You

Set up your own multipoint lubrication in only 4 steps

From 1 to 35 points to lubricate up to a distance of 20 metres



1 Choose the number and the type of pumping elements



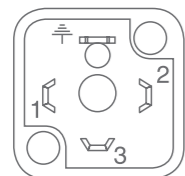
2 Connect the pump to the power supply according to your application

IND – Industrial application

NRUN – For heavy duty vehicles (trucks, earth moving equipment...)

12 VDC-IND

- 1 = 12VDC +
- 2 = ALARM NO out
- 3 = ALARM COM out
- ⊥ = 12VDC -



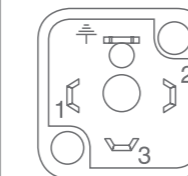
24 VDC-IND

- 1 = 24VDC +
- 2 = ALARM NO out
- 3 = ALARM COM out
- ⊥ = 24VDC -



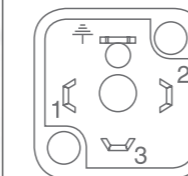
12 VDC-NRUN

- 1 = 12VDC +
- 2 = NRrun in
- 3 = ALARM out
- ⊥ = 12VDC -

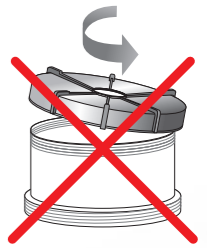


24 VDC-NRUN

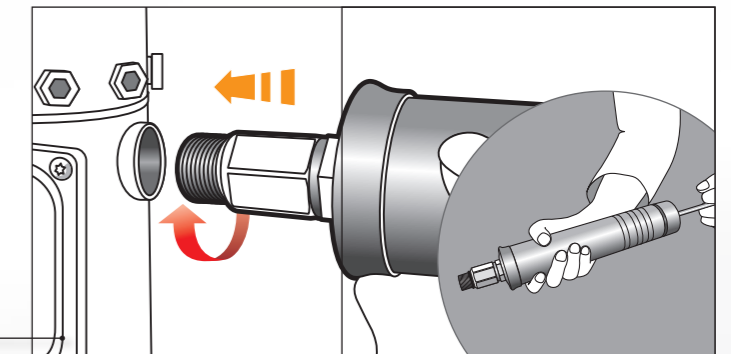
- 1 = 24VDC +
- 2 = NRrun in
- 3 = ALARM out
- ⊥ = 24VDC -



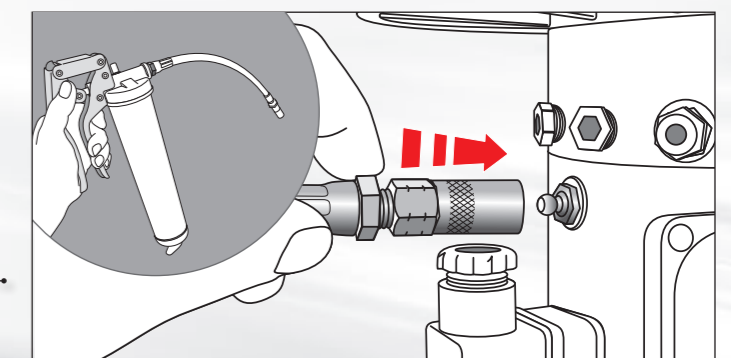
3 Method for filling the reservoir



Solution 1 (recommended)



Solution 2



CHARACTERISTICS

Pumps

- 3 pump models
- 1 - 12 pumping elements
- 1 - 24 pumping elements
- 1 - 35 pumping elements

Power

- 12VDC or 24VDC

12 timer settings

Only select 2 cyc/min for priming the hoses.

6 types of pumping element

2 litre reservoir

Grade of grease to be used

- NLGI00 to NLGI2*

Protection: IP65

Working temperature:

- -10°C to +60 °C

Max pressure

- 80 bars (for maximum 12 pumping elements)
- 50 bars (for maximum 24 pumping elements)
- 30 bars (for maximum 35 pumping elements)

* For grease with silicone based additives, please contact us.

4

Set up the timer

Increase/Decrease
the frequency of lubrication cycle

Yellow LED
Indicates the keypad is unlocked

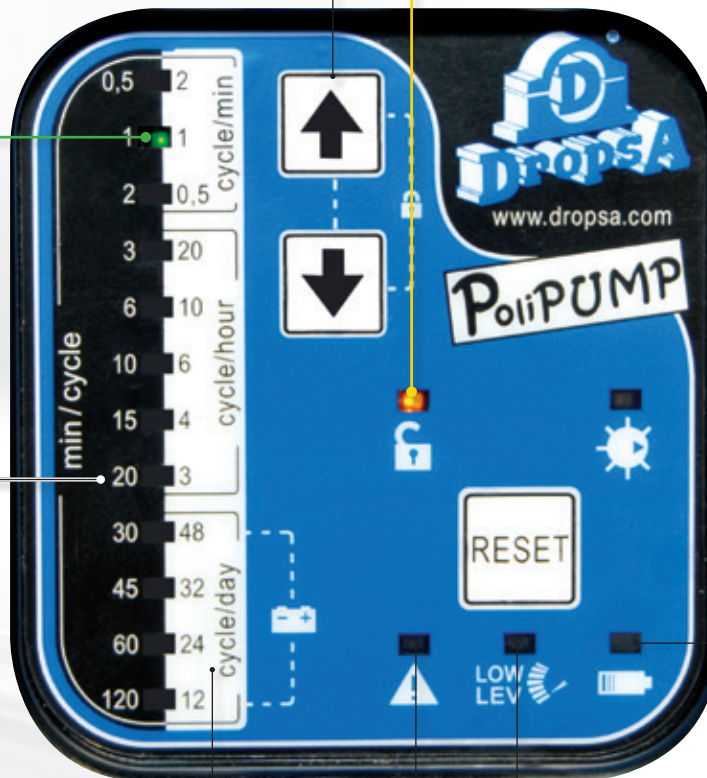
Green LED
Displays the current lubrication cycle setting

Lubrication interval
between every cycle

min / cycle	10
	15
	20

Greasing cycle
min/hour/day

	48
	32
	24
	12



Alarm
Motor overload protection
Possibility of blocked pipe or cycle time too long.

Alarm
Grease level low

Alarm
Power supply problem
Low voltage or overvoltage

POLIPUMP solution selection guide

1) SELECTION OF THE PUMP

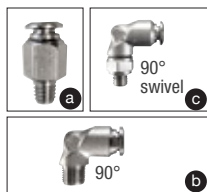
		DESIGNATION	Numbers of outlet	SAP code	Quantity
POLIPUMP IND For all industrial applications	12 VDC	POLIPUMP-2KG-12 PUM-12VDC-IND_0888270	12	308492	
		POLIPUMP-2KG-24 PUM-12VDC-IND_0888271	24	308496	
		POLIPUMP-2KG-35 PUM-12VDC-IND_0888272	35	308500	
	24 VDC	POLIPUMP-2KG-12 PUM-24VDC-IND_0888273	12	308494	1*
		POLIPUMP-2KG-24 PUM-24VDC-IND_0888274	24	308498	
		POLIPUMP-2KG-35 PUM-24VDC-IND_0888275	35	308502	
POLIPUMP NRUN For heavy duty vehicles (trucks, earth moving equipment...)	12 VDC	POLIPUMP-2KG-12 PUM-12VDC-NRUN_0888276	12	308493	
		POLIPUMP-2KG-24 PUM-12VDC-NRUN_0888277	24	308497	
		POLIPUMP-2KG-35 PUM-12VDC-NRUN_0888278	35	308501	
	24 VDC	POLIPUMP-2KG-12 PUM-24VDC-NRUN_0888279	12	308495	
		POLIPUMP-2KG-24 PUM-24VDC-NRUN_0888280	24	308499	
		POLIPUMP-2KG-35 PUM-24VDC-NRUN_0888281	35	308503	

2) SELECTION OF PUMPING ELEMENTS



DESIGNATION	Color	SAP code	Quantity
PUMPING UNIT 0.02cc - RED_0888451	RED	308508	6*
PUMPING UNIT 0.03cc - GREEN_0888452	GREEN	308509	4*
PUMPING UNIT 0.04cc - YELLOW_0888453	YELLOW	308510	
PUMPING UNIT 0.08cc - BLUE_0888454	BLUE	308511	
PUMPING UNIT 0.10cc - GREY_0888455	GREY	308512	
PUMPING UNIT 0.13cc - BLACK_0888456	BLACK	308513	

3) SELECTION OF CONNECTORS AND HOSE



		DESIGNATION	SAP code	Quantity
Connectors		PUSH-IN- M6X1 D4_3084579 a (65 bar max.)	311555	10*
		PUSH-IN-90 M6X1 D4_3084613 b (65 bar max.)	311558	
		PUSH-IN-GIR.90 M8X1 TUB04_3084731 c (150 bar max.)	311560	
		CONN-ELBOW PUSH-IN M10X1 D4_3084654 d (65 bar max.)	311561	
		SWIVEL CONN-STRAIGHT 90-Ø4-1/8_3084638 e (65 bar max.)	311562	
		STRAIGHTPUSH-IN-CONN 1/8 D4_3084577 a (65 bar max.)	311557	
Hose without grease	TUBE-NYLON 6 4X2 BLACK-25M_5717258 (65 bar max.)	310717		
Hose with grease	TUBE-NYLON6 4X2 BLACK-25M GREASE_5717259 (65 bar max.)	310718	2*	

4) GREASE AND GREASE FILLING KIT



DESIGNATION	SAP code	Quantity
KIT CARTRIDGE GREASE FILLING_0888038	308475	1*
FITTING 90° M22 x 1,5 - M/F - 3077222 (for kit cartridge)	370658	
Lub Universal grease	230415	
Lub Heavy duty grease	230422	
Lub High Temp grease	233381	
Lub VIB grease	230421	
Lub Food AL grease	297465	1*
Lub Ultra High temp grease	248672	

5) RESERVOIR EXTENSION



DESIGNATION	SAP code	Quantity
Lubso tank segment_888116	326966	1*

*EXAMPLE OF APPLICATION

Industry : Food

Application : Packing machine

Temperature : 25°C

Used grease : FOOD AL

Number of points to lubricate:

- 4 bearings 22210 5g (cc)/week

- 6 bearings 22206 3.4g (cc)/week

Power supply: 24 VDC

Further information:

- M6X1 push in fittings

- distance : 1 bearing 22210 and 22206 up to 10 meters, others up to 3m

- grease filling kit (cartridge kit + 1 cartridge)

PIECES TO ORDER

Pump : POLIPUMP 24 VDC 12 PUM

Pumping elements:

a) 5g(cc) / week : 0.03cc with timer setting 24cycles/day**

b) 3g(cc) / week : 0.02cc with timer setting 24cycles/day**

Connectors : 10 connectors M6x1

Hose : 2 hoses of 25 meters

** Results based on our selection chart available on our website

POLIPUMP

EASY SET UP, ECONOMICAL AND POWERFUL



Authorized distributor:



www.albeco.com.pl

■ **Headquarters - Plewiska**
ul. Południowa 71
62-064 Plewiska

☎ +48 61 60 00 100
✉ e-kontakt@albeco.com

■ **Branch in Olsztyn**
ul. Kołobrzeska 50
10-434 Olsztyn

☎ +48 89 89 89 350
✉ olsztyn@albeco.com.pl

■ **Branch in Katowice**
ul. Konduktorska 42
40-155 Katowice

☎ +48 32 88 00 300
✉ katowice@albeco.com.pl

This document is the exclusive property of NTN-SNR ROULEMENTS. Any total or partial reproduction hereof without the prior consent of NTN-SNR ROULEMENTS is strictly prohibited. Legal action may be brought against anyone breaching the terms of this paragraph.

NTN-SNR ROULEMENTS shall not be held liable for any errors or omissions that may have crept into this document despite the care taken in drafting it. Due to our policy of continuous research and development, we reserve the right to make changes without notice to all or part of the products and specifications mentioned in this document.

© NTN-SNR ROULEMENTS, international copyright 2018.