

FAG S-TYPE BEARINGS • FAG S-TYPE BEARING UNITS



Economical solutions for simple bearing arrangements

PREFACE

The OEM und Handel company of the FAG Kugelfischer Georg Schäfer AG Group supplies rolling bearings, necessary accessories, and services to original equipment customers in machinery and plant construction as well as to customers in the distribution and spare parts business. Comprehensive rolling bearing know-how, competent consultation on applications, and extensive customer service for more operational reliability

make FAG an indispensable partner to its customers. Research and development of our products is based on the requirements of operation in the field. An ideal outline of requirements is best achieved through cooperation of our application engineers and research team with the machine manufacturers and operators. It forms the basis for successful solutions both technically and economically speaking.



CONTENTS

Programme Chart	P. 4
Application	P. 6
Advantages	P. 6
Design Features of S-Type Bearings	P. 7
Fits	P. 10
Design Features of S-Type Housings	P. 13
Dimensioning	P. 15
Mounting of FAG S-Type Bearings	P. 18
Dimensional Tables for FAG S-Type Bearings for Metric and Inch Shaft Sizes	P. 24
Dimensional Tables for FAG S-Type Bearing Units	P. 30
Series P162, P362, P562, P762.2RSR with Grey-Cast Iron Plummer Block Housings	P. 30
Series PA162, PA362, PA562, PA762.2RSR with Grey-Cast Iron Plummer Block Housings	P. 36
Series F162, F362, F562, F762.2RSR with Grey-Cast Iron Flanged Housings	P. 40
Series FL162, FL362, FL562, FL762.2RSR with Grey-Cast Iron Flanged Housings	P. 46
Series FC162, FC362, FC562, FC762.2RSR with Grey-Cast Iron Flanged Housings	P. 52
Series T162, T362, T562, T762.2RSR with Grey-Cast Iron Take-up Unit Housings	P. 58
Dimensional Tables for FAG Pressed Steel S-Type Housings	P. 64
Series SB2, Plummer Block Housings	P. 64
Series FB2, Flanged Housings	P. 66
Series FBB2, Flanged Housings	P. 70

FAG S-TYPE BEARING UNITS OF S-TYPE BEARINGS AND GREY-CAST IRON HOUSINGS

	Grey-cast iron plummer block housings Series P2	Grey-cast iron plummer block housings Series PA2	Grey-cast iron flanged housings Series F2	Grey-cast iron flanged housings Series FL2	Grey-cast iron flanged housings Series FC2	Take-up unit housings of grey-cast iron Series T2
S-type bearings Pages 24 - 29						

Series 162	S-type bearing units					
	P162	PA162	F162	FL162	FC162	T162
d = 12...60 mm	d = 12...60 mm	d = 20...60 mm	d = 12...60 mm	d = 12...60 mm	d = 20...60 mm	d = 20...60 mm
d = 1/2...2 7/16 in	Page 30	Page 36	Page 40	Page 46	Page 52	Page 58
	d = 1/2...2 7/16 in Page 30	d = 3/4...2 7/16 in Page 36	d = 1/2...2 7/16 in Page 40	d = 1/2...2 7/16 in Page 46	d = 3/4...2 7/16 in Page 52	d = 3/4...2 7/16 in Page 58

Series 362	S-type bearing units					
	P362	PA362	F362	FL362	FC362	T362
d = 20...90 mm	d = 20...90 mm	d = 20...60 mm	d = 20...90 mm	d = 20...75 mm	d = 20...90 mm	d = 20...90 mm
d = 3/4... 3 1/2 in	Page 30	Page 36	Page 40	Page 46	Page 52	Page 58
	d = 3/4... 3 1/2 in Page 30	d = 3/4...2 7/16 in Page 36	d = 3/4... 3 1/2 in Page 40	d = 3/4...3 in Page 46	d = 3/4... 3 1/2 in Page 52	d = 3/4... 3 1/2 in Page 58

Series 562	S-type bearing units					
	P562	PA562	F562	FL562	FC562	T562
d = 20...90 mm	d = 20...90 mm	d = 20...60 mm	d = 20...90 mm	d = 20...75 mm	d = 20...90 mm	d = 20...90 mm
d = 3/4... 3 1/2 in	Page 30	Page 36	Page 40	Page 46	Page 52	Page 58
	d = 3/4... 3 1/2 in Page 30	d = 3/4...2 7/16 in Page 36	d = 3/4... 3 1/2 in Page 40	d = 3/4...3 in Page 46	d = 3/4... 3 1/2 in Page 52	d = 3/4... 3 1/2 in Page 58

Series 762.2RSR	S-type bearing units					
	P762.2RSR	PA762.2RSR	F762.2RSR	FL762.2RSR	FC762.2RSR	T762.2RSR
d = 17...60 mm	d = 17...60 mm	d = 20...60 mm	d = 17...60 mm	d = 17...60 mm	d = 20...60 mm	d = 20...60 mm
	Page 30	Page 36	Page 40	Page 46	Page 52	Page 58

Other S-type bearing units available on request.

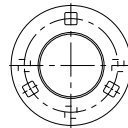
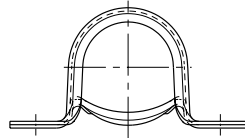
FAG PRESSED STEEL PLUMMER BLOCK HOUSINGS

for combination with S-type bearings

**Pressed steel
plummer block housings
Series SB2**

**Pressed steel
flanged housings
Series FB2**

**Pressed steel
flanged housings
Series FBB2**



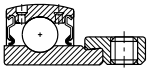
S-type bearings

Page 24

Series 162

$d = 12...50 \text{ mm}$

$d = \frac{1}{2}...1\frac{15}{16} \text{ in}$



for combination with S-type bearings of series 162

$d = 12...35 \text{ mm}$

Page 64

$d = \frac{1}{2}...1\frac{7}{16} \text{ in}$

Page 64

$d = 12...50 \text{ mm}$

Page 66

$d = \frac{1}{2}...1\frac{15}{16} \text{ in}$

Page 66

$d = 12...35 \text{ mm}$

Page 70

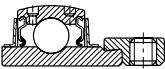
$d = \frac{1}{2}...1\frac{7}{16} \text{ in}$

Page 70

Series 362

$d = 20...50 \text{ mm}$

$d = \frac{3}{4}...1\frac{15}{16} \text{ in}$



for combination with S-type bearings of series 362

$d = 20...50 \text{ mm}$

Page 66

$d = \frac{3}{4}...1\frac{15}{16} \text{ in}$

Page 66

$d = 20...35 \text{ mm}$

Page 70

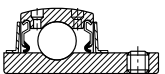
$d = \frac{3}{4}...1\frac{7}{16} \text{ in}$

Page 70

Series 562

$d = 20...50 \text{ mm}$

$d = \frac{3}{4}...1\frac{15}{16} \text{ in}$



for combination with S-type bearings of series 562

$d = 20...50 \text{ mm}$

Page 66

$d = \frac{3}{4}...1\frac{15}{16} \text{ in}$

Page 66

$d = 20...35 \text{ mm}$

Page 70

$d = \frac{3}{4}...1\frac{7}{16} \text{ in}$

Page 70

Series 762.2RSR

$d = 17...50 \text{ mm}$



for combination with S-type bearings of series 762.2RSR

$d = 17...35 \text{ mm}$

Page 64

$d = 17...50 \text{ mm}$

Page 66

$d = 17...35 \text{ mm}$

Page 70

FAG pressed steel S-type housings and FAG S-type bearings are not supplied as a unit and must, therefore, be ordered separately.

APPLICATION • ADVANTAGES

Application

FAG S-type bearings are preferably used for applications calling for simplicity of design and assembly. They are used, for instance, in agricultural machinery, conveyor systems and construction machinery.

The units consist of a deep groove ball bearing sealed on both sides, with a spherical outside diameter and a grey-cast iron (nodular cast iron also possible) or pressed steel housing.

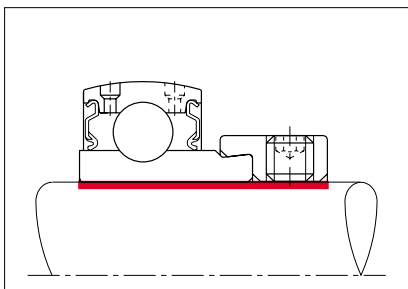
FAG S-type bearings are used almost exclusively as locating bearings. Therefore, they are particularly suitable for supporting short shafts and for applications where only minor thermal expansions are likely to occur. Minor expansions of the shaft are compensated for by the axial clearance of the bearings.

Advantages

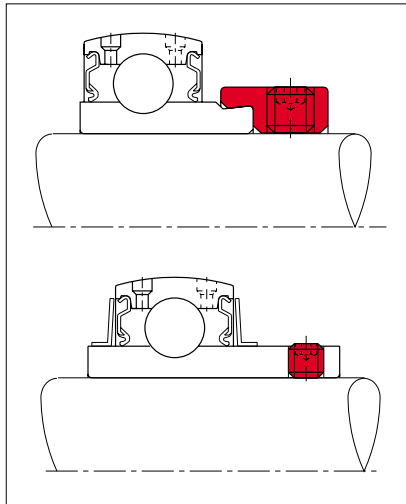
- **Economical bearing arrangements for agricultural machinery, conveyor systems and construction machinery**

- **Simple mounting**

The bore diameters of most FAG S-type bearings are selected such that loose shaft fits are obtained. This simplifies mounting.



The bearings are fastened on the shaft either by means of eccentric self-locking collars or two threaded pins.

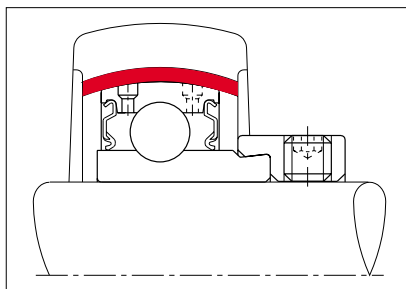


- **Standard shafts**

The shafts for such bearing arrangements require no fine machining. Standard, drawn and peeled shafts that are machined to tolerance h9 will suffice.

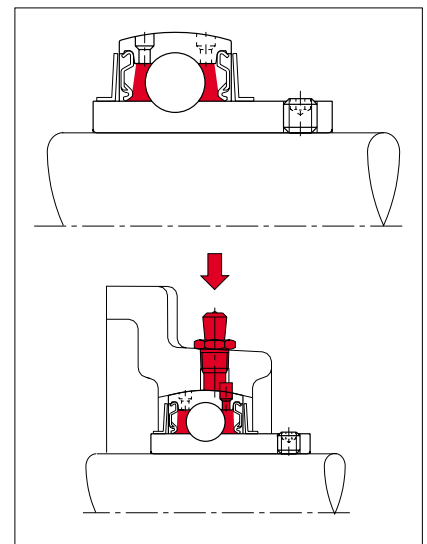
- **Compensation of misalignments**

FAG S-type bearing units can compensate for static misalignments. The spherical outer ring of the deep groove ball bearing can align as required in the accordingly designed housings.



- **No maintenance required**

The deep groove ball bearings are sealed on both sides and contain a grease filling which will generally last for the whole bearing life. If cast housings are used, relubrication is possible, see drawing below.



- **Large selection of bearings, plummer block housings and flanged housings made of grey-cast iron or pressed steel**

Deep groove ball bearings of series 162, 362, 562 and 762.2RSR are mounted into these housings. Synoptic tables of the FAG S-type Bearing Programme are shown on pages 4 and 5.

Please inquire about the availability of other designs, e.g. deep groove ball bearings with the internal design of series 63 and bearings mounted onto an adapter sleeve.

DESIGN FEATURES OF S-TYPE BEARINGS

Dimensions • Codes • Materials • Clearance • Tolerances

Dimensions

The dimensions of FAG S-type bearings are largely in accordance with ISO 9628.

Bearings of series 762.2RSR have the same dimensions as deep groove ball bearings of series 62.2RSR. They differ only by their spherical outer ring. The other metric S-type bearings have the same nominal bore diameter and the same outside diameter as deep groove ball bearings of series 62. Besides metric S-type bearings, we offer S-type bearings with inch size bores.

Codes

The code of a metric FAG S-type bearing is made up of the bearing series designation and the bore reference number.

Example:

S-type bearing FAG 16208

S-type bearing of series 162

Bore diameter 40 mm

For S-type bearings with inch size bores, three digits indicating the bore diameter are added to the metric-bearing code. The first digit indicates the whole inches, the last two digits indicate the fractions in $\frac{1}{16}$ in.

Example :

S-type bearing FAG 16208.109

S-type bearing of series 162

Bore diameter $1 \frac{9}{16}$ in

Materials

Bearing rings and balls of FAG S-type bearings are made of through-hardening chromium steel (material no. 1.3505). The cage is made of pressed steel.

Bearing clearance

FAG S-type bearings have a radial clearance of C3 (series 762.2RSR bearings have CN clearance). The larger bearing clearance helps compensate for misalignments and shaft deflections.

The axial bearing clearance is eight to twelve times the radial clearance. Minor heat expansions of the shaft are, therefore, harmless.

Tolerances

Basically, FAG S-type bearings are machined to the normal tolerance class PN (in accordance with DIN 620) of radial bearings. An exception is the bore tolerance of series 162, 362 and 562 bearings. This tolerance provides a loose fit if the shaft is machined to one of the tolerance fields h. Standard, drawn or peeled shafts of tolerance h9 will suffice.

All dimensions of series 762.2RSR bearings have the normal tolerances of radial bearings. Therefore, the bearing seats on the shaft are machined, as usual, to j6 or k6, see also page 10.

Tolerance tables, see page 8.

Bore reference number		03	04	05	06	07	08	09	10	11	12
Bearing clearance in μm											
Clearance group C3	min	11	13	13	13	15	15	18	18	23	23
	max	25	28	28	28	33	33	36	36	43	43
Clearance group CN	min	3	5	5	5	6	6	6	6	8	8
	max	18	20	20	20	20	20	23	23	28	28
Bore reference number		13	14	15	16	17	18				
Bearing clearance in μm											
Clearance group C3	min	23	25	25	25	30	30				
	max	43	51	51	51	58	58				

Radial clearance of FAG S-type bearings (clearance group C3 for series 162, 362, 562; clearance group CN for series 762.2RSR)

DESIGN FEATURES OF S-TYPE BEARINGS

Tolerances • Fastening of the inner rings

Nominal bore diameter	over to	Dimensions in mm				
		10 18	18 30	30 50	50 80	80 120
		Tolerances in μm				
Deviation Δ_{dmp} (series 162, 362, 562)		+18	+21	+25	+30	+35
		0	0	0	0	0
Deviation Δ_{dmp} (series 762.2RSR)		0	0	0	0	
		-8	-10	-12	-15	
Variation V_{dp} (series 162, 362, 562, 762.2RSR)		8	10	12	14	16
Radial runout K_{ia} (all series)		9	11	13	16	20

d_{mp} arithmetical mean of the largest and smallest single bore diameters in one radial plane
 $\Delta_{\text{dmp}} = d_{\text{mp}} - d$
 deviation of the mean bore diameter from nominal dimension
 V_{dp} bore diameter variation; difference between the largest and smallest single bore diameters in one radial plane
 K_{ia} radial runout of assembled bearing inner ring

Inner ring tolerances

Nominal outside diameter	over to	Dimensions in mm				
		30 50	50 80	80 120	120 150	150 180
		Tolerances in μm				
Deviation Δ_{Dmp}		0	0	0	0	0
		-11	-13	-15	-18	-25
Variation V_{Dp}		8	10	11	14	19
Radial runout K_{ea}		15	19	26	35	40

D_{mp} arithmetical mean of the largest and smallest single outside diameters in one radial plane
 $\Delta_{\text{Dmp}} = D_{\text{mp}} - D$
 deviation of the mean outside diameter from nominal dimension
 V_{Dp} outside diameter variation; difference between the largest and smallest single outside diameter in one radial plane
 K_{ea} radial runout of assembled bearing outer ring

Outer ring tolerances (series 162, 362, 562, 762.2RSR)

Fastening the inner rings

FAG S-type bearings of series 162 and 362 are fastened by means of eccentric self-locking collars. The inner eccentric of the self-locking collar is slipped over the outer eccentric of the bearing's extended inner ring. The self-locking collar is localized by means of its threaded pin. The dimensions of the eccentric self-locking collars are in accordance with ISO 9628.



Bearing with eccentric self-locking collar

FAG S-type bearings of series 562 are fastened by means of two threaded pins in the extended inner ring.

Bore reference number	Tightening torque	Wrench opening
	Nm	mm
04	6	3
05	6	3
06	6	3
07	12	4
08	12	4
09	12	4
10	23	5
11	23	5
12	23	5
13	23	5
14	45	6
15	45	6
16	45	6
17	45	6
18	45	6

Tightening torque and wrench openings for the threaded pins of series 562 bearings

DESIGN FEATURES OF S-TYPE BEARINGS

Seals • Alignment • Operating temperature • Lubrication

Seals

FAG S-type bearings are fitted with rubbing seals. These seals consist of a sheet metal washer onto which a rubber lip is vulcanized. The seal lip contacts the inner ring lip under slight radial tension. S-type bearings of series 362 and 562 can even be used for applications where they are exposed to heavy contamination. In addition to the rubbing seals, they have flinger shields on both sides that rotate with the inner ring.

Alignment

FAG S-type bearings with a spherical outside diameter can compensate for

misalignments. They are mounted into grey-cast iron or pressed steel housings with a matching spherical inner surface.

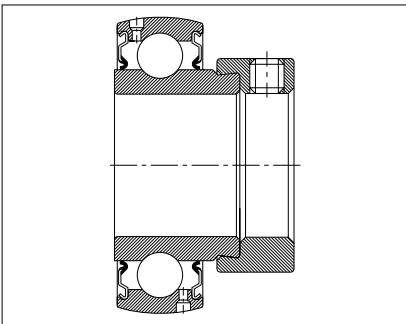
Static misalignments of up to 5° out of the centre position are permissible. The angular misalignment of bearings which are relubricated must not exceed 2.5° as otherwise the lubricating hole in the outer ring will be covered and no longer accessible.

Operating temperature

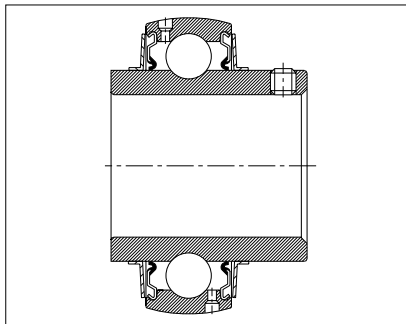
The maximum permissible operating temperature of FAG S-type bearings is 110 °C; the lower temperature limit is -30 °C.

Lubrication

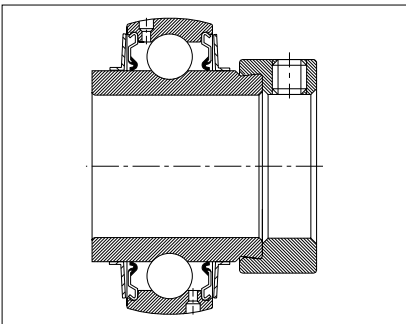
FAG S-type bearings are filled with a lithium soap base grease of penetration class 3. The standard grease filling will generally last for the whole bearing life. Where relubrication is planned, cast-iron housings are required. These housings have a lubricating nipple. FAG S-type bearings have two lubricating holes in the outer ring at a distance of 180°.



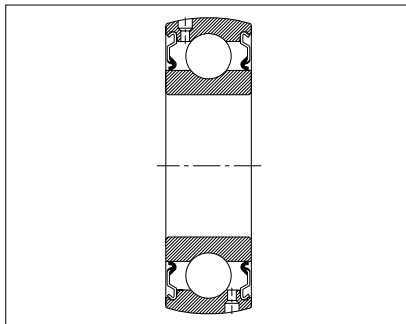
FAG S-type bearing of series 162



FAG S-type bearing of series 562



FAG S-type bearing of series 362



FAG S-type bearing of series 762.2RSR

Bore reference number	C_a ≈ mm
03	3.4
04	3.7
05	3.9
06	5
07	5.7
08	6.2
09	6.4
10	6.5
11	7
12	7.6
13	8.9
14	8.9
15	8.5
16	8.8
17	10
18	10

Position of the lubricating hole relative to the outer ring centre

DESIGN FEATURES OF S-TYPE BEARINGS • FITS

Speed suitability

Speed suitability

The speeds attainable with an S-type bearing are determined primarily by the bearing seat on the shaft. The speeds reached with relatively rough shafts and loose fits are low. Higher speeds are reached with tighter fits and more accurately machined shafts. The following table lists the attainable speeds for various shaft tolerances.

Fits

With shafts machined to h9 a loose bearing fit is obtained. For tighter fits, such as required for higher speeds, the shafts are machined to k7 or m7.

The *interferences* or fit clearances obtained if the go-sides or the no-go-sides of bearing and shaft tolerances coincide are extreme values. Generally, the actual *interference* or fit clearance is somewhere between these two values.

The probable *interference* or fit clearance indicated is the value that is obtained if the actual dimensions are one third away from the go-side.

In the tables on pages 11 and 12 the tolerances of bearing bore and shaft as well as the fit clearance or *interference* are indicated. The meaning of the values is illustrated by examples above the tables.

Series 762.2RSR bearings are used where an increased running accuracy is required. These bearings have the permissible minimum dimensions usual for the inner ring bore of radial bearings (see page 7). The criteria for selecting the shaft tolerance if series 762.2RSR bearings are used are indicated in the table below.

Bore reference number	Shaft mm	Shaft tolerance				
		m7, k7	j7	h7	h8	h9
		Speeds in min ⁻¹				
03	17	12000	9500	6000	4300	1500
04	20	10000	8000	5000	3600	1200
05	25	9000	7200	4500	3100	1100
06	30	7500	6000	3800	2600	900
07	35	6300	5000	3200	2200	750
08	40	5600	4500	2800	1900	670
09	45	5300	4300	2600	1800	630
10	50	4800	3800	2400	1700	580
11	55	4300	3400	2200	1500	520
12	60	4000	3200	2000	1400	480
13	65	3600	2900	1800	1300	430
14	70	3400	2800	1700	1200	400
15	75	3200	2600	1600	1100	380
16	80	3000	2400	1500	1100	360
17	85	2800	2200	1400	1000	340
18	90	2600	2000	1300	900	320

Attainable speeds

Type of loading	Displaceability, load	Tolerance
Point load on the inner ring	Floating bearing with displaceable inner ring	g6 h6
Circumferential load on the inner ring or undefined load	normal load (P/C ≤ 0.15)	j6
	high load (P/C > 0.15)	k6

Selection of shaft tolerances for series 762.2RSR bearings

FITS

Example: Ø 40 j7

Go-side	+15	<i>15</i>	<i>Interference</i> or fit clearance if the go-sides coincide
		2	Probable <i>interference</i> or fit clearance
No-go-side	-10	35	<i>Interference</i> or fit clearance if the no-go-sides coincide

Numbers printed in *italics* = *Interference*
 Figures in normal print = fit clearance

		Dimensions in mm									
Nominal shaft diameter	over to	18	18	30	50	50	80	80	120	120	
		Tolerance values in µm (normal tolerance)									
Bearing bore diameter		+18	+21	+25	+30	+30	+35	+35	+35	+35	
Deviation Δ_{dmp}		0	0	0	0	0	0	0	0	0	
Schematic fit drawing		Shaft tolerance, <i>interference</i> or fit clearance in µm									
Shaft	Bearing										
h9		0	0	0	0	0	0	0	0	0	
		-43	20	-52	24	-62	29	-74	35	-87	41
			61		73		87		104		122
h8		0	0	0	0	0	0	0	0	0	
		-27	15	-33	18	-39	21	-46	25	-54	30
			45		54		64		76		89
h7		0	0	0	0	0	0	0	0	0	
		-18	12	-21	14	-25	17	-30	20	-35	23
			36		42		50		60		70
j7		+12	<i>12</i>	+13	<i>13</i>	+15	<i>15</i>	+18	<i>18</i>	+20	<i>20</i>
		-6	0	-8	1	-10	2	-12	2	-15	4
			24		29		35		42		50
k7		+19	<i>19</i>	+23	<i>23</i>	+27	<i>27</i>	+32	<i>32</i>	+38	<i>38</i>
		+1	7	+2	9	+2	10	+2	12	+3	14
			17		19		23		28		32
m7		+25	<i>25</i>	+29	<i>29</i>	+34	<i>34</i>	+41	<i>41</i>	+48	<i>48</i>
		+7	13	+8	15	+9	17	+11	21	+13	24
			11		13		16		19		22

$\Delta_{dmp} = d_{mp} - d$
 Deviation of the mean bore diameter from nominal dimension

Shaft fits for series 162, 362 and 562 bearings

FITS

Example: Ø 40 j6

Go-side	+11	<i>23</i>	<i>Interference</i> or fit clearance if the go-sides coincide Probable <i>interference</i> or fit clearance
No-go-side	-5	<i>5</i>	

Numbers printed in *italics* = *Interference*
 Figures in normal print = fit clearance

		Dimensions in mm							
Nominal shaft diameter	over to	10 18	18 30	30 50	50 65				
		Tolerance values in µm (normal tolerance)							
Bearing bore diameter		-8	-10	-12	-15				
Deviation Δ_{dmp}		0	0	0	0				
Schematic fit drawing		Shaft tolerance, <i>interference</i> or fit clearance in µm							
Shaft	Bearing								
g6		-6	<i>2</i>	-7	<i>3</i>	-9	<i>3</i>	-10	<i>5</i>
			<i>4</i>		<i>5</i>		<i>6</i>		<i>6</i>
		-17	17	-20	20	-25	25	-29	29
h6		0	<i>8</i>	0	<i>10</i>	0	<i>12</i>	0	<i>15</i>
			<i>2</i>		<i>2</i>		<i>3</i>		<i>4</i>
		-11	11	-13	13	-16	16	-19	19
j6		+8	<i>16</i>	+9	<i>19</i>	+11	<i>23</i>	+12	<i>27</i>
			<i>10</i>		<i>11</i>		<i>14</i>		<i>16</i>
		-3	3	-4	4	-5	5	-7	7
k6		+12	<i>20</i>	+15	<i>25</i>	+18	<i>30</i>	+21	<i>36</i>
			<i>14</i>		<i>17</i>		<i>21</i>		<i>25</i>
		+1	1	+2	2	+2	2	+2	2

$\Delta_{dmp} = d_{mp} - d$
 Deviation of the mean bore diameter from nominal dimension

Shaft fits for series 762.2RSR bearings

DESIGN FEATURES OF FAG S-TYPE HOUSINGS

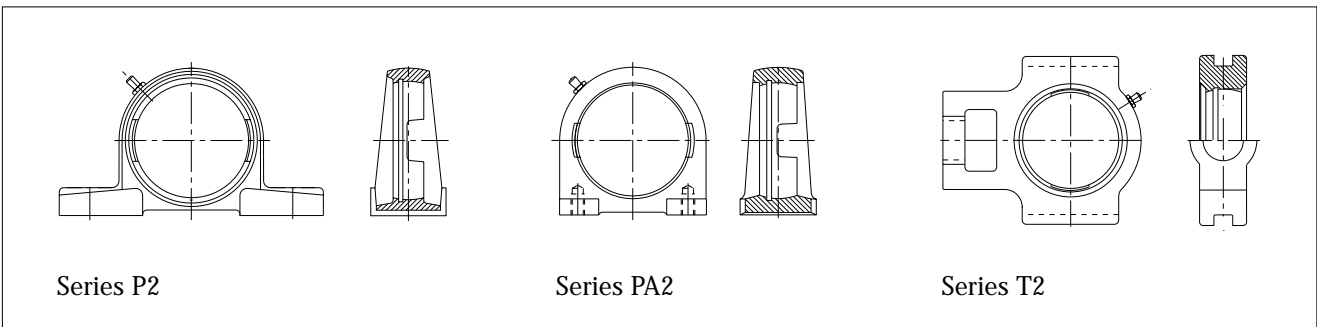
Designs

Designs

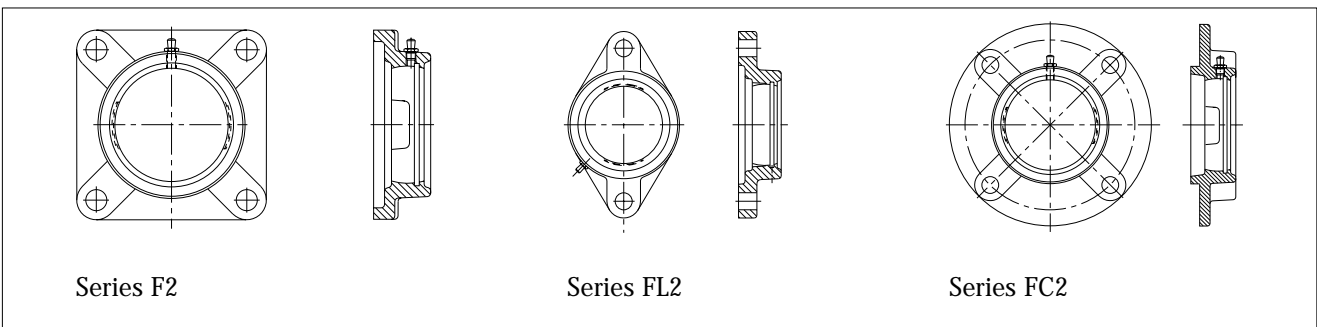
Cast FAG S-type housings are available as plummer block housings,

as flanged housings and as take-up unit housings.

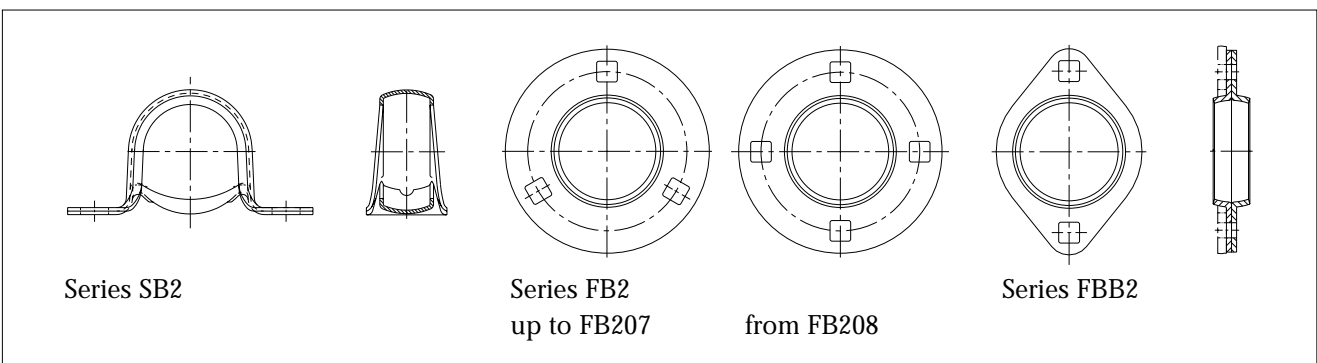
Pressed housings are available both as plummer block housings and as flanged housings.



Plummer block housings (P2, PA2) and take-up unit housings (T2) made from grey-cast iron



Flanged housings made from grey-cast iron (F2, FL2, FC2)



Plummer block housings made from pressed steel (SB2); flanged housings made from pressed steel (FB2, FBB2)

DESIGN FEATURES OF FAG S-TYPE HOUSINGS

Materials • Preservation • Dimensions • Tolerances • Relubrication • Load carrying capacity

Materials, preservation

Cast FAG S-type housings are made from GG-20 grey-cast iron (nodular cast iron also possible); they are one-piece housings. The non-machined outer surfaces of the cast housings have a bluish grey coat of paint. All machined surfaces are preserved.

Pressed FAG S-type housings are made of sheet steel. They consist of two parts. FAG pressed steel housings are zinc coated and chromized and in this way protected from corrosion.

Dimensions

The dimensions of cast iron S-type housings are largely in accordance with ISO 3228 and DIN 626-2.

The dimensions of pressed steel housings are specified in ISO 3228 and DIN 626-3.

The dimensions may vary from those of earlier housing designs.

Tolerances of the housing bores

The bearing seats in the cast housings are machined to J7. The bearing can align in the spherical seat if there is a shaft misalignment.

The bearing seats in the pressed steel housings are toleranced such that a tight fit is obtained for the

outer ring when the housing halves are bolted together. For this reason the fastening bolts may only be tightened after the bearing has aligned during mounting.

Relubrication

As a rule, FAG S-type bearings require no relubrication. Relubrication is only recommended for applications where bearings are subjected to heavy contamination and considerable moisture as well as high loads, speeds and temperatures.

S-type bearings that are relubricated must be mounted into cast housings. These housings have a tapped hole M6 x 1 into which a lubricating nipple GU1 is screwed.

FAG lithium soap base grease Arcanol L71V is to be used for relubrication.

Load carrying capacity of FAG S-type housings

Where plummer block housings or flanged housings of cast iron are used, the strength of the housing does not have to be taken into account. It is in any case great enough that the load carrying capacity of the bearing can be fully utilized. Therefore, cast housings are used mainly where high loads have to be accommodated. If heavy shock loads have to be accommodated we recommend to use nodular cast iron housings which can be ordered as well. The lower priced pressed housings on the other hand can be used only for low loads due to their limited strength. The permissible radial and axial loads are indicated in the table. With pressed steel flanged housings the axial load should not exceed 50% of the permissible radial load; with pressed steel plummer block housings the axial load should not exceed 30% of the permissible radial load.

Housing reference number	Series FB, FBB	SB		
		radial	axial	
permissible load ≈ kN				
03	2.4	1.2	1.2	0.4
04	3.2	1.6	1.6	0.5
05	3.65	1.8	1.8	0.55
06	4.8	2.4	2.6	0.8
07	6.3	3.15	3.45	1.05
08	7.1	3.55		
09	7.8	3.9		
10	9	4.5		

Permissible radial and axial loads on FAG pressed housings

DIMENSIONING

Load carrying capacity • Calculation of dynamically stressed bearings

Load carrying capacity of FAG S-type bearings

FAG S-type bearings have the same radial load carrying capacity as series 62 deep groove ball bearings (cp. p. 17). With smooth shafts, the axial load carrying capacity of FAG S-type bearings depends on the strength of the inner ring fixation on the shaft. The permissible axial loads are indicated in the table.

Bore reference number	03	04	05	06	07	08	09	10	11	12	13	14	15	16	17	18
permissible axial load ≈ kN	1.5	2	2.3	3	4	4.5	5	5.5	6.5	8	8.5	9.5	10	10.5	11	12

Permissible axial load on FAG S-type bearings

With higher axial loads, the inner ring is supported against a shaft shoulder. A greater axial load car-

rying capacity can also be achieved if the shafts feature holes into which the threaded pins are inserted.

Calculation of the FAG S-type bearings

A differentiation is made between dynamic and static stress in rolling bearing engineering. Dynamic stress implies that either the inner ring or the outer ring rotates. Static stress refers to bearings carrying a load when stationary. Depending on which type of stress is involved, either the dynamic load rating C or the static load rating C_0 is used for bearing calculation.

Calculation of dynamically stressed bearings

If a rotating bearing is subjected to a radial load and a thrust load at the same time, the bearing calculation is based on the equivalent dynamic load P.

$$P = X \cdot F_r + Y \cdot F_a \text{ [kN]}$$

P = equivalent dynamic load [kN]

F_r = radial load [kN]

F_a = axial load [kN]

X = radial factor

Y = thrust factor

The X and Y values for S-type bearings are determined by the F_a/F_r ratio and the $f_0 \cdot F_a / C_0$ ratio (f_0 values, see table on page 17).

Bearing clearance C3					
$\frac{f_0 \cdot F_a}{C_0}$	e	$\frac{F_a}{F_r} \leq e$		$\frac{F_a}{F_r} > e$	
		X	Y	X	Y
0.3	0.32	1	0	0.46	1.7
0.5	0.35	1	0	0.46	1.56
0.9	0.39	1	0	0.46	1.41
1.6	0.43	1	0	0.46	1.27
3	0.48	1	0	0.46	1.14
6	0.54	1	0	0.46	1

X and Y factors for calculating the equivalent dynamic load

After selecting a suitable S-type bearing, its load carrying capacity must be checked. This is done by means of the f_L index.

$$f_L = (C/P) \cdot f_n$$

f_L = index of dynamic stressing

C = dynamic load rating [kN]

P = equivalent dynamic load [kN]

f_n = speed factor [kN]

The value of f_L that must be reached in this calculation is to be specified on the basis of a comparison with field-proven designs. The following table indicates which f_L values or which nominal life values are recommended for various applications.

Application	f_L value	Nominal life [h]
Seasonal operation with low-degree machine utilization	1.0 - 1.5	500 - 1 700
Seasonal operation with full machine utilization	1.5 - 2.0	1 700 - 4 000
Continuous operation with low-degree machine utilization	2.5 - 3.5	6 000 - 20 000
Continuous operation with full machine utilization	3.5 - 4.0	20 000 - 30 000

Recommended values for the f_L index and for the nominal life

DIMENSIONING

Calculation of dynamically stressed bearings

Speed factor f_n

$$f_n = \sqrt[3]{\frac{33^{1/3}}{n}}$$

n min ⁻¹	f_n	n min ⁻¹	f_n	n min ⁻¹	f_n	n min ⁻¹	f_n	n min ⁻¹	f_n
10	1.49	42	0.926	170	0.581	650	0.372	2800	0.228
11	1.45	44	0.912	180	0.57	700	0.362	3000	0.223
12	1.41	46	0.898	190	0.56	750	0.354	3200	0.218
13	1.37	48	0.886	200	0.55	800	0.347	3400	0.214
14	1.34	50	0.874	220	0.533	850	0.34	3600	0.21
15	1.3	55	0.846	240	0.518	900	0.333	3800	0.206
16	1.28	60	0.822	260	0.504	950	0.327	4000	0.203
17	1.25	65	0.8	280	0.492	1000	0.322	4200	0.199
18	1.23	70	0.781	300	0.481	1100	0.312	4400	0.196
19	1.21	75	0.763	320	0.471	1200	0.303	4600	0.194
20	1.19	80	0.747	340	0.461	1300	0.295	4800	0.191
22	1.15	85	0.732	360	0.452	1400	0.288	5000	0.188
24	1.12	90	0.718	380	0.444	1500	0.281	5500	0.182
26	1.09	95	0.705	400	0.437	1600	0.275	6000	0.177
28	1.06	100	0.693	420	0.43	1700	0.27	6500	0.172
30	1.04	110	0.672	440	0.423	1800	0.265	7000	0.168
32	1.01	120	0.652	460	0.417	1900	0.26	7500	0.164
34	0.993	130	0.635	480	0.411	2000	0.255	8000	0.161
36	0.975	140	0.62	500	0.405	2200	0.247	8500	0.158
38	0.957	150	0.606	550	0.393	2400	0.24	9000	0.155
40	0.941	160	0.593	600	0.382	2600	0.234	9500	0.152

f_L index and nominal life L_h

$$f_L = \sqrt[3]{\frac{L_h}{500}}$$

L_h h	f_L	L_h h	f_L	L_h h	f_L	L_h h	f_L	L_h h	f_L
100	0.585	380	0.913	1300	1.38	4400	2.06	16000	3.17
110	0.604	400	0.928	1400	1.41	4600	2.1	17000	3.24
120	0.621	420	0.944	1500	1.44	4800	2.13	18000	3.3
130	0.638	440	0.958	1600	1.47	5000	2.15	19000	3.36
140	0.654	460	0.973	1700	1.5	5500	2.22	20000	3.42
150	0.669	480	0.986	1800	1.53	6000	2.29	22000	3.53
160	0.684	500	1	1900	1.56	6500	2.35	24000	3.63
170	0.698	550	1.03	2000	1.59	7000	2.41	26000	3.73
180	0.711	600	1.06	2200	1.64	7500	2.47	28000	3.83
190	0.724	650	1.09	2400	1.69	8000	2.52	30000	3.91
200	0.737	700	1.12	2600	1.73	8500	2.57	32000	4
220	0.761	750	1.14	2800	1.78	9000	2.62	34000	4.08
240	0.783	800	1.17	3000	1.82	9500	2.67	36000	4.16
260	0.804	850	1.19	3200	1.86	10000	2.71	38000	4.24
280	0.824	900	1.22	3400	1.89	11000	2.8	40000	4.31
300	0.843	950	1.24	3600	1.93	12000	2.88	42000	4.38
320	0.862	1000	1.26	3800	1.97	13000	2.96	44000	4.45
340	0.879	1100	1.3	4000	2	14000	3.04	46000	4.51
360	0.896	1200	1.34	4200	2.03	15000	3.11	48000	4.58

DIMENSIONING

Calculation of dynamically stressed bearings • Calculation of statically stressed bearings

Modified life calculation

For normal applications, dimensioning bearings to reach a nominal life in accordance with DIN ISO 281 usually yields very failsafe bearings. In some cases, however, the capacity of a bearing has to be determined more accurately and utilized more fully. Calculating the attainable life in accordance with the FAG method allows designers to take operating influences and ambient influences (loads, lubrication, cleanliness in the lubricating gap) into account more specifically. For details see catalogue WL 41 520 "FAG Rolling Bearings".

$$P_0 = F_r \text{ [kN]} \quad \text{for } \frac{F_a}{F_r} \leq 0.8$$

$$P_0 = 0.6 \cdot F_r + 0.5 \cdot F_a \text{ [kN]} \quad \text{for } \frac{F_a}{F_r} > 0.8$$

P_0 = equivalent static load [kN]

F_r = radial load [kN]

F_a = thrust load [kN]

After selecting a suitable S-type bearing, its static load carrying capacity must be checked. This is done by means of the f_s index.

$$f_s = \frac{C_0}{P_0}$$

f_s = index of static stressing

C_0 = static load rating [kN]

P_0 = equivalent static load [kN]

The f_s index is a safety factor against permanent deformations of the contact areas of raceway and balls. A high f_s value is required for bearings which must run smoothly. Smaller values suffice when a moderate degree of running smoothness is required.

f_s = 1.5 to 2.5 for a high degree

f_s = 1.0 to 1.5 for a normal degree

f_s = 0.7 to 1.0 for a moderate degree

Other influences on the bearing life

When estimating the life of a bearing not only the fatigue life must be taken into account. If contaminants penetrate into the bearing, if there is corrosion or starved lubrication, a bearing can become un-serviceable as a result of wear.

Calculation of statically stressed bearings

If a statically stressed bearing is simultaneously subjected to a radial load and a thrust load, the bearing calculation is based on the equivalent static load.

Bore reference number	Load rating · Factor Series 162, 362, 562, 762.2RSR		
	C dyn. kN	C_0 stat.	f_0
03	9.5	4.75	13.1
04	12.7	6.55	13.1
05	14.3	7.8	13.8
06	19.3	11.2	13.8
07	25.5	15.3	13.8
08	29	18	14
09	31	20.4	14.3
10	36.5	24	14.3
11	43	29	14.3
12	52	36	14.3
13	60	41.5	14.3
14	62	44	14.4
15	65.5	49	14.7
16	72	53	14.6
17	83	64	14.7
18	96.5	72	14.5

If pressed housings are used, the permissible loads on the housings must be observed (page 14).

Dynamic and static load ratings, f_0 values

MOUNTING OF FAG S-TYPE BEARINGS

Mounting

FAG S-type bearings are used almost exclusively as locating bearings. Therefore, they are particularly suitable for supporting short shafts and for applications where only minor thermal expansions are likely to occur. S-type bearings are also used as locating bearings for applications where a shaft is supported by more than two bearings.

Minor expansions of the shaft are compensated for by the axial clearance of the bearings. If in the case of a shaft supported by two bearings the inner rings of the bearings are pushed towards each other during mounting, a length compensation by twice the axial clearance is possible. In constructions where S-type bearings are mounted into sheet metal walls or sectional steel frames the elasticity of the surrounding structure prevents detrimental preloading of the bearings.

Floating bearings are obtained if the inner ring is provided with a loose fit. For applications where shafts toleranced to h9 are used, a floating bearing should only be mounted at locations subjected to slight stressing or if the inner ring accommodates a point load. It is better to machine the bearing seat to h7 or j7.

Fastening on the shaft

Eccentric self-locking collars are tightened in the main direction of shaft rotation, in the case of rotating housings against the direction of housing rotation.

As the inner ring of the bearing cannot be held in place the eccentric self-locking collar is tightened with a slight jerk first. The eccentric self-locking collar is then securely localized by means of hammer and metal drift. The eccentric

self-locking collar has a radial hole where the metal drift can be applied. Finally, the collar is localized by means of a threaded pin.

Bearings with an extended inner ring (series 562) are fastened on the shaft by means of two threaded pins. The threaded pins must be tightened so that the cutting edges are pressed into the shaft. If increased axial loads or impacts have to be accommodated the inner ring is supported against a shaft shoulder. A greater axial load carrying capacity is achieved if the shafts have holes into which the threaded pins are inserted. The tightening torques required for the threaded pins are listed on page 8.

MOUNTING OF FAG S-TYPE BEARINGS

Grey-cast iron plumber block housings

Mounting S-type bearings with grey-cast iron plumber block housings (series FAG P2 and PA2)

a: Insert S-type bearing into the two recesses; remove eccentric self-locking collar first.



b: Swing bearing into the right position using a pin or a section of pipe; for this purpose the housing is best clamped in a vice.



c: Push bearing unit onto the shaft together with the eccentric self-locking collar.



d: Fasten the housing with bolts.



e: Manually tighten eccentric self-locking collar with a slight jerk in the direction of shaft rotation.



f: Localize eccentric self-locking collar by means of metal drift and hammer.



g: Tighten threaded pin.



h: Series 562: tighten both threaded pins.



Note:
Proceed accordingly when mounting S-type bearings with take-up unit housings (series T2).

MOUNTING OF FAG S-TYPE BEARINGS

Grey-cast iron flanged housings

Mounting S-type bearings with grey-cast iron flanged housings (series FAG F2, FL2 and FC2)

a: Insert S-type bearing into the two recesses; remove eccentric self-locking collar first.



b: Swing bearing into the right position using a pin or a section of pipe; for this purpose the housing is best clamped in a vice.



c: Push bearing unit onto the shaft together with the eccentric self-locking collar.



d: Fasten the housing with bolts.



e: Manually tighten eccentric self-locking collar with a slight jerk in the direction of shaft rotation.



f: Localize eccentric self-locking collar by means of metal drift and hammer.



g: Tighten threaded pin.



h: Series 562: tighten both threaded pins.



MOUNTING OF FAG S-TYPE BEARINGS

Pressed steel plummer block housings

Mounting S-type bearings with pressed steel plummer block housings (series FAG SB2)

a: Assemble housing and bearing and push them onto the shaft.



b: Slightly tighten bolts. Assemble housing and bearing at the other shaft end in the same manner. Securely tighten bolts.



c: Manually tighten eccentric self-locking collar in the direction of shaft rotation.



d: Localize eccentric self-locking collar by means of metal drift and hammer.



e: Tighten threaded pin.



MOUNTING OF FAG S-TYPE BEARINGS

Pressed steel flanged housings

Mounting S-type bearings with pressed steel flanged housings (series FAG FB2 and FBB2)

a: Assemble housing and bearing and push them onto the shaft.



b: Slightly tighten bolts. Assemble housing and bearing at the other shaft end in the same manner. Securely tighten bolts.



c: Manually tighten eccentric self-locking collar in the direction of shaft rotation.



d: Localize eccentric self-locking collar by means of metal drift and hammer.



e: Tighten threaded pin.

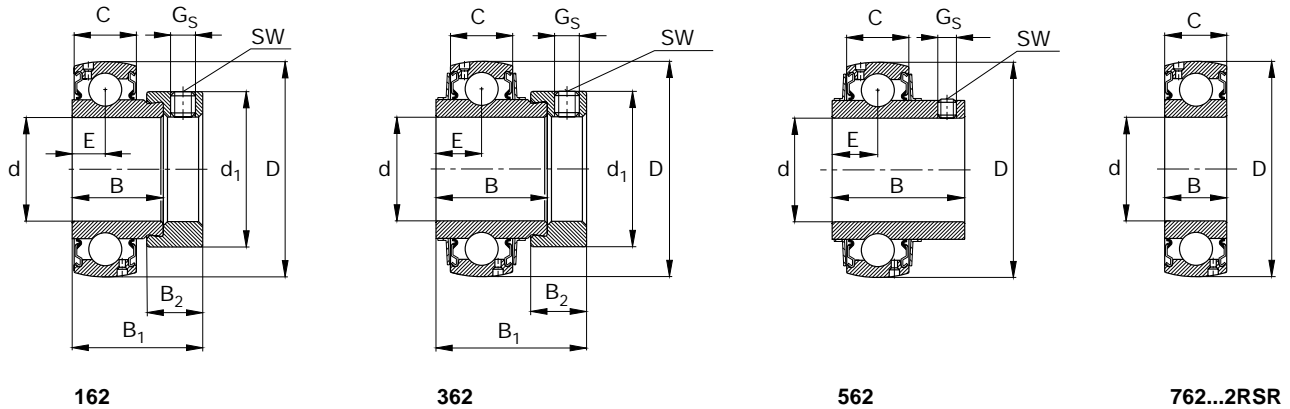


f: series 562: tighten both threaded pins.



FAG S-TYPE BEARINGS FOR METRIC AND INCH SHAFT SIZES

Series 162, 362, 562, 762...2RSR

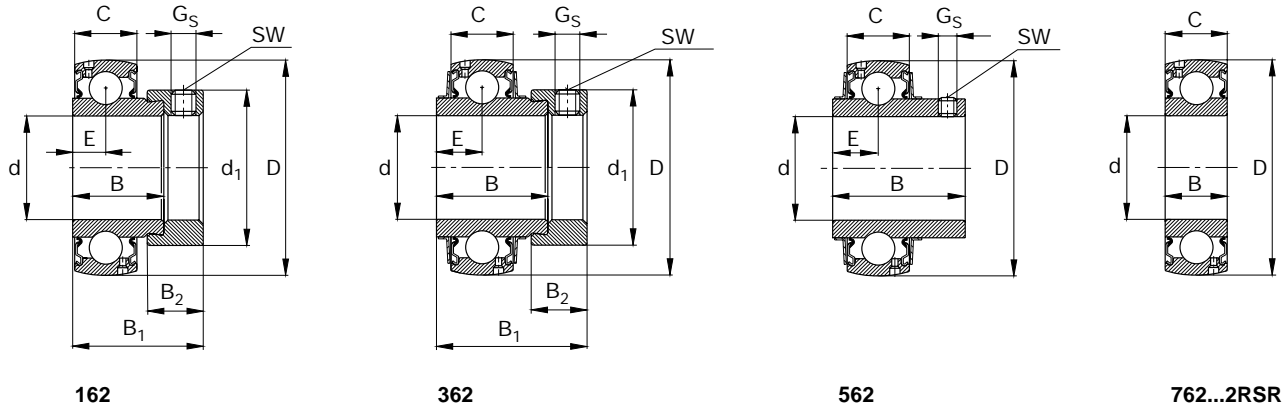


Shaft	Dimensions										Load rating		Code Bearing with locking device	Mass ≈ kg
	d	D	C	B	B ₁	d ₁ max	B ₂	E	G _s	SW	dyn. C	stat. C ₀		
mm in	mm								mm in		kN		FAG	
12	12	40	12	19.1	28.6	28.6	13.5	6.5	M6x0.75	3	9.5	4.75	16203/12	0.13
1/2	12.7	40	12	19.1	28.6	28.6	13.5	6.5	1/4-28UNF	1/8	9.5	4.75	16203.008	0.128
9/16	14.288	40	12	19.1	28.6	28.6	13.5	6.5	1/4-28UNF	1/8	9.5	4.75	16203.009	0.123
15	15	40	12	19.1	28.6	28.6	13.5	6.5	M6x0.75	3	9.5	4.75	16203/15	0.12
5/8	15.875	40	12	19.1	28.6	28.6	13.5	6.5	1/4-28UNF	1/8	9.5	4.75	16203.010	0.117
17	17	40	12	19.1	28.6	28.6	13.5	6.5	M6x0.75	3	9.5	4.75	16203	0.1
	17	40	12	12							9.5	4.75	76203.2RSR	0.064
11/16	17.463	40	12	19.1	28.6	28.6	13.5	6.5	1/4-28UNF	1/8	9.5	4.75	16203.011	0.091
3/4	19.05	47	14	21.5	31	33.3	13.5	7.5	1/4-28UNF	1/8	12.7	6.55	16204.012	0.154
	19.05	47	17	34.2	43.7	33.3	13.5	17.1	1/4-28UNF	1/8	12.7	6.55	36204.012	0.208
	19.05	47	17	31				12.7	1/4-28UNF	1/8	12.7	6.55	56204.012	0.162
20	20	47	14	21.5	31	33.3	13.5	7.5	M6x0.75	3	12.7	6.55	16204	0.15
	20	47	17	34.2	43.7	33.3	13.5	17.1	M6x0.75	3	12.7	6.55	36204	0.2
	20	47	17	31				12.7	M6x0.75	3	12.7	6.55	56204	0.14
	20	47	14	14							12.7	6.55	76204.2RSR	0.106
13/16	20.638	52	15	21.5	31	38.1	13.5	7.5	1/4-28UNF	1/8	14	7.8	16205.013	0.246
	20.638	52	17	34.9	44.4	38.1	13.5	17.5	1/4-28UNF	1/8	14	7.8	36205.013	0.313
	20.638	52	17	34.1				14.3	1/4-28UNF	1/8	14	7.8	56205.013	0.238
7/8	22.225	52	15	21.5	31	38.1	13.5	7.5	1/4-28UNF	1/8	14	7.8	16205.014	0.237
	22.225	52	17	34.9	44.4	38.1	13.5	17.5	1/4-28UNF	1/8	14	7.8	36205.014	0.298
	22.225	52	17	34.1				14.3	1/4-28UNF	1/8	14	7.8	56205.014	0.223
15/16	23.813	52	15	21.5	31	38.1	13.5	7.5	1/4-28UNF	1/8	14	7.8	16205.015	0.228
	23.813	52	17	34.9	44.4	38.1	13.5	17.5	1/4-28UNF	1/8	14	7.8	36205.015	0.282
	23.813	52	17	34.1				14.3	1/4-28UNF	1/8	14	7.8	56205.015	0.208
25	25	52	15	21.5	31	38.1	13.5	7.5	M6x0.75	3	14	7.8	16205	0.22
	25	52	17	34.9	44.4	38.1	13.5	17.5	M6x0.75	3	14	7.8	36205	0.27
	25	52	17	34.1				14.5	M6x0.75	3	14	7.8	56205	0.19
	25	52	15	15							14	7.8	76205.2RSR	0.128

The **designs** in boldface are most readily available. Information on other designs will be supplied on request.

FAG S-TYPE BEARINGS FOR METRIC AND INCH SHAFT SIZES

Series 162, 362, 562, 762...2RSR

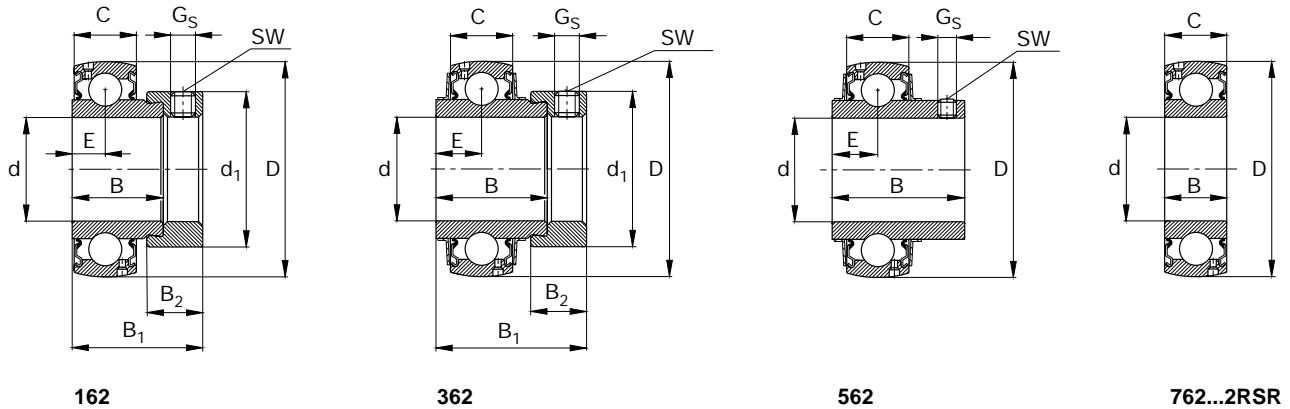


Shaft	Dimensions										Load rating		Code Bearing with locking device	Mass ≈ kg
	d	D	C	B	B ₁	d ₁ max	B ₂	E	G _S	SW	dyn. C	stat. C ₀		
mm in	mm								mm in		kN		FAG	
1	25.4	52	15	21.5	31	38.1	13.5	7.5	1/4-28UNF	1/8	14	7.8	16205.100	0.217
	25.4	52	17	34.9	44.4	38.1	13.5	17.5	1/4-28UNF	1/8	14	7.8	36205.100	0.265
	25.4	52	17	34.1				14.3	1/4-28UNF	1/8	14	7.8	56205.100	0.188
1 1/16	26.988	62	16	23.8	35.7	44.5	15.9	9	5/16-24UNF	5/32	19.3	11.2	16206.101	0.325
	26.988	62	19	36.5	48.4	44.5	15.9	18.3	5/16-24UNF	5/32	19.3	11.2	36206.101	0.459
	26.988	62	19	38.1				15.9	1/4-28UNF	1/8	19.3	11.2	56206.101	0.352
1 1/8	28.575	62	16	23.8	35.7	44.5	15.9	9	5/16-24UNF	5/32	19.3	11.2	16206.102	0.312
	28.575	62	19	36.5	48.4	44.5	15.9	18.3	5/16-24UNF	5/32	19.3	11.2	36206.102	0.439
	28.575	62	19	38.1				15.9	1/4-28UNF	1/8	19.3	11.2	56206.102	0.331
30	30	62	16	23.8	35.7	44.5	15.9	9	M8x1	4	19.3	11.2	16206	0.3
	30	62	19	36.5	48.4	44.5	15.9	18.3	M8x1	4	19.3	11.2	36206	0.42
	30	62	19	38.1				15.9	M6x0.75	3	19.3	11.2	56206	0.31
	30	62	16	16							19.3	11.2	76206.2RSR	0.193
1 3/16	30.163	62	16	23.8	35.7	44.5	15.9	9	5/16-24UNF	5/32	19.3	11.2	16206.103	0.299
	30.163	62	19	36.5	48.4	44.5	15.9	18.3	5/16-24UNF	5/32	19.3	11.2	36206.103	0.418
	30.163	62	19	38.1				15.9	1/4-28UNF	1/8	19.3	11.2	56206.103	0.308
1 1/4	31.75	62	16	23.8	35.7	44.5	15.9	9	5/16-24UNF	5/32	19.3	11.2	16206.104	0.284
	31.75	62	19	36.5	48.4	44.5	15.9	18.3	5/16-24UNF	5/32	19.3	11.2	36206.104	0.396
	31.75	62	19	38.1				15.9	1/4-28UNF	1/8	19.3	11.2	56206.104	0.284
	31.75	72	17	25.4	38.9	55.6	17.5	9.5	5/16-24UNF	5/32	25.5	15.3	16207.104	0.534
1 1/2	31.75	72	20	37.6	51.1	55.6	17.5	18.8	5/16-24UNF	5/32	25.5	15.3	36207.104	0.69
	31.75	72	20	42.9				17.5	5/16-24UNF	5/32	25.5	15.3	56207.104	0.539
	33.338	72	17	25.4	38.9	55.6	17.5	9.5	5/16-24UNF	5/32	25.5	15.3	16207.105	0.518
1 5/16	33.338	72	20	37.6	51.1	55.6	17.5	18.8	5/16-24UNF	5/32	25.5	15.3	36207.105	0.666
	33.338	72	20	42.9				17.5	5/16-24UNF	5/32	25.5	15.3	56207.105	0.512
	34.925	72	17	25.4	38.9	55.6	17.5	9.5	5/16-24UNF	5/32	25.5	15.3	16207.106	0.501
1 3/8	34.925	72	20	37.6	51.1	55.6	17.5	18.8	5/16-24UNF	5/32	25.5	15.3	36207.106	0.641
	34.925	72	20	42.9				17.5	5/16-24UNF	5/32	25.5	15.3	56207.106	0.483
	35	72	17	25.4	38.9	55.6	17.5	9.5	M8x1	4	25.5	15.3	16207	0.5
35	35	72	20	37.6	51.1	55.6	17.5	18.8	M8x1	4	25.5	15.3	36207	0.64
	35	72	20	42.9				17.5	M8x1	4	25.5	15.3	56207	0.47
	35	72	17	17							25.5	15.3	76207.2RSR	0.288
	35	72	17	17							25.5	15.3		

The **designs** in boldface are most readily available. Information on other designs will be supplied on request.

FAG S-TYPE BEARINGS FOR METRIC AND INCH SHAFT SIZES

Series 162, 362, 562, 762...2RSR

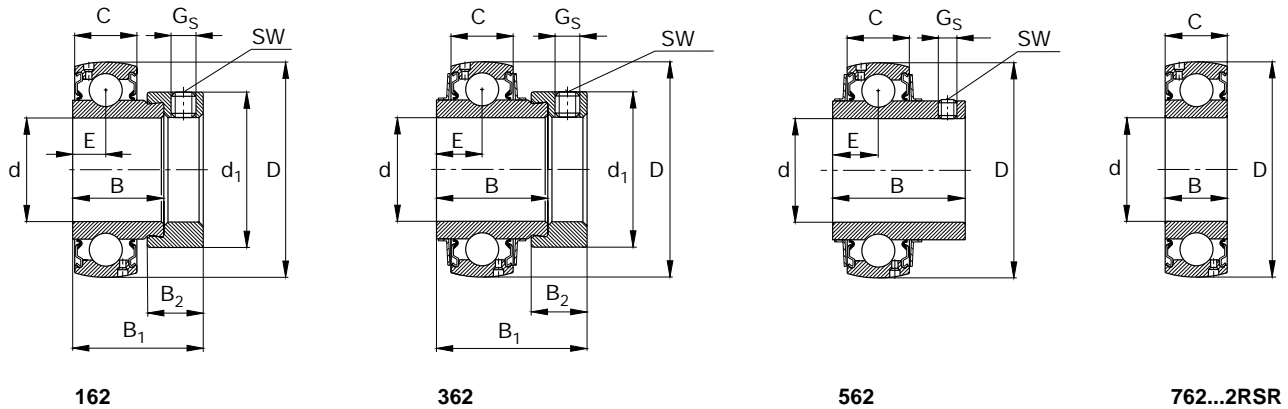


Shaft	Dimensions										Load rating		Code Bearing with locking device	Mass ≈ kg
	d	D	C	B	B ₁	d ₁ max	B ₂	E	G _s	SW	dyn. C	stat. C ₀		
mm in	mm								mm in		kN		FAG	
1 7/16	36.513	72	17	25.4	38.9	55.6	17.5	9.5	5/16-24UNF	5/32	25.5	15.3	16207.107	0.483
	36.513	72	20	37.6	51.1	55.6	17.5	18.8	5/16-24UNF	5/32	25.5	15.3	36207.107	0.615
	36.513	72	20	42.9				17.5	5/16-24UNF	5/32	25.5	15.3	56207.107	0.453
1 1/2	38.1	80	18	30.2	43.7	60.3	18.3	11	5/16-24UNF	5/32	29	18	16208.108	0.656
	38.1	80	21	42.8	56.3	60.3	18.3	21.4	5/16-24UNF	5/32	29	18	36208.108	0.879
	38.1	80	21	49.2				19	5/16-24UNF	5/32	29	18	56208.108	0.637
1 9/16	39.688	80	18	30.2	43.7	60.3	18.3	11	5/16-24UNF	5/32	29	18	16208.109	0.634
	39.688	80	21	42.8	56.3	60.3	18.3	21.4	5/16-24UNF	5/32	29	18	36208.109	0.846
	39.688	80	21	49.2				19	5/16-24UNF	5/32	29	18	56208.109	0.612
40	40	80	18	30.2	43.7	60.3	18.3	11	M10x1.25	5	29	18	16208	0.63
	40	80	21	42.8	56.3	60.3	18.3	21.4	M10x1.25	5	29	18	36208	0.84
	40	80	21	49.2				19	M8x1	4	29	18	56208	0.61
	40	80	18	18							29	18	76208.2RSR	0.366
1 5/8	41.275	85	19	30.2	43.7	63.5	18.3	11	5/16-24UNF	5/32	31	20.4	16209.110	0.74
	41.275	85	22	42.8	56.3	63.5	18.3	21.4	5/16-24UNF	5/32	31	20.4	36209.110	0.965
	41.275	85	22	49.2				19	5/16-24UNF	5/32	31	20.4	56209.110	0.84
1 11/16	42.863	85	19	30.2	43.7	63.5	18.3	11	5/16-24UNF	5/32	31	20.4	16209.111	0.715
	42.863	85	22	42.8	56.3	63.5	18.3	21.4	5/16-24UNF	5/32	31	20.4	36209.111	0.93
	42.863	85	22	49.2				19	5/16-24UNF	5/32	31	20.4	56209.111	0.8
1 3/4	44.45	85	19	30.2	43.7	63.5	18.3	11	5/16-24UNF	5/32	31	20.4	16209.112	0.689
	44.45	85	22	42.8	56.3	63.5	18.3	21.4	5/16-24UNF	5/32	31	20.4	36209.112	0.893
	44.45	85	22	49.2				19	5/16-24UNF	5/32	31	20.4	56209.112	0.766
45	45	85	19	30.2	43.7	63.5	18.3	11	M10x1.25	5	31	20.4	16209	0.68
	45	85	22	42.8	56.3	63.5	18.3	21.4	M10x1.25	5	31	20.4	36209	0.88
	45	85	22	49.2				19	M8x1	4	31	20.4	56209	0.76
	45	85	19	19							31	20.4	76209.2RSR	0.407
1 13/16	46.038	90	20	30.2	43.7	69.9	18.3	11	5/16-24UNF	5/32	36.5	24	16210.113	0.841
	46.038	90	24	49.2	62.7	69.9	18.3	24.6	5/16-24UNF	5/32	36.5	24	36210.113	1.13
	46.038	90	24	51.6				19	3/8-24UNF	3/16	36.5	24	56210.113	0.908
1 7/8	47.625	90	20	30.2	43.7	69.9	18.3	11	5/16-24UNF	5/32	36.5	24	16210.114	0.813
	47.625	90	24	49.2	62.7	69.9	18.3	24.6	5/16-24UNF	5/32	36.5	24	36210.114	1.08
	47.625	90	24	51.6				19	3/8-24UNF	3/16	36.5	24	56210.114	0.861

The **designs** in boldface are most readily available. Information on other designs will be supplied on request.

FAG S-TYPE BEARINGS FOR METRIC AND INCH SHAFT SIZES

Series 162, 362, 562, 762...2RSR

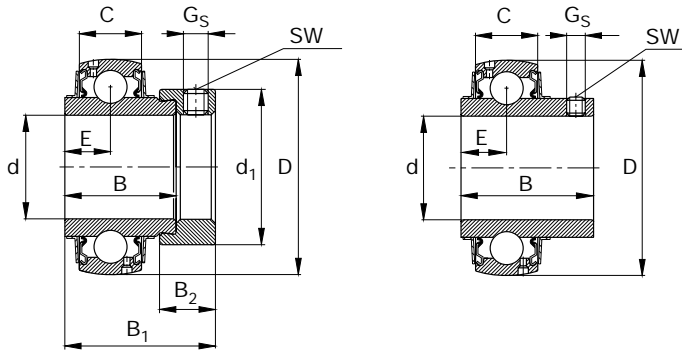


Shaft	Dimensions										Load rating		Code Bearing with locking device	Mass ≈ kg
	d	D	C	B	B ₁	d ₁ max	B ₂	E	G _s	SW	dyn. C	stat. C ₀		
mm in	mm								mm in		kN			
1 ¹⁵ / ₁₆	49.213	90	20	30.2	43.7	69.9	18.3	11	<i>5</i> / ₁₆ -24UNF	<i>5</i> / ₃₂	36.5	24	16210.115	0.785
	49.213	90	24	49.2	62.7	69.9	18.3	24.6	<i>5</i> / ₁₆ -24UNF	<i>5</i> / ₃₂	36.5	24	36210.115	1.03
	49.213	90	24	51.6				19	<i>3</i> / ₈ -24UNF	<i>3</i> / ₁₆	36.5	24	56210.115	0.812
50	50	90	20	30.2	43.7	69.9	18.3	11	M10x1.25	5	36.5	24	16210	0.77
	50	90	24	49.2	62.7	69.9	18.3	24.6	M10x1.25	5	36.5	24	36210	1.01
	50	90	24	51.6				19	M10x1.25	5	36.5	24	56210	0.77
	50	90	20	20							36.5	24	76210.2RSR	0.463
2	50.8	100	21	32.5	48.4	76.2	20.7	12	<i>3</i> / ₈ -24UNF	<i>3</i> / ₁₆	43	29	16211.200	0.96
	50.8	100	25	55.5	71.4	76.2	20.7	27.8	<i>3</i> / ₈ -24UNF	<i>3</i> / ₁₆	43	29	36211.200	1.5
	50.8	100	25	55.6				22.2	<i>3</i> / ₈ -24UNF	<i>3</i> / ₁₆	43	29	56211.200	1.26
2 ¹ / ₈	53.975	100	21	32.5	48.4	76.2	20.7	12	<i>3</i> / ₈ -24UNF	<i>3</i> / ₁₆	43	29	16211.202	0.87
	53.975	100	25	55.5	71.4	76.2	20.7	27.8	<i>3</i> / ₈ -24UNF	<i>3</i> / ₁₆	43	29	36211.202	1.45
	53.975	100	25	55.6				22.2	<i>3</i> / ₈ -24UNF	<i>3</i> / ₁₆	43	29	56211.202	1.21
55	55	100	21	32.5	48.4	76.2	20.7	12	M10x1.25	5	43	29	16211	0.83
	55	100	25	55.5	71.4	76.2	20.7	27.8	M10x1.25	5	43	29	36211	1.43
	55	100	25	55.6				22.2	M10x1.25	5	43	29	56211	1.19
	55	100	21	21							43	29	76211.2RSR	0.667
2 ³ / ₁₆	55.563	100	21	32.5	48.4	76.2	20.7	12	<i>3</i> / ₈ -24UNF	<i>3</i> / ₁₆	43	29	16211.203	0.81
	55.563	100	25	55.5	71.4	76.2	20.7	27.8	<i>3</i> / ₈ -24UNF	<i>3</i> / ₁₆	43	29	36211.203	0.951
	55.563	100	25	55.6				22.2	<i>3</i> / ₈ -24UNF	<i>3</i> / ₁₆	43	29	56211.203	1.16
2 ¹ / ₄	57.15	110	22	37.1	53.1	84.2	22.3	13.5	<i>3</i> / ₈ -24UNF	<i>3</i> / ₁₆	52	36	16212.204	1.3
	57.15	110	27	61.9	77.8	84.2	22.3	31	<i>3</i> / ₈ -24UNF	<i>3</i> / ₁₆	52	36	36212.204	2
	57.15	110	27	65.1				25.4	<i>3</i> / ₈ -24UNF	<i>3</i> / ₁₆	52	36	56212.204	1.59
60	60	110	22	37.1	53.1	84.2	22.3	13.5	M10x1.25	5	52	36	16212	1.17
	60	110	27	61.9	77.8	84.2	22.3	31	M10x1.25	5	52	36	36212	1.9
	60	110	27	65.1				25.4	M10x1.25	5	52	36	56212	1.52
	60	110	22	22							52	36	76212.2RSR	0.6
2 ³ / ₈	60.325	110	22	37.1	53.1	84.2	22.3	13.5	<i>3</i> / ₈ -24UNF	<i>3</i> / ₁₆	52	36	16212.206	1.16
	60.325	110	27	61.9	77.8	84.2	22.3	31	<i>3</i> / ₈ -24UNF	<i>3</i> / ₁₆	52	36	36212.206	1.8
	60.325	110	27	65.1				25.4	<i>3</i> / ₈ -24UNF	<i>3</i> / ₁₆	52	36	56212.206	1.39
2 ⁷ / ₁₆	61.913	110	22	37.1	53.1	84.2	22.3	13.5	<i>3</i> / ₈ -24UNF	<i>3</i> / ₁₆	52	36	16212.207	1.08
	61.913	110	27	61.9	77.8	84.2	22.3	31	<i>3</i> / ₈ -24UNF	<i>3</i> / ₁₆	52	36	36212.207	1.78
	61.913	110	27	65.1				25.4	<i>3</i> / ₈ -24UNF	<i>3</i> / ₁₆	52	36	56212.207	1.31

The **designs** in boldface are most readily available. Information on other designs will be supplied on request.

FAG S-TYPE BEARINGS FOR METRIC AND INCH SHAFT SIZES

Series 362, 562



362

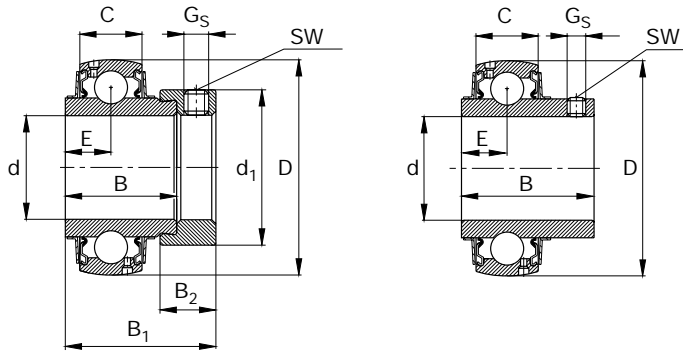
562

Shaft	Dimensions										Load rating		Code Bearing with locking device	Mass ≈ kg
	d	D	C	B	B ₁	d ₁ max	B ₂	E	G _S	SW	dyn. C	stat. C ₀		
mm in	mm								mm in		kN		FAG	
2 1/2	63.5	120	28	48.5	66.1	97	23.9	21.5	3/8 - 24UNF	3/16	60	41.5	36213.208	2.81
	63.5	120	30	65.1				25.4	3/8 - 24UNF	3/16	60	41.5	56213.208	1.71
65	65	120	28	48.5	66.1	97	23.9	21.5	M12x1.5	6	60	41.5	36213	2.71
	65	120	30	65.1				25.4	M10x1.25	5	60	41.5	56213	1.63
2 9/16	65.087	120	28	48.5	66.1	97	23.9	21.5	3/8 - 24UNF	3/16	60	41.5	36213.209	2.66
	65.087	120	30	65.1				25.4	3/8 - 24UNF	3/16	60	41.5	56213.209	1.56
2 5/8	66.675	125	28	48.5	66.1	97	23.9	21.5	3/8 - 24UNF	3/16	62	44	36214.210	2.56
	66.675	125	30	74.6				30.2	7/16 - 20UNF	7/32	62	44	56214.210	2.13
2 11/16	68.262	125	28	48.5	66.1	97	23.9	21.5	3/8 - 24UNF	3/16	62	44	36214.211	2.55
	68.262	125	30	74.6				30.2	7/16 - 20UNF	7/32	62	44	56214.211	2.03
2 3/4	69.85	125	28	48.5	66.1	97	23.9	21.5	3/8 - 24UNF	3/16	62	44	36214.212	2.46
	69.85	125	30	74.6				30.2	7/16 - 20UNF	7/32	62	44	56214.212	2.02
70	70	125	28	48.5	66.1	97	23.9	21.5	M12x1.5	6	62	44	36214	2.45
	70	125	30	74.6				30.2	M12x1.5	6	62	44	56214	1.92
2 13/16	71.437	130	28	49.5	67.1	101	23.9	21.5	3/8 - 24UNF	3/16	65.5	49	36215.213	2.87
	71.437	130	32	77.8				33.3	7/16 - 20UNF	7/32	65.5	49	56215.213	2.38
2 7/8	73.025	130	28	49.5	67.1	101	23.9	21.5	3/8 - 24UNF	3/16	65.5	49	36215.214	2.77
	73.025	130	32	77.8				33.3	7/16 - 20UNF	7/32	65.5	49	56215.214	2.27
2 15/16	74.612	130	28	49.5	67.1	101	23.9	21.5	3/8 - 24UNF	3/16	65.5	49	36215.215	2.68
	74.612	130	32	77.8				33.3	7/16 - 20UNF	7/32	65.5	49	56215.215	2.16
75	75	130	28	49.5	67.1	101	23.9	21.5	M12x1.5	6	65.5	49	36215	2.65
	75	130	32	77.8				33.3	M12x1.5	6	65.5	49	56215	2.13
3	76.2	130	28	49.5	67.1	101	23.9	21.5	3/8 - 24UNF	3/16	65.5	49	36215.300	2.58
	76.2	130	32	77.8				33.3	7/16 - 20UNF	7/32	65.5	49	56215.300	2.04
3 1/8	79.375	140	30	53.2	71	109	23.9	23.4	7/16 - 20UNF	7/32	72	53	36216.302	3
	79.375	140	33	82.6				33.3	7/16 - 20UNF	7/32	72	53	56216.302	2.95
80	80	140	30	53.2	71	109	23.9	23.4	M12x1.5	6	72	53	36216	2.95
	80	140	33	82.6				33.3	M12x1.5	6	72	53	56216	2.9

The **designs** in boldface are most readily available. Information on other designs will be supplied on request.

FAG S-TYPE BEARINGS FOR METRIC AND INCH SHAFT SIZES

Series 362, 562



362

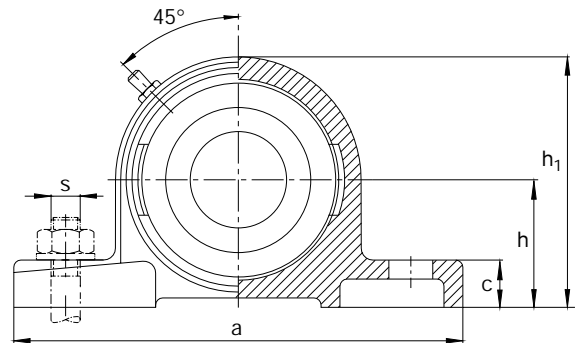
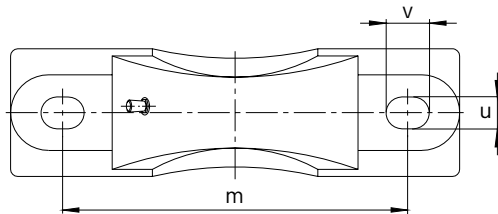
562

Shaft	Dimensions										Load rating		Code Bearing with locking device	Mass ≈ kg
	d	D	C	B	B ₁	d ₁ max	B ₂	E	G _S	SW	dyn. C	stat. C ₀		
mm in	mm								mm in		kN		FAG	
3 1/4	82.55	150	34	53.2	71	113	23.9	23.4	7/16-20UNF	7/32	83	64	36217.304	3.9
	82.55	150	35	85.7				34.1	7/16-20UNF	7/32	83	64	56217.304	3.64
85	85	150	34	53.2	71	113	23.9	23.4	M12x1.5	6	83	64	36217	3.72
	85	150	35	85.7				34.1	M12x1.5	6	83	64	56217	3.46
3 1/2	88.9	160	36	52	69.5	119	23.9	23	7/16-20UNF	7/32	96.5	72	36218.308	4.75
	88.9	160	37	96				39.7	1/2-20UNF	1/4	96.5	72	56218.308	4.65
90	90	160	36	52	69.5	119	23.9	23	M12x1.5	6	96.5	72	36218	4.65
	90	160	37	96				39.7	M12x1.5	6	96.5	72	56218	4.53

The **designs** in boldface are most readily available. Information on other designs will be supplied on request.

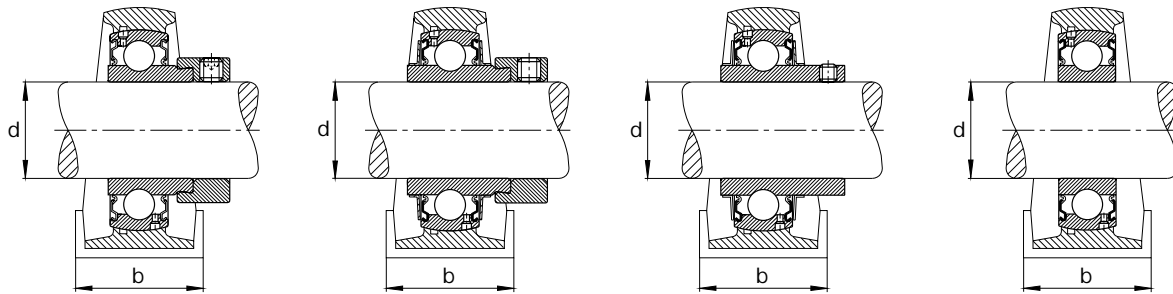
FAG S-TYPE BEARING UNITS

Series P162, P362, P562, P762..2RSR
Plummer block housings of grey-cast iron



Shaft	Code		Dimensions										Fastening bolt		Mass ≈ S-type bearing unit kg	
	mm in	mm FAG	Plummer block unit S-type bearing with locking device FAG	Housing FAG	a	b	c	h	h ₁	m	u	v	s	mm in		
12	12	P16203/12	16203/12	P203	125	32	13	30.2	57	96	11.5	16	M10	3/8	0.58	
	1/2	12.7	P16203.008	16203.008	P203	125	32	13	30.2	57	96	11.5	16	M10	3/8	0.578
	9/16	14.288	P16203.009	16203.009	P203	125	32	13	30.2	57	96	11.5	16	M10	3/8	0.573
15	15	P16203/15	16203/15	P203	125	32	13	30.2	57	96	11.5	16	M10	3/8	0.57	
	5/8	15.875	P16203.010	16203.010	P203	125	32	13	30.2	57	96	11.5	16	M10	3/8	0.567
17	17	P16203	16203	P203	125	32	13	30.2	57	96	11.5	16	M10	3/8	0.55	
	17	P76203.2RSR	76203.2RSR	P203	125	32	13	30.2	57	96	11.5	16	M10	3/8	0.514	
	11/16	17.463	P16203.011	16203.011	P203	125	32	13	30.2	57	96	11.5	16	M10	3/8	0.541
	3/4	19.05	P16204.012	16204.012	P204	127	38	14	33.3	65	95	11.5	16	M10	3/8	0.704
20	19.05	P36204.012	36204.012	P204	127	38	14	33.3	65	95	11.5	16	M10	3/8	0.758	
	19.05	P56204.012	56204.012	P204	127	38	14	33.3	65	95	11.5	16	M10	3/8	0.712	
	20	P16204	16204	P204	127	38	14	33.3	65	95	11.5	16	M10	3/8	0.7	
	20	P36204	36204	P204	127	38	14	33.3	65	95	11.5	16	M10	3/8	0.75	
	20	P56204	56204	P204	127	38	14	33.3	65	95	11.5	16	M10	3/8	0.69	
	20	P76204.2RSR	76204.2RSR	P204	127	38	14	33.3	65	95	11.5	16	M10	3/8	0.656	
	13/16	20.638	P16205.013	16205.013	P205	140	38	15	36.5	71	105	11.5	16	M10	3/8	0.946
	20.638	P36205.013	36205.013	P205	140	38	15	36.5	71	105	11.5	16	M10	3/8	1.13	
	20.638	P56205.013	56205.013	P205	140	38	15	36.5	71	105	11.5	16	M10	3/8	0.938	
	7/8	22.225	P16205.014	16205.014	P205	140	38	15	36.5	71	105	11.5	16	M10	3/8	0.937
15/16	22.225	P36205.014	36205.014	P205	140	38	15	36.5	71	105	11.5	16	M10	3/8	0.998	
	22.225	P56205.014	56205.014	P205	140	38	15	36.5	71	105	11.5	16	M10	3/8	0.923	
	23.813	P16205.015	16205.015	P205	140	38	15	36.5	71	105	11.5	16	M10	3/8	0.928	
25	23.813	P36205.015	36205.015	P205	140	38	15	36.5	71	105	11.5	16	M10	3/8	0.982	
	23.813	P56205.015	56205.015	P205	140	38	15	36.5	71	105	11.5	16	M10	3/8	0.908	
	25	P16205	16205	P205	140	38	15	36.5	71	105	11.5	16	M10	3/8	0.92	
	25	P36205	36205	P205	140	38	15	36.5	71	105	11.5	16	M10	3/8	0.97	
	25	P56205	56205	P205	140	38	15	36.5	71	105	11.5	16	M10	3/8	0.89	
25	P76205.2RSR	76205.2RSR	P205	140	38	15	36.5	71	105	11.5	16	M10	3/8	0.828		

The **designs** in boldface are most readily available. Information on other designs will be supplied on request.



P162

P362

P562

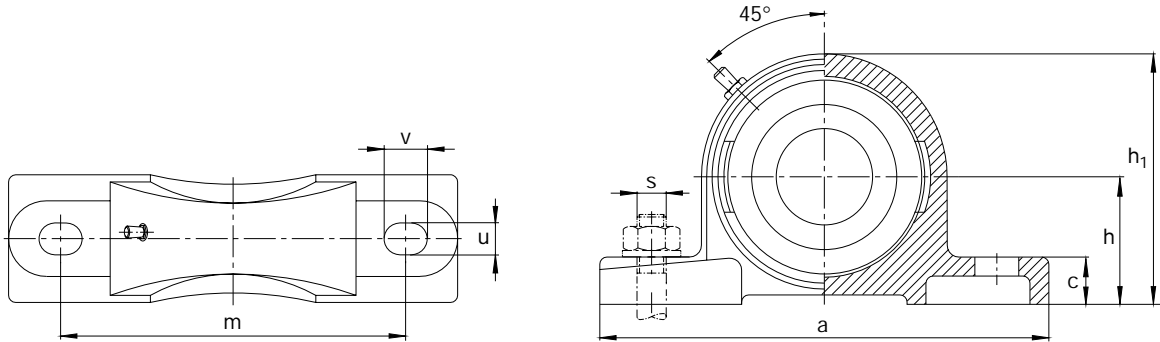
P762...2RSR

Shaft	Code			Dimensions								Fastening bolt		Mass ≈ S-type bearing unit kg		
	mm	mm	FAG	Plummer block unit	S-type bearing with locking device	Housing	a	b	c	h	h ₁	m	u		v	s
1	25.4	25.4	P16205.100	16205.100	P205	140	38	15	36.5	71	105	11.5	16	M10	3/8	0.917
	25.4	25.4	P36205.100	36205.100	P205	140	38	15	36.5	71	105	11.5	16	M10	3/8	0.965
	25.4	25.4	P56205.100	56205.100	P205	140	38	15	36.5	71	105	11.5	16	M10	3/8	0.888
1 1/16	26.988	26.988	P16206.101	16206.101	P206	165	48	17	42.9	83	121	14	19	M12	1/2	1.33
	26.988	26.988	P36206.101	36206.101	P206	165	48	17	42.9	83	121	14	19	M12	1/2	1.46
	26.988	26.988	P56206.101	56206.101	P206	165	48	17	42.9	83	121	14	19	M12	1/2	1.35
1 1/8	28.575	28.575	P16206.102	16206.102	P206	165	48	17	42.9	83	121	14	19	M12	1/2	1.31
	28.575	28.575	P36206.102	36206.102	P206	165	48	17	42.9	83	121	14	19	M12	1/2	1.44
	28.575	28.575	P56206.102	56206.102	P206	165	48	17	42.9	83	121	14	19	M12	1/2	1.33
30	30	30	P16206	16206	P206	165	48	17	42.9	83	121	14	19	M12	1/2	1.3
	30	30	P36206	36206	P206	165	48	17	42.9	83	121	14	19	M12	1/2	1.42
	30	30	P56206	56206	P206	165	48	17	42.9	83	121	14	19	M12	1/2	1.31
	30	30	P76206.2RSR	76206.2RSR	P206	165	48	17	42.9	83	121	14	19	M12	1/2	1.19
1 3/16	30.163	30.163	P16206.103	16206.103	P206	165	48	17	42.9	83	121	14	19	M12	1/2	1.3
	30.163	30.163	P36206.103	36206.103	P206	165	48	17	42.9	83	121	14	19	M12	1/2	1.42
	30.163	30.163	P56206.103	56206.103	P206	165	48	17	42.9	83	121	14	19	M12	1/2	1.31
1 1/4	31.75	31.75	P16206.104	16206.104	P206	165	48	17	42.9	83	121	14	19	M12	1/2	1.28
	31.75	31.75	P36206.104	36206.104	P206	165	48	17	42.9	83	121	14	19	M12	1/2	1.4
	31.75	31.75	P56206.104	56206.104	P206	165	48	17	42.9	83	121	14	19	M12	1/2	1.28
1 1/2	31.75	31.75	P16207.104	16207.104	P207	167	48	18	47.6	93	126	14	19	M12	1/2	1.78
	31.75	31.75	P36207.104	36207.104	P207	167	48	18	47.6	93	126	14	19	M12	1/2	1.94
	31.75	31.75	P56207.104	56207.104	P207	167	48	18	47.6	93	126	14	19	M12	1/2	1.79
	31.75	31.75	P16207.105	16207.105	P207	167	48	18	47.6	93	126	14	19	M12	1/2	1.77
1 5/16	33.338	33.338	P16207.105	16207.105	P207	167	48	18	47.6	93	126	14	19	M12	1/2	1.92
	33.338	33.338	P36207.105	36207.105	P207	167	48	18	47.6	93	126	14	19	M12	1/2	1.76
	33.338	33.338	P56207.105	56207.105	P207	167	48	18	47.6	93	126	14	19	M12	1/2	1.76
1 3/8	34.925	34.925	P16207.106	16207.106	P207	167	48	18	47.6	93	126	14	19	M12	1/2	1.75
	34.925	34.925	P36207.106	36207.106	P207	167	48	18	47.6	93	126	14	19	M12	1/2	1.89
	34.925	34.925	P56207.106	56207.106	P207	167	48	18	47.6	93	126	14	19	M12	1/2	1.73
35	35	35	P16207	16207	P207	167	48	18	47.6	93	126	14	19	M12	1/2	1.75
	35	35	P36207	36207	P207	167	48	18	47.6	93	126	14	19	M12	1/2	1.89
	35	35	P56207	56207	P207	167	48	18	47.6	93	126	14	19	M12	1/2	1.72
	35	35	P76207.2RSR	76207.2RSR	P207	167	48	18	47.6	93	126	14	19	M12	1/2	1.54

When replacing housings of earlier design the possibility of minor dimensional differences must be taken into account.

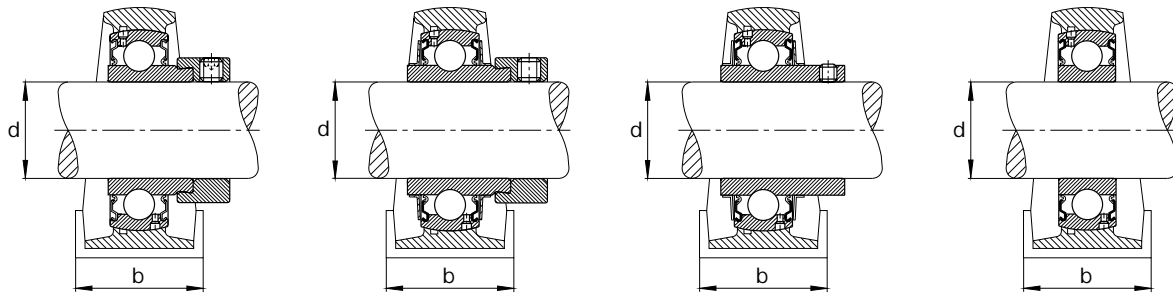
FAG S-TYPE BEARING UNITS

Series P162, P362, P562, P762..2RSR
Plummer block housings of grey-cast iron



Shaft	Code		Dimensions							Fastening bolt		Mass ≈ S-type bearing unit kg			
	mm in	mm FAG	Plummer block unit S-type bearing with locking device FAG	Housing FAG	a	b	c	h	h ₁	m	u		v	s	mm in
1 7/16	36.513	P16207.107	16207.107	P207	167	48	18	47.6	93	126	14	19	M12	1/2	1.73
	36.513	P36207.107	36207.107	P207	167	48	18	47.6	93	126	14	19	M12	1/2	1.87
	36.513	P56207.107	56207.107	P207	167	48	18	47.6	93	126	14	19	M12	1/2	1.7
1 1/2	38.1	P16208.108	16208.108	P208	184	54	18	49.2	98	136	14	19	M12	1/2	2.26
	38.1	P36208.108	36208.108	P208	184	54	18	49.2	98	136	14	19	M12	1/2	2.48
	38.1	P56208.108	56208.108	P208	184	54	18	49.2	98	136	14	19	M12	1/2	2.24
1 9/16	39.688	P16208.109	16208.109	P208	184	54	18	49.2	98	136	14	19	M12	1/2	2.23
	39.688	P36208.109	36208.109	P208	184	54	18	49.2	98	136	14	19	M12	1/2	2.45
	39.688	P56208.109	56208.109	P208	184	54	18	49.2	98	136	14	19	M12	1/2	2.21
40	40	P16208	16208	P208	184	54	18	49.2	98	136	14	19	M12	1/2	2.23
	40	P36208	36208	P208	184	54	18	49.2	98	136	14	19	M12	1/2	2.44
	40	P56208	56208	P208	184	54	18	49.2	98	136	14	19	M12	1/2	2.21
	40	P76208.2RSR	76208.2RSR	P208	184	54	18	49.2	98	136	14	19	M12	1/2	1.97
1 5/8	41.275	P16209.110	16209.110	P209	190	54	20	54	106	146	14	19	M12	1/2	2.59
	41.275	P36209.110	36209.110	P209	190	54	20	54	106	146	14	19	M12	1/2	2.82
	41.275	P56209.110	56209.110	P209	190	54	20	54	106	146	14	19	M12	1/2	2.69
1 11/16	42.863	P16209.111	16209.111	P209	190	54	20	54	106	146	14	19	M12	1/2	2.57
	42.863	P36209.111	36209.111	P209	190	54	20	54	106	146	14	19	M12	1/2	2.78
	42.863	P56209.111	56209.111	P209	190	54	20	54	106	146	14	19	M12	1/2	2.65
1 3/4	44.45	P16209.112	16209.112	P209	190	54	20	54	106	146	14	19	M12	1/2	2.54
	44.45	P36209.112	36209.112	P209	190	54	20	54	106	146	14	19	M12	1/2	2.74
	44.45	P56209.112	56209.112	P209	190	54	20	54	106	146	14	19	M12	1/2	2.62
45	45	P16209	16209	P209	190	54	20	54	106	146	14	19	M12	1/2	2.53
	45	P36209	36209	P209	190	54	20	54	106	146	14	19	M12	1/2	2.73
	45	P56209	56209	P209	190	54	20	54	106	146	14	19	M12	1/2	2.61
	45	P76209.2RSR	76209.2RSR	P209	190	54	20	54	106	146	14	19	M12	1/2	2.26
1 13/16	46.038	P16210.113	16210.113	P210	206	60	21	57.2	114	159	18	20.5	M16	5/8	3.24
	46.038	P36210.113	36210.113	P210	206	60	21	57.2	114	159	18	20.5	M16	5/8	3.53
	46.038	P56210.113	56210.113	P210	206	60	21	57.2	114	159	18	20.5	M16	5/8	3.31
1 7/8	47.625	P16210.114	16210.114	P210	206	60	21	57.2	114	159	18	20.5	M16	5/8	3.21
	47.625	P36210.114	36210.114	P210	206	60	21	57.2	114	159	18	20.5	M16	5/8	3.41
	47.625	P56210.114	56210.114	P210	206	60	21	57.2	114	159	18	20.5	M16	5/8	3.26

The **designs** in boldface are most readily available. Information on other designs will be supplied on request.



P162

P362

P562

P762...2RSR

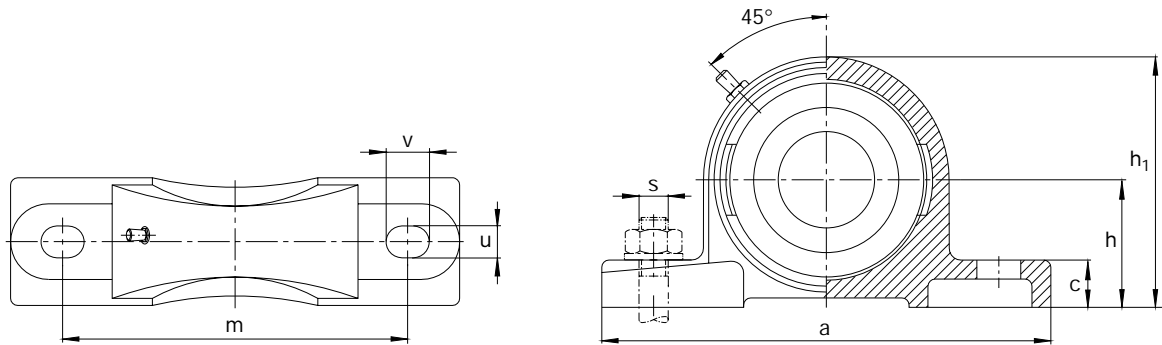
Shaft	Code				Dimensions								Fastening bolt		Mass ≈ S-type bearing unit kg			
	mm	in	mm	FAG	Plummer block unit	S-type bearing with locking device	Housing	a	b	c	h	h ₁	m	u		v	s	mm
1 15/16	49.213		49.213	P16210.115	16210.115	16210.115	P210	206	60	21	57.2	114	159	18	20.5	M16	5/8	3.19
	49.213		49.213	P36210.115	36210.115	36210.115	P210	206	60	21	57.2	114	159	18	20.5	M16	5/8	3.43
	49.213		49.213	P56210.115	56210.115	56210.115	P210	206	60	21	57.2	114	159	18	20.5	M16	5/8	3.21
50	50		50	P16210	16210	16210	P210	206	60	21	57.2	114	159	18	20.5	M16	5/8	3.17
	50		50	P36210	36210	36210	P210	206	60	21	57.2	114	159	18	20.5	M16	5/8	3.41
	50		50	P56210	56210	56210	P210	206	60	21	57.2	114	159	18	20.5	M16	5/8	3.17
	50		50	P76210.2RSR	76210.2RSR	76210.2RSR	P210	206	60	21	57.2	114	159	18	20.5	M16	5/8	2.86
2	50.8		50.8	P16211.200	16211.200	16211.200	P211	219	60	23	63.5	126	171	18	20.5	M16	5/8	4.01
	50.8		50.8	P36211.200	36211.200	36211.200	P211	219	60	23	63.5	126	171	18	20.5	M16	5/8	4.61
	50.8		50.8	P56211.200	56211.200	56211.200	P211	219	60	23	63.5	126	171	18	20.5	M16	5/8	4.31
2 1/8	53.975		53.975	P16211.202	16211.202	16211.202	P211	219	60	23	63.5	126	171	18	20.5	M16	5/8	3.92
	53.975		53.975	P36211.202	36211.202	36211.202	P211	219	60	23	63.5	126	171	18	20.5	M16	5/8	4.5
	53.975		53.975	P56211.202	56211.202	56211.202	P211	219	60	23	63.5	126	171	18	20.5	M16	5/8	4.26
55	55		55	P16211	16211	16211	P211	219	60	23	63.5	126	171	18	20.5	M16	5/8	3.88
	55		55	P36211	36211	36211	P211	219	60	23	63.5	126	171	18	20.5	M16	5/8	4.48
	55		55	P56211	56211	56211	P211	219	60	23	63.5	126	171	18	20.5	M16	5/8	4.24
	55		55	P76211.2RSR	76211.2RSR	76211.2RSR	P211	219	60	23	63.5	126	171	18	20.5	M16	5/8	3.72
2 3/16	55.563		55.563	P16211.203	16211.203	16211.203	P211	219	60	23	63.5	126	171	18	20.5	M16	5/8	3.86
	55.563		55.563	P36211.203	36211.203	36211.203	P211	219	60	23	63.5	126	171	18	20.5	M16	5/8	4
	55.563		55.563	P56211.203	56211.203	56211.203	P211	219	60	23	63.5	126	171	18	20.5	M16	5/8	4.19
2 1/4	57.15		57.15	P16212.204	16212.204	16212.204	P212	241	70	25	69.9	138	184	18	22	M16	5/8	4.9
	57.15		57.15	P36212.204	36212.204	36212.204	P212	241	70	25	69.9	138	184	18	22	M16	5/8	5.6
	57.15		57.15	P56212.204	56212.204	56212.204	P212	241	70	25	69.9	138	184	18	22	M16	5/8	5.19
60	60		60	P16212	16212	16212	P212	241	70	25	69.9	138	184	18	22	M16	5/8	4.77
	60		60	P36212	36212	36212	P212	241	70	25	69.9	138	184	18	22	M16	5/8	5.5
	60		60	P56212	56212	56212	P212	241	70	25	69.9	138	184	18	22	M16	5/8	5.12
	60		60	P76212.2RSR	76212.2RSR	76212.2RSR	P212	241	70	25	69.9	138	184	18	22	M16	5/8	4.2
2 3/8	60.325		60.325	P16212.206	16212.206	16212.206	P212	241	70	25	69.9	138	184	18	22	M16	5/8	4.76
	60.325		60.325	P36212.206	36212.206	36212.206	P212	241	70	25	69.9	138	184	18	22	M16	5/8	5.4
	60.325		60.325	P56212.206	56212.206	56212.206	P212	241	70	25	69.9	138	184	18	22	M16	5/8	4.99
2 7/16	61.913		61.913	P16212.207	16212.207	16212.207	P212	241	70	25	69.9	138	184	18	22	M16	5/8	4.68
	61.913		61.913	P36212.207	36212.207	36212.207	P212	241	70	25	69.9	138	184	18	22	M16	5/8	5.35
	61.913		61.913	P56212.207	56212.207	56212.207	P212	241	70	25	69.9	138	184	18	22	M16	5/8	4.91

When replacing housings of earlier design the possibility of minor dimensional differences must be taken into account.

FAG S-TYPE BEARING UNITS

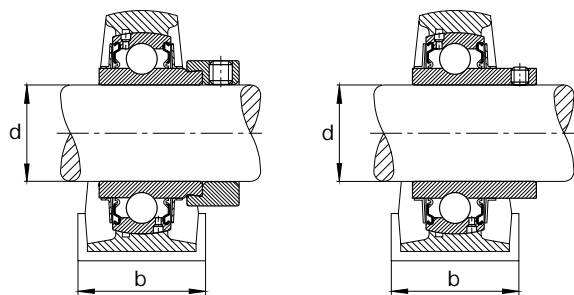
Series P362, P562

Plummer block housings of grey-cast iron



Shaft	Code		Dimensions										Fastening bolt		Mass ≈ S-type bearing unit kg	
	mm in	mm FAG	Plummer block unit FAG	S-type bearing with locking device FAG	Housing FAG	a	b	c	h	h ₁	m	u	v	s		mm in
2 1/2	63.5	P36213.208		36213.208	P213	265	70	27	76.2	151	203	25	28	M20	3/4	7.5
	63.5	P56213.208		56213.208	P213	265	70	27	76.2	151	203	25	28	M20	3/4	6.4
65	65	P36213		36213	P213	265	70	27	76.2	151	203	25	28	M20	3/4	7.4
	65	P56213		56213	P213	265	70	27	76.2	151	203	25	28	M20	3/4	6.3
2 9/16	65.087	P36213.209		36213.209	P213	265	70	27	76.2	151	203	25	28	M20	3/4	7.4
	65.087	P56213.209		56213.209	P213	265	70	27	76.2	151	203	25	28	M20	3/4	6.3
2 5/8	66.675	P36214.210		36214.210	P214	266	72	27	79.4	157	210	25	28	M20	3/4	7.4
	66.675	P56214.210		56214.210	P214	266	72	27	79.4	157	210	25	28	M20	3/4	7
2 11/16	68.262	P36214.211		36214.211	P214	266	72	27	79.4	157	210	25	28	M20	3/4	7.4
	68.262	P56214.211		56214.211	P214	266	72	27	79.4	157	210	25	28	M20	3/4	6.9
2 3/4	69.85	P36214.212		36214.212	P214	266	72	27	79.4	157	210	25	28	M20	3/4	7.3
	69.85	P56214.212		56214.212	P214	266	72	27	79.4	157	210	25	28	M20	3/4	6.9
70	70	P36214		36214	P214	266	72	27	79.4	157	210	25	28	M20	3/4	7.3
	70	P56214		56214	P214	266	72	27	79.4	157	210	25	28	M20	3/4	6.8
2 13/16	71.437	P36215.213		36215.213	P215	275	74	28	82.6	163	217	25	28	M20	3/4	8.4
	71.437	P56215.213		56215.213	P215	275	74	28	82.6	163	217	25	28	M20	3/4	7.9
2 7/8	73.025	P36215.214		36215.214	P215	275	74	28	82.6	163	217	25	28	M20	3/4	8.3
	73.025	P56215.214		56215.214	P215	275	74	28	82.6	163	217	25	28	M20	3/4	7.8
2 15/16	74.612	P36215.215		36215.215	P215	275	74	28	82.6	163	217	25	28	M20	3/4	8.2
	74.612	P56215.215		56215.215	P215	275	74	28	82.6	163	217	25	28	M20	3/4	7.7
75	75	P36215		36215	P215	275	74	28	82.6	163	217	25	28	M20	3/4	8.2
	75	P56215		56215	P215	275	74	28	82.6	163	217	25	28	M20	3/4	7.7
3	76.2	P36215.300		36215.300	P215	275	74	28	82.6	163	217	25	28	M20	3/4	8
	76.2	P56215.300		56215.300	P215	275	74	28	82.6	163	217	25	28	M20	3/4	7.6
3 1/8	79.375	P36216.302		36216.302	P216	292	78	30	88.9	175	232	25	28	M20	3/4	9.1
	79.375	P56216.302		56216.302	P216	292	78	30	88.9	175	232	25	28	M20	3/4	9
80	80	P36216		36216	P216	292	78	30	88.9	175	232	25	28	M20	3/4	9.2
	80	P56216		56216	P216	292	78	30	88.9	175	232	25	28	M20	3/4	9.1

The **designs** in boldface are most readily available. Information on other designs will be supplied on request.



P362

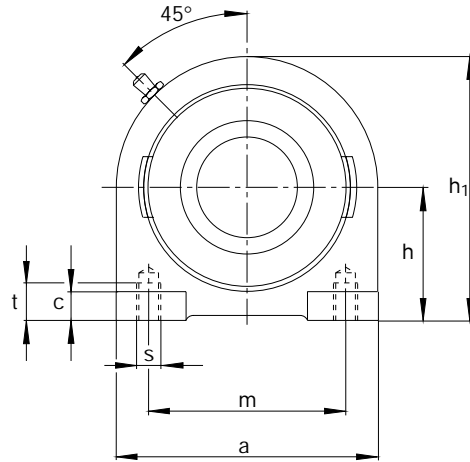
P562

Shaft	Code		Dimensions										Fastening bolt		Mass ≈ S-type bearing unit kg	
	mm	in	Plummer block unit FAG	S-type bearing with locking device FAG	Housing FAG	a	b	c	h	h ₁	m	u	v	s		mm
3 1/4	82.55		P36217.304	36217.304	P217	310	83	32	95.2	187	247	25	28	M20	3/4	12
	82.55		P56217.304	56217.304	P217	310	83	32	95.2	187	247	25	28	M20	3/4	11.6
85	85		P36217	36217	P217	310	83	32	95.2	187	247	25	28	M20	3/4	11.8
	85		P56217	56217	P217	310	83	32	95.2	187	247	25	28	M20	3/4	11.5
3 1/2	88.9		P36218.308	36218.308	P218	327	88	33	101.6	200	262	27	34	M24	1	13.8
	88.9		P56218.308	56218.308	P218	327	88	33	101.6	200	262	27	34	M24	1	13.7
90	90		P36218	36218	P218	327	88	33	101.6	200	262	27	34	M24	1	13.7
	90		P56218	56218	P218	327	88	33	101.6	200	262	27	34	M24	1	13.5

When replacing housings of earlier design the possibility of minor dimensional differences must be taken into account.

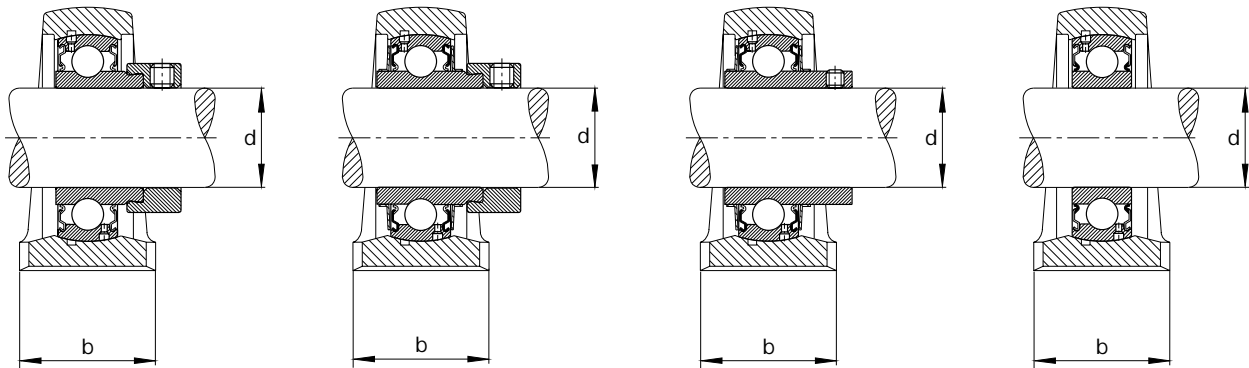
FAG S-TYPE BEARING UNITS

Series PA162, PA362, PA562, PA762..2RSR
Plummer block housings of grey-cast iron



Shaft	Code				Dimensions								Fastening bolt	Mass ≈ S-type bearing unit kg
	mm in	mm	Plummer block unit FAG	S-type bearing with locking device FAG	Housing FAG	a	b	c	h	h ₁	m	t		
³ / ₄	19.05	19.05	PA16204.012	16204.012	PA204	76	38	8	33.3	62	52	13	M10	0.704
	19.05	19.05	PA36204.012	36204.012	PA204	76	38	8	33.3	62	52	13	M10	0.758
	19.05	19.05	PA56204.012	56204.012	PA204	76	38	8	33.3	62	52	13	M10	0.712
20	20	20	PA16204	16204	PA204	76	38	8	33.3	62	52	13	M10	0.7
	20	20	PA36204	36204	PA204	76	38	8	33.3	62	52	13	M10	0.75
	20	20	PA56204	56204	PA204	76	38	8	33.3	62	52	13	M10	0.69
	20	20	PA76204.2RSR	76204.2RSR	PA204	76	38	8	33.3	62	52	13	M10	0.66
¹³ / ₁₆	20.638	20.638	PA16205.013	16205.013	PA205	84	38	10	36.5	72	56	15	M10	1.05
	20.638	20.638	PA36205.013	36205.013	PA205	84	38	10	36.5	72	56	15	M10	1.11
	20.638	20.638	PA56205.013	56205.013	PA205	84	38	10	36.5	72	56	15	M10	1.04
⁷ / ₈	22.225	22.225	PA16205.014	16205.014	PA205	84	38	10	36.5	72	56	15	M10	1.04
	22.225	22.225	PA36205.014	36205.014	PA205	84	38	10	36.5	72	56	15	M10	1.01
	22.225	22.225	PA56205.014	56205.014	PA205	84	38	10	36.5	72	56	15	M10	1.02
¹⁵ / ₁₆	23.813	23.813	PA16205.015	16205.015	PA205	84	38	10	36.5	72	56	15	M10	1.03
	23.813	23.813	PA36205.015	36205.015	PA205	84	38	10	36.5	72	56	15	M10	1.08
	23.813	23.813	PA56205.015	56205.015	PA205	84	38	10	36.5	72	56	15	M10	1
25	25	25	PA16205	16205	PA205	84	38	10	36.5	72	56	15	M10	1.02
	25	25	PA36205	36205	PA205	84	38	10	36.5	72	56	15	M10	1.01
	25	25	PA56205	56205	PA205	84	38	10	36.5	72	56	15	M10	1
	25	25	PA76205.2RSR	76205.2RSR	PA205	84	38	10	36.5	72	56	15	M10	0.93
1	25.4	25.4	PA16205.100	16205.100	PA205	84	38	10	36.5	72	56	15	M10	1.02
	25.4	25.4	PA36205.100	36205.100	PA205	84	38	10	36.5	72	56	15	M10	1.07
	25.4	25.4	PA56205.100	56205.100	PA205	84	38	10	36.5	72	56	15	M10	0.99
1 ¹ / ₁₆	26.988	26.988	PA16206.101	16206.101	PA206	94	48	10	42.9	84	66	18	M14	1.43
	26.988	26.988	PA36206.101	36206.101	PA206	94	48	10	42.9	84	66	18	M14	1.56
	26.988	26.988	PA56206.101	56206.101	PA206	94	48	10	42.9	84	66	18	M14	1.45
1 ¹ / ₈	28.575	28.575	PA16206.102	16206.102	PA206	94	48	10	42.9	84	66	18	M14	1.41
	28.575	28.575	PA36206.102	36206.102	PA206	94	48	10	42.9	84	66	18	M14	1.54
	28.575	28.575	PA56206.102	56206.102	PA206	94	48	10	42.9	84	66	18	M14	1.43
30	30	30	PA16206	16206	PA206	94	48	10	42.9	84	66	18	M14	1.4
	30	30	PA36206	36206	PA206	94	48	10	42.9	84	66	18	M14	1.52
	30	30	PA56206	56206	PA206	94	48	10	42.9	84	66	18	M14	1.41
	30	30	PA76206.2RSR	76206.2RSR	PA206	94	48	10	42.9	84	66	18	M14	1.29

The **designs** in boldface are most readily available. Information on other designs will be supplied on request.



PA162

PA362

PA562

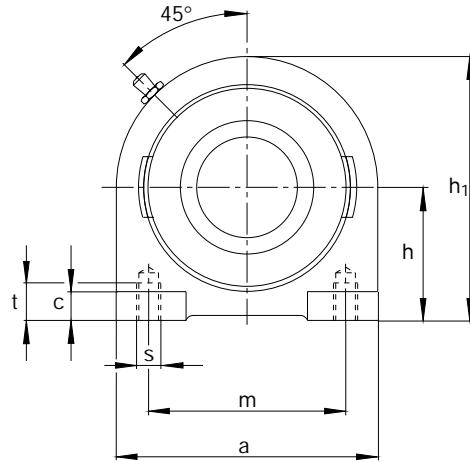
PA762...2RSR

Shaft	Code				Dimensions							Fastening bolt	Mass ≈ S-type bearing unit kg	
	mm in	mm	Plummer block unit FAG	S-type bearing with locking device FAG	Housing FAG	a	b	c	h	h ₁	m			t
1 ³ / ₁₆	30.163	30.163	PA16206.103	16206.103	PA206	94	48	10	42.9	84	66	18	M14	1.4
	30.163	30.163	PA36206.103	36206.103	PA206	94	48	10	42.9	84	66	18	M14	1.52
	30.163	30.163	PA56206.103	56206.103	PA206	94	48	10	42.9	84	66	18	M14	1.41
1 ¹ / ₄	31.75	31.75	PA16206.104	16206.104	PA206	94	48	10	42.9	84	66	18	M14	1.38
	31.75	31.75	PA36206.104	36206.104	PA206	94	48	10	42.9	84	66	18	M14	1.5
	31.75	31.75	PA56206.104	56206.104	PA206	94	48	10	42.9	84	66	18	M14	1.38
1 ⁵ / ₁₆	31.75	31.75	PA16207.104	16207.104	PA207	110	48	12	47.6	95	80	20	M14	1.96
	31.75	31.75	PA36207.104	36207.104	PA207	110	48	12	47.6	95	80	20	M14	2.12
	31.75	31.75	PA56207.104	56207.104	PA207	110	48	12	47.6	95	80	20	M14	1.97
1 ⁵ / ₁₆	33.338	33.338	PA16207.105	16207.105	PA207	110	48	12	47.6	95	80	20	M14	1.95
	33.338	33.338	PA36207.105	36207.105	PA207	110	48	12	47.6	95	80	20	M14	2.1
	33.338	33.338	PA56207.105	56207.105	PA207	110	48	12	47.6	95	80	20	M14	1.94
1 ³ / ₈	34.925	34.925	PA16207.106	16207.106	PA207	110	48	12	47.6	95	80	20	M14	1.93
	34.925	34.925	PA36207.106	36207.106	PA207	110	48	12	47.6	95	80	20	M14	2.07
	34.925	34.925	PA56207.106	56207.106	PA207	110	48	12	47.6	95	80	20	M14	1.91
35	35	35	PA16207	16207	PA207	110	48	12	47.6	95	80	20	M14	1.93
	35	35	PA36207	36207	PA207	110	48	12	47.6	95	80	20	M14	2.07
	35	35	PA56207	56207	PA207	110	48	12	47.6	95	80	20	M14	1.9
	35	35	PA76207.2RSR	76207.2RSR	PA207	110	48	12	47.6	95	80	20	M14	1.72
1 ⁷ / ₁₆	36.513	36.513	PA16207.107	16207.107	PA207	110	48	12	47.6	95	80	20	M14	1.91
	36.513	36.513	PA36207.107	36207.107	PA207	110	48	12	47.6	95	80	20	M14	2.05
	36.513	36.513	PA56207.107	56207.107	PA207	110	48	12	47.6	95	80	20	M14	1.88
1 ¹ / ₂	38.1	38.1	PA16208.108	16208.108	PA208	116	54	12	49.2	100	84	20	M14	2.41
	38.1	38.1	PA36208.108	36208.108	PA208	116	54	12	49.2	100	84	20	M14	2.63
	38.1	38.1	PA56208.108	56208.108	PA208	116	54	12	49.2	100	84	20	M14	2.39
1 ⁹ / ₁₆	39.688	39.688	PA16208.109	16208.109	PA208	116	54	12	49.2	100	84	20	M14	2.34
	39.688	39.688	PA36208.109	36208.109	PA208	116	54	12	49.2	100	84	20	M14	2.56
	39.688	39.688	PA56208.109	56208.109	PA208	116	54	12	49.2	100	84	20	M14	2.36
40	40	40	PA16208	16208	PA208	116	54	12	49.2	100	84	20	M14	2.38
	40	40	PA36208	36208	PA208	116	54	12	49.2	100	84	20	M14	2.59
	40	40	PA56208	56208	PA208	116	54	12	49.2	100	84	20	M14	2.36
	40	40	PA76208.2RSR	76208.2RSR	PA208	116	54	12	49.2	100	84	20	M14	2.12

When replacing housings of earlier design the possibility of minor dimensional differences must be taken into account.

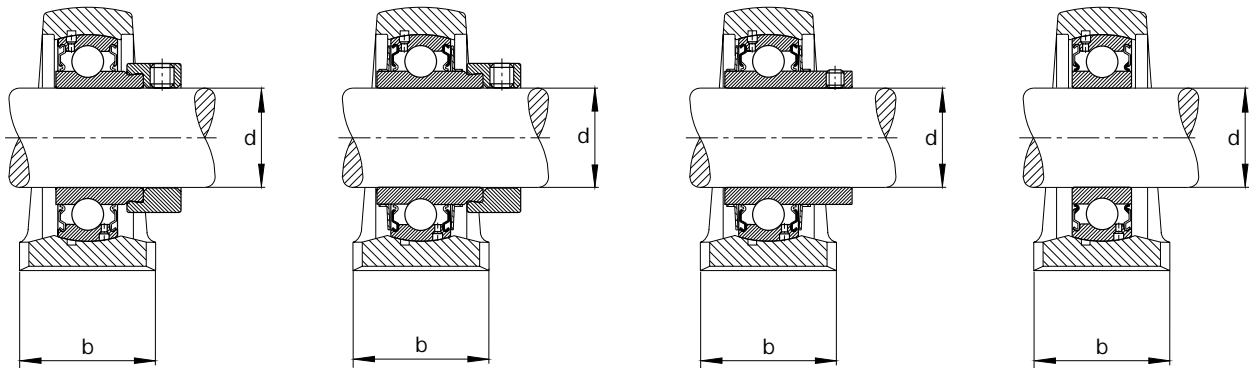
FAG S-TYPE BEARING UNITS

Series PA162, PA362, PA562, PA762..2RSR
Plummer block housings of grey-cast iron



Shaft	Code			Dimensions								Fastening bolt	Mass ≈ S-type bearing unit kg	
	mm in	mm	FAG	S-type bearing with locking device FAG	Housing FAG	a	b	c	h	h ₁	m			t
1 5/8	41.275	41.275	PA16209.110	16209.110	PA209	120	54	12	54	108	90	25	M14	2.54
	41.275	41.275	PA36209.110	36209.110	PA209	120	54	12	54	108	90	25	M14	2.76
	41.275	41.275	PA56209.110	56209.110	PA209	120	54	12	54	108	90	25	M14	2.64
1 11/16	42.863	42.863	PA16209.111	16209.111	PA209	120	54	12	54	108	90	25	M14	2.52
	42.863	42.863	PA36209.111	36209.111	PA209	120	54	12	54	108	90	25	M14	2.73
	42.863	42.863	PA56209.111	56209.111	PA209	120	54	12	54	108	90	25	M14	2.6
1 3/4	44.45	44.45	PA16209.112	16209.112	PA209	120	54	12	54	108	90	25	M14	2.49
	44.45	44.45	PA36209.112	36209.112	PA209	120	54	12	54	108	90	25	M14	2.69
	44.45	44.45	PA56209.112	56209.112	PA209	120	54	12	54	108	90	25	M14	2.57
45	45	45	PA16209	16209	PA209	120	54	12	54	108	90	25	M14	2.48
	45	45	PA36209	36209	PA209	120	54	12	54	108	90	25	M14	2.68
	45	45	PA56209	56209	PA209	120	54	12	54	108	90	25	M14	2.56
	45	45	PA76209.2RSR	76209.2RSR	PA209	120	54	12	54	108	90	25	M14	2.21
1 13/16	46.038	46.038	PA16210.113	16210.113	PA210	130	60	14	57.2	116	94	25	M16	3.24
	46.038	46.038	PA36210.113	36210.113	PA210	130	60	14	57.2	116	94	25	M16	3.53
	46.038	46.038	PA56210.113	56210.113	PA210	130	60	14	57.2	116	94	25	M16	3.31
1 7/8	47.625	47.625	PA16210.114	16210.114	PA210	130	60	14	57.2	116	94	25	M16	3.21
	47.625	47.625	PA36210.114	36210.114	PA210	130	60	14	57.2	116	94	25	M16	3.48
	47.625	47.625	PA56210.114	56210.114	PA210	130	60	14	57.2	116	94	25	M16	3.26
1 15/16	49.213	49.213	PA16210.115	16210.115	PA210	130	60	14	57.2	116	94	25	M16	3.18
	49.213	49.213	PA36210.115	36210.115	PA210	130	60	14	57.2	116	94	25	M16	3.43
	49.213	49.213	PA56210.115	56210.115	PA210	130	60	14	57.2	116	94	25	M16	3.21
50	50	50	PA16210	16210	PA210	130	60	14	57.2	116	94	25	M16	3.17
	50	50	PA36210	36210	PA210	130	60	14	57.2	116	94	25	M16	3.41
	50	50	PA56210	56210	PA210	130	60	14	57.2	116	94	25	M16	3.17
	50	50	PA76210.2RSR	76210.2RSR	PA210	130	60	14	57.2	116	94	25	M16	2.86
2	50.8	50.8	PA16211.200	16211.200	PA211	140	66	14	63.5	125	104	25	M16	3.76
	50.8	50.8	PA36211.200	36211.200	PA211	140	66	14	63.5	125	104	25	M16	4.3
	50.8	50.8	PA56211.200	56211.200	PA211	140	66	14	63.5	125	104	25	M16	4.06
2 1/8	53.975	53.975	PA16211.202	16211.202	PA211	140	66	14	63.5	125	104	25	M16	3.76
	53.975	53.975	PA36211.202	36211.202	PA211	140	66	14	63.5	125	104	25	M16	4.25
	53.975	53.975	PA56211.202	56211.202	PA211	140	66	14	63.5	125	104	25	M16	4.01

The **designs** in boldface are most readily available. Information on other designs will be supplied on request.



PA162

PA362

PA562

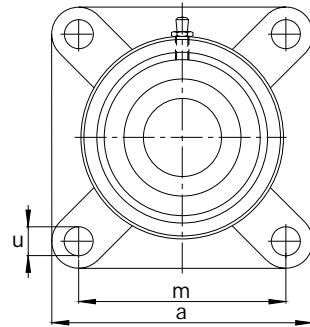
PA762...2RSR

Shaft	Code				Dimensions							Fastening bolt	Mass ≈ S-type bearing unit kg	
	mm	mm	FAG	S-type bearing with locking device FAG	Housing FAG	a	b	c	h	h ₁	m			t
in	mm	FAG	FAG	FAG	mm	mm	mm	mm	mm	mm	mm	mm	mm	mm
55	55	PA16211	16211	PA211	140	66	14	63.5	125	104	25	M16	3.63	
	55	PA36211	36211	PA211	140	66	14	63.5	125	104	25	M16	4.23	
	55	PA56211	56211	PA211	140	66	14	63.5	125	104	25	M16	3.99	
	55	PA76211.2RSR	76211.2RSR	PA211	140	66	14	63.5	125	104	25	M16	3.47	
2 ³ / ₁₆	55.563	PA16211.203	16211.203	PA211	140	66	14	63.5	125	104	25	M16	3.61	
	55.563	PA36211.203	36211.203	PA211	140	66	14	63.5	125	104	25	M16	3.75	
	55.563	PA56211.203	56211.203	PA211	140	66	14	63.5	125	104	25	M16	3.96	
2 ¹ / ₄	57.15	PA16212.204	16212.204	PA212	150	68	15	69.9	138	114	25	M16	4.9	
	57.15	PA36212.204	36212.204	PA212	150	68	15	69.9	138	114	25	M16	5.6	
	57.15	PA56212.204	56212.204	PA212	150	68	15	69.9	138	114	25	M16	5.19	
60	60	PA16212	16212	PA212	150	68	15	69.9	138	114	25	M16	4.7	
	60	PA36212	36212	PA212	150	68	15	69.9	138	114	25	M16	5.5	
	60	PA56212	56212	PA212	150	68	15	69.9	138	114	25	M16	5.12	
	60	PA76212.2RSR	76212.2RSR	PA212	150	68	15	69.9	138	114	25	M16	4.2	
2 ³ / ₈	60.325	PA16212.206	16212.206	PA212	150	68	15	69.9	138	114	25	M16	4.76	
	60.325	PA36212.206	36212.206	PA212	150	68	15	69.9	138	114	25	M16	5.4	
	60.325	PA56212.206	56212.206	PA212	150	68	15	69.9	138	114	25	M16	4.99	
2 ⁷ / ₁₆	61.913	PA16212.207	16212.207	PA212	150	68	15	69.9	138	114	25	M16	4.68	
	61.913	PA36212.207	36212.207	PA212	150	68	15	69.9	138	114	25	M16	5.38	
	61.913	PA56212.207	56212.207	PA212	150	68	15	69.9	138	114	25	M16	4.91	

When replacing housings of earlier design the possibility of minor dimensional differences must be taken into account.

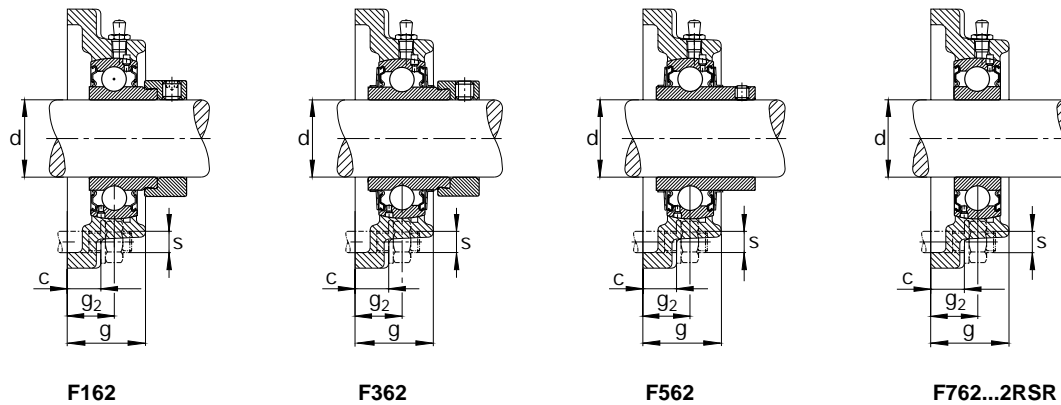
FAG S-TYPE BEARING UNITS

Series F162, F362, F562, F762..2RSR
Flanged housings of grey-cast iron



Shaft	Code		Dimensions								Fastening bolt		Mass ≈ S-type bearing unit kg		
	mm in	mm FAG	Flanged bearing unit S-type bearing with locking device FAG	Housing FAG	a	c	g	g ₂	m	u min	max	s mm		in	
12	12	F16203/12	16203/12	F203	76	12	27	17	54	11	12.5	M10	3/8	0.73	
	1/2	12.7	F16203.008	16203.008	F203	76	12	27	17	54	11	12.5	M10	3/8	0.728
	9/16	14.288	F16203.009	16203.009	F203	76	12	27	17	54	11	12.5	M10	3/8	0.723
15	15	F16203/15	16203/15	F203	76	12	27	17	54	11	12.5	M10	3/8	0.72	
	5/8	15.875	F16203.010	16203.010	F203	76	12	27	17	54	11	12.5	M10	3/8	0.717
17	17	F16203	16203	F203	76	12	27	17	54	11	12.5	M10	3/8	0.7	
	17	F76203.2RSR	76203.2RSR	F203	76	12	27	17	54	11	12.5	M10	3/8	0.664	
	11/16	17.463	F16203.011	16203.011	F203	76	12	27	17	54	11	12.5	M10	3/8	0.691
	3/4	19.05	F16204.012	16204.012	F204	86	13	29.5	19	63.5	11	12.5	M10	3/8	0.754
20	19.05	F36204.012	36204.012	F204	86	13	29.5	19	63.5	11	12.5	M10	3/8	0.808	
	19.05	F56204.012	56204.012	F204	86	13	29.5	19	63.5	11	12.5	M10	3/8	0.762	
	20	F16204	16204	F204	86	13	29.5	19	63.5	11	12.5	M10	3/8	0.75	
	20	F36204	36204	F204	86	13	29.5	19	63.5	11	12.5	M10	3/8	0.8	
	20	F56204	56204	F204	86	13	29.5	19	63.5	11	12.5	M10	3/8	0.74	
	20	F76204.2RSR	76204.2RSR	F204	86	13	29.5	19	63.5	11	12.5	M10	3/8	0.706	
	13/16	20.638	F16205.013	16205.013	F205	93	13	30	19	70	11.5	12.5	M10	7/16	1.05
	20.638	F36205.013	36205.013	F205	93	13	30	19	70	11.5	12.5	M10	7/16	1.11	
	20.638	F56205.013	56205.013	F205	93	13	30	19	70	11.5	12.5	M10	7/16	1.04	
	7/8	22.225	F16205.014	16205.014	F205	93	13	30	19	70	11.5	12.5	M10	7/16	1.04
15/16	22.225	F36205.014	36205.014	F205	93	13	30	19	70	11.5	12.5	M10	7/16	1.1	
	22.225	F56205.014	56205.014	F205	93	13	30	19	70	11.5	12.5	M10	7/16	1.02	
	23.813	F16205.015	16205.015	F205	93	13	30	19	70	11.5	12.5	M10	7/16	1.03	
25	23.813	F36205.015	36205.015	F205	93	13	30	19	70	11.5	12.5	M10	7/16	1.08	
	23.813	F56205.015	56205.015	F205	93	13	30	19	70	11.5	12.5	M10	7/16	1.01	
	25	F16205	16205	F205	93	13	30	19	70	11.5	12.5	M10	7/16	1.02	
	25	F36205	36205	F205	93	13	30	19	70	11.5	12.5	M10	7/16	1.07	
	25	F56205	56205	F205	93	13	30	19	70	11.5	12.5	M10	7/16	0.99	
25	F76205.2RSR	76205.2RSR	F205	93	13	30	19	70	11.5	12.5	M10	7/16	0.928		

The **designs** in boldface are most readily available. Information on other designs will be supplied on request.

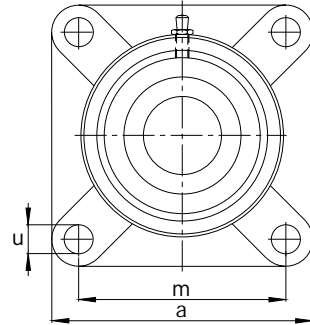


Shaft	Code			Dimensions								Fastening bolt		Mass ≈ S-type bearing unit kg		
	mm	in	FAG	Flanged bearing unit	S-type bearing with locking device	Housing	a	c	g	g ₂	m	u	min		max	s
1	25.4		F16205.100	16205.100	F205	93	13	30	19	70	11.5	12.5	M10	7/16	1.02	
	25.4		F36205.100	36205.100	F205	93	13	30	19	70	11.5	12.5	M10	7/16	1.07	
	25.4		F56205.100	56205.100	F205	93	13	30	19	70	11.5	12.5	M10	7/16	0.988	
1 1/16	26.988		F16206.101	16206.101	F206	106	14	32.5	20	82.5	11.5	12.5	M10	7/16	1.33	
	26.988		F36206.101	36206.101	F206	106	14	32.5	20	82.5	11.5	12.5	M10	7/16	1.46	
	26.988		F56206.101	56206.101	F206	106	14	32.5	20	82.5	11.5	12.5	M10	7/16	1.35	
1 1/8	28.575		F16206.102	16206.102	F206	106	14	32.5	20	82.5	11.5	12.5	M10	7/16	1.31	
	28.575		F36206.102	36206.102	F206	106	14	32.5	20	82.5	11.5	12.5	M10	7/16	1.44	
	28.575		F56206.102	56206.102	F206	106	14	32.5	20	82.5	11.5	12.5	M10	7/16	1.33	
30	30		F16206	16206	F206	106	14	32.5	20	82.5	11.5	12.5	M10	7/16	1.3	
	30		F36206	36206	F206	106	14	32.5	20	82.5	11.5	12.5	M10	7/16	1.42	
	30		F56206	56206	F206	106	14	32.5	20	82.5	11.5	12.5	M10	7/16	1.31	
	30		F76206.2RSR	76206.2RSR	F206	106	14	32.5	20	82.5	11.5	12.5	M10	7/16	1.19	
1 3/16	30.163		F16206.103	16206.103	F206	106	14	32.5	20	82.5	11.5	12.5	M10	7/16	1.3	
	30.163		F36206.103	36206.103	F206	106	14	32.5	20	82.5	11.5	12.5	M10	7/16	1.42	
	30.163		F56206.103	56206.103	F206	106	14	32.5	20	82.5	11.5	12.5	M10	7/16	1.31	
1 1/4	31.75		F16206.104	16206.104	F206	106	14	32.5	20	82.5	11.5	12.5	M10	7/16	1.28	
	31.75		F36206.104	36206.104	F206	106	14	32.5	20	82.5	11.5	12.5	M10	7/16	1.4	
	31.75		F56206.104	56206.104	F206	106	14	32.5	20	82.5	11.5	12.5	M10	7/16	1.28	
1 1/2	31.75		F16207.104	16207.104	F207	116	15	35	21	92	13	15	M12	1/2	1.83	
	31.75		F36207.104	36207.104	F207	116	15	35	21	92	13	15	M12	1/2	1.99	
	31.75		F56207.104	56207.104	F207	116	15	35	21	92	13	15	M12	1/2	1.84	
	31.75		F16207.105	16207.105	F207	116	15	35	21	92	13	15	M12	1/2	1.82	
1 5/16	33.338		F16207.105	16207.105	F207	116	15	35	21	92	13	15	M12	1/2	1.82	
	33.338		F36207.105	36207.105	F207	116	15	35	21	92	13	15	M12	1/2	1.97	
	33.338		F56207.105	56207.105	F207	116	15	35	21	92	13	15	M12	1/2	1.81	
1 3/8	34.925		F16207.106	16207.106	F207	116	15	35	21	92	13	15	M12	1/2	1.8	
	34.925		F36207.106	36207.106	F207	116	15	35	21	92	13	15	M12	1/2	1.94	
	34.925		F56207.106	56207.106	F207	116	15	35	21	92	13	15	M12	1/2	1.78	
35	35		F16207	16207	F207	116	15	35	21	92	13	15	M12	1/2	1.8	
	35		F36207	36207	F207	116	15	35	21	92	13	15	M12	1/2	1.94	
	35		F56207	56207	F207	116	15	35	21	92	13	15	M12	1/2	1.77	
	35		F76207.2RSR	76207.2RSR	F207	116	15	35	21	92	13	15	M12	1/2	1.59	

When replacing housings of earlier design the possibility of minor dimensional differences must be taken into account.

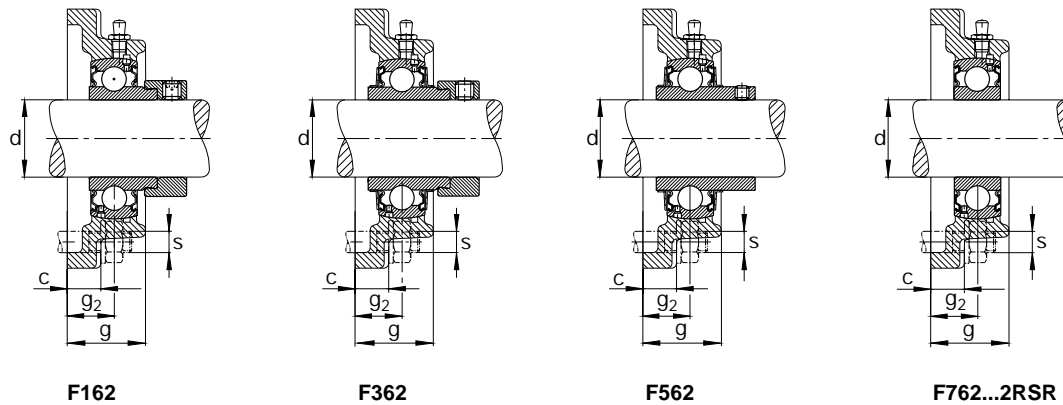
FAG S-TYPE BEARING UNITS

Series F162, F362, F562, F762..2RSR
Flanged housings of grey-cast iron



Shaft	Code			Dimensions								Fastening bolt		Mass ≈ S-type bearing unit kg
	mm in	mm	Flanged bearing unit FAG	S-type bearing with locking device FAG	Housing FAG	a	c	g	g ₂	m	u min	max	s mm	
1 7/16	36.513	F16207.107	16207.107	F207	116	15	35	21	92	13	15	M12	1/2	1.78
	36.513	F36207.107	36207.107	F207	116	15	35	21	92	13	15	M12	1/2	1.92
	36.513	F56207.107	56207.107	F207	116	15	35	21	92	13	15	M12	1/2	1.75
1 1/2	38.1	F16208.108	16208.108	F208	129	15	39	24	101.5	13	15	M12	1/2	2.31
	38.1	F36208.108	36208.108	F208	129	15	39	24	101.5	13	15	M12	1/2	2.53
	38.1	F56208.108	56208.108	F208	129	15	39	24	101.5	13	15	M12	1/2	2.29
1 9/16	39.688	F16208.109	16208.109	F208	129	15	39	24	101.5	13	15	M12	1/2	2.28
	39.688	F36208.109	36208.109	F208	129	15	39	24	101.5	13	15	M12	1/2	2.5
	39.688	F56208.109	56208.109	F208	129	15	39	24	101.5	13	15	M12	1/2	2.26
40	40	F16208	16208	F208	129	15	39	24	101.5	13	15	M12	1/2	2.28
	40	F36208	36208	F208	129	15	39	24	101.5	13	15	M12	1/2	2.49
	40	F56208	56208	F208	129	15	39	24	101.5	13	15	M12	1/2	2.26
	40	F76208.2RSR	76208.2RSR	F208	129	15	39	24	101.5	13	15	M12	1/2	2.02
1 5/8	41.275	F16209.110	16209.110	F209	135	16	40	24	105	15	17	M14	9/16	2.74
	41.275	F36209.110	36209.110	F209	135	16	40	24	105	15	17	M14	9/16	2.97
	41.275	F56209.110	56209.110	F209	135	16	40	24	105	15	17	M14	9/16	2.84
1 11/16	42.863	F16209.111	16209.111	F209	135	16	40	24	105	15	17	M14	9/16	2.72
	42.863	F36209.111	36209.111	F209	135	16	40	24	105	15	17	M14	9/16	2.93
	42.863	F56209.111	56209.111	F209	135	16	40	24	105	15	17	M14	9/16	2.8
1 3/4	44.45	F16209.112	16209.112	F209	135	16	40	24	105	15	17	M14	9/16	2.69
	44.45	F36209.112	36209.112	F209	135	16	40	24	105	15	17	M14	9/16	2.89
	44.45	F56209.112	56209.112	F209	135	16	40	24	105	15	17	M14	9/16	2.77
45	45	F16209	16209	F209	135	16	40	24	105	15	17	M14	9/16	2.68
	45	F36209	36209	F209	135	16	40	24	105	15	17	M14	9/16	2.88
	45	F56209	56209	F209	135	16	40	24	105	15	17	M14	9/16	2.76
	45	F76209.2RSR	76209.2RSR	F209	135	16	40	24	105	15	17	M14	9/16	2.41
1 13/16	46.038	F16210.113	16210.113	F210	143	17	45	28	111	17	19	M16	5/8	3.04
	46.038	F36210.113	36210.113	F210	143	17	45	28	111	17	19	M16	5/8	3.33
	46.038	F56210.113	56210.113	F210	143	17	45	28	111	17	19	M16	5/8	3.11
1 7/8	47.625	F16210.114	16210.114	F210	143	17	45	28	111	17	19	M16	5/8	3.01
	47.625	F36210.114	36210.114	F210	143	17	45	28	111	17	19	M16	5/8	3.28
	47.625	F56210.114	56210.114	F210	143	17	45	28	111	17	19	M16	5/8	3.06

The **designs** in boldface are most readily available. Information on other designs will be supplied on request.

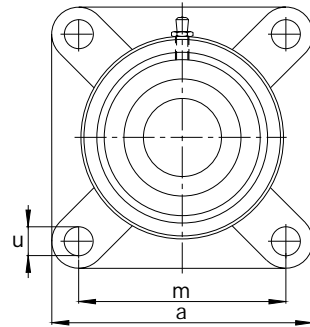


Shaft	Code			Dimensions							Fastening bolt		Mass ≈ S-type bearing unit kg		
	mm in	mm	FAG	Flanged bearing unit	S-type bearing with locking device	Housing	a	c	g	g ₂	m	u		s	
				FAG	FAG	FAG	mm				min	max	mm	in	
1 15/16	49.213	49.213	F16210.115	16210.115	F210	143	17	45	28	111	17	19	M16	5/8	2.99
	49.213	49.213	F36210.115	36210.115	F210	143	17	45	28	111	17	19	M16	5/8	3.23
	49.213	49.213	F56210.115	56210.115	F210	143	17	45	28	111	17	19	M16	5/8	3.01
50	50	50	F16210	16210	F210	143	17	45	28	111	17	19	M16	5/8	2.97
	50	50	F36210	36210	F210	143	17	45	28	111	17	19	M16	5/8	3.21
	50	50	F56210	56210	F210	143	17	45	28	111	17	19	M16	5/8	2.97
	50	50	F76210.2RSR	76210.2RSR	F210	143	17	45	28	111	17	19	M16	5/8	2.66
2	50.8	50.8	F16211.200	16211.200	F211	162	18	49	31	130	17	19	M16	5/8	3.91
	50.8	50.8	F36211.200	36211.200	F211	162	18	49	31	130	17	19	M16	5/8	4.45
	50.8	50.8	F56211.200	56211.200	F211	162	18	49	31	130	17	19	M16	5/8	4.21
2 1/8	53.975	53.975	F16211.202	16211.202	F211	162	18	49	31	130	17	19	M16	5/8	3.82
	53.975	53.975	F36211.202	36211.202	F211	162	18	49	31	130	17	19	M16	5/8	4.4
	53.975	53.975	F56211.202	56211.202	F211	162	18	49	31	130	17	19	M16	5/8	4.16
55	55	55	F16211	16211	F211	162	18	49	31	130	17	19	M16	5/8	3.78
	55	55	F36211	36211	F211	162	18	49	31	130	17	19	M16	5/8	4.38
	55	55	F56211	56211	F211	162	18	49	31	130	17	19	M16	5/8	4.14
	55	55	F76211.2RSR	76211.2RSR	F211	162	18	49	31	130	17	19	M16	5/8	3.62
2 3/16	55.563	55.563	F16211.203	16211.203	F211	162	18	49	31	130	17	19	M16	5/8	3.76
	55.563	55.563	F36211.203	36211.203	F211	162	18	49	31	130	17	19	M16	5/8	3.9
	55.563	55.563	F56211.203	56211.203	F211	162	18	49	31	130	17	19	M16	5/8	4.09
2 1/4	57.15	57.15	F16212.204	16212.204	F212	175	18	53.5	34	143	17	19	M16	5/8	4.55
	57.15	57.15	F36212.204	36212.204	F212	175	18	53.5	34	143	17	19	M16	5/8	5.25
	57.15	57.15	F56212.204	56212.204	F212	175	18	53.5	34	143	17	19	M16	5/8	4.84
60	60	60	F16212	16212	F212	175	18	53.5	34	143	17	19	M16	5/8	4.42
	60	60	F36212	36212	F212	175	18	53.5	34	143	17	19	M16	5/8	5.15
	60	60	F56212	56212	F212	175	18	53.5	34	143	17	19	M16	5/8	4.77
	60	60	F76212.2RSR	76212.2RSR	F212	175	18	53.5	34	143	17	19	M16	5/8	3.85
2 3/8	60.325	60.325	F16212.206	16212.206	F212	175	18	53.5	34	143	17	19	M16	5/8	4.41
	60.325	60.325	F36212.206	36212.206	F212	175	18	53.5	34	143	17	19	M16	5/8	5.05
	60.325	60.325	F56212.206	56212.206	F212	175	18	53.5	34	143	17	19	M16	5/8	4.64
2 7/16	61.913	61.913	F16212.207	16212.207	F212	175	18	53.5	34	143	17	19	M16	5/8	4.33
	61.913	61.913	F36212.207	36212.207	F212	175	18	53.5	34	143	17	19	M16	5/8	5.03
	61.913	61.913	F56212.207	56212.207	F212	175	18	53.5	34	143	17	19	M16	5/8	4.56

When replacing housings of earlier design the possibility of minor dimensional differences must be taken into account.

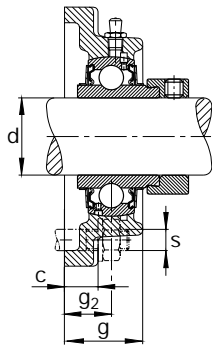
FAG S-TYPE BEARING UNITS

Series F362, F562
Flanged housings of grey-cast iron

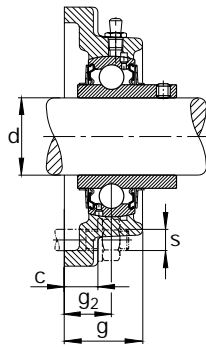


Shaft	Code		Dimensions					Fastening bolt		Mass ≈ S-type bearing unit kg				
	mm in	mm FAG	Flanged bearing unit S-type bearing with locking device FAG	Housing FAG	a	c	g	g ₂	m		u min	max	s mm	in
2 1/2	63.5	F36213.208	36213.208	F213	187	22	50	34	149.5	17	19	M16	5/8	7
	63.5	F56213.208	56213.208	F213	187	22	50	34	149.5	17	19	M16	5/8	5.9
65	65	F36213	36213	F213	187	22	50	34	149.5	17	19	M16	5/8	6.9
	65	F56213	56213	F213	187	22	50	34	149.5	17	19	M16	5/8	5.8
2 9/16	65.087	F36213.209	36213.209	F213	187	22	50	34	149.5	17	19	M16	5/8	6.9
	65.087	F56213.209	56213.209	F213	187	22	50	34	149.5	17	19	M16	5/8	5.8
2 5/8	66.675	F36214.210	36214.210	F214	193	22	54	35	153	17	19.9	M16	5/8	7.5
	66.675	F56214.210	56214.210	F214	193	22	54	35	153	17	19.9	M16	5/8	7
2 11/16	68.262	F36214.211	36214.211	F214	193	22	54	35	153	17	19.9	M16	5/8	7.5
	68.262	F56214.211	56214.211	F214	193	22	54	35	153	17	19.9	M16	5/8	6.9
2 3/4	69.85	F36214.212	36214.212	F214	193	22	54	35	153	17	19.9	M16	5/8	7.4
	69.85	F56214.212	56214.212	F214	193	22	54	35	153	17	19.9	M16	5/8	6.9
70	70	F36214	36214	F214	193	22	54	35	153	17	19.9	M16	5/8	7.4
	70	F56214	56214	F214	193	22	54	35	153	17	19.9	M16	5/8	6.8
2 13/16	71.437	F36215.213	36215.213	F215	200	22	56	35	159	17	24.5	M16	5/8	7.8
	71.437	F56215.213	56215.213	F215	200	22	56	35	159	17	24.5	M16	5/8	7.3
2 7/8	73.025	F36215.214	36215.214	F215	200	22	56	35	159	17	24.5	M16	5/8	7.7
	73.025	F56215.214	56215.214	F215	200	22	56	35	159	17	24.5	M16	5/8	7.2
2 15/16	74.612	F36215.215	36215.215	F215	200	22	56	35	159	17	24.5	M16	5/8	7.6
	74.612	F56215.215	56215.215	F215	200	22	56	35	159	17	24.5	M16	5/8	7.1
75	75	F36215	36215	F215	200	22	56	35	159	17	24.5	M16	5/8	7.6
	75	F56215	56215	F215	200	22	56	35	159	17	24.5	M16	5/8	7
3	76.2	F36215.300	36215.300	F215	200	22	56	35	159	17	24.5	M16	5/8	7.5
	76.2	F56215.300	56215.300	F215	200	22	56	35	159	17	24.5	M16	5/8	6.9
3 1/8	79.375	F36216.302	36216.302	F216	208	22	58	35	165	21	24.5	M20	3/4	8.6
	79.375	F56216.302	56216.302	F216	208	22	58	35	165	21	24.5	M20	3/4	8.6
80	80	F36216	36216	F216	208	22	58	35	165	21	24.5	M20	3/4	8.6
	80	F56216	56216	F216	208	22	58	35	165	21	24.5	M20	3/4	8.5

The **designs** in boldface are most readily available. Information on other designs will be supplied on request.



F362



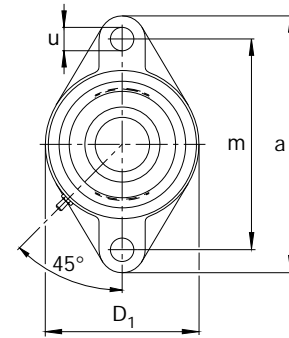
F562

Shaft	Code		S-type bearing with locking device FAG	Housing FAG	Dimensions							Fastening bolt		Mass ≈ S-type bearing unit kg
	mm in	mm FAG			a	c	g	g ₂	m	u min	max	s mm	in	
3 1/4	82.55	F36217.304	36217.304	F217	220	24	63	36	175	21	24.5	M20	3/4	11
	82.55	F56217.304	56217.304	F217	220	24	63	36	175	21	24.5	M20	3/4	10.8
85	85	F36217	36217	F217	220	24	63	36	175	21	24.5	M20	3/4	10.8
	85	F56217	56217	F217	220	24	63	36	175	21	24.5	M20	3/4	10.6
3 1/2	88.9	F36218.308	36218.308	F218	235	24	68	42	187	21	24.5	M20	3/4	13
	88.9	F56218.308	56218.308	F218	235	24	68	42	187	21	24.5	M20	3/4	12.9
90	90	F36218	36218	F218	235	24	68	42	187	21	24.5	M20	3/4	12.9
	90	F56218	56218	F218	235	24	68	42	187	21	24.5	M20	3/4	12.8

When replacing housings of earlier design the possibility of minor dimensional differences must be taken into account.

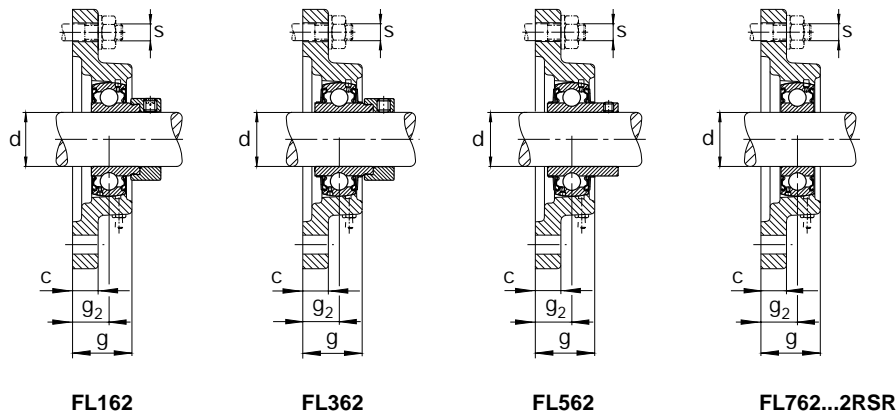
FAG S-TYPE BEARING UNITS

Series FL162, FL362, FL562, FL762..2RSR
Flanged housings of grey-cast iron



Shaft	Code				Dimensions								Fastening bolt		Mass ≈ S-type bearing unit kg		
	mm	mm	Flanged bearing unit	S-type bearing unit with locking device	Housing	a	c	D ₁	g	g ₂	m	u	min	max		s	in
in	mm	FAG	FAG	FAG	mm	mm	mm	mm	mm	mm	mm	mm	mm	mm	mm	in	kg
12	12	FL16203/12	16203/12	FL203	98	12	60	27	17	76.5	11	12.5	M10	3/8	0.48		
	1/2	12.7	FL16203.008	16203.008	FL203	98	12	60	27	76.5	11	12.5	M10	3/8	0.478		
	9/16	14.288	FL16203.009	16203.009	FL203	98	12	60	27	76.5	11	12.5	M10	3/8	0.473		
15	15	FL16203/15	16203/15	FL203	98	12	60	27	17	76.5	11	12.5	M10	3/8	0.47		
	5/8	15.875	FL16203.010	16203.010	FL203	98	12	60	27	76.5	11	12.5	M10	3/8	0.467		
17	17	FL16203	16203	FL203	98	12	60	27	17	76.5	11	12.5	M10	3/8	0.45		
	17	FL76203.2RSR	76203.2RSR	FL203	98	12	60	27	17	76.5	11	12.5	M10	3/8	0.414		
	11/16	17.463	FL16203.011	16203.011	FL203	98	12	60	27	76.5	11	12.5	M10	3/8	0.441		
	3/4	19.05	FL16204.012	16204.012	FL204	113	13	61	29.5	19	90	11	12.5	M10	3/8	0.554	
	19.05	FL36204.012	36204.012	FL204	113	13	61	29.5	19	90	11	12.5	M10	3/8	0.608		
	19.05	FL56204.012	56204.012	FL204	113	13	61	29.5	19	90	11	12.5	M10	3/8	0.562		
20	20	FL16204	16204	FL204	113	13	61	29.5	19	90	11	12.5	M10	3/8	0.55		
	20	FL36204	36204	FL204	113	13	61	29.5	19	90	11	12.5	M10	3/8	0.6		
	20	FL56204	56204	FL204	113	13	61	29.5	19	90	11	12.5	M10	3/8	0.54		
	20	FL76204.2RSR	76204.2RSR	FL204	113	13	61	29.5	19	90	11	12.5	M10	3/8	0.506		
13/16	20.638	FL16205.013	16205.013	FL205	123	13	70	30	19	99	11.5	12.5	M10	7/16	0.846		
	20.638	FL36205.013	36205.013	FL205	123	13	70	30	19	99	11.5	12.5	M10	7/16	0.913		
	20.638	FL56205.013	56205.013	FL205	123	13	70	30	19	99	11.5	12.5	M10	7/16	0.838		
7/8	22.225	FL16205.014	16205.014	FL205	123	13	70	30	19	99	11.5	12.5	M10	7/16	0.837		
	22.225	FL36205.014	36205.014	FL205	123	13	70	30	19	99	11.5	12.5	M10	7/16	0.898		
	22.225	FL56205.014	56205.014	FL205	123	13	70	30	19	99	11.5	12.5	M10	7/16	0.823		
15/16	23.813	FL16205.015	16205.015	FL205	123	13	70	30	19	99	11.5	12.5	M10	7/16	0.828		
	23.813	FL36205.015	36205.015	FL205	123	13	70	30	19	99	11.5	12.5	M10	7/16	0.882		
	23.813	FL56205.015	56205.015	FL205	123	13	70	30	19	99	11.5	12.5	M10	7/16	0.808		
25	25	FL16205	16205	FL205	123	13	70	30	19	99	11.5	12.5	M10	7/16	0.82		
	25	FL36205	36205	FL205	123	13	70	30	19	99	11.5	12.5	M10	7/16	0.87		
	25	FL56205	56205	FL205	123	13	70	30	19	99	11.5	12.5	M10	7/16	0.79		
	25	FL76205.2RSR	76205.2RSR	FL205	123	13	70	30	19	99	11.5	12.5	M10	7/16	0.728		

The **designs** in boldface are most readily available. Information on other designs will be supplied on request.

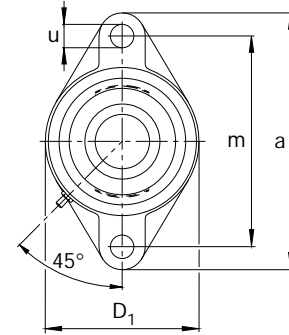


Shaft	Code		Dimensions					Fastening bolt		Mass ≈ S-type bearing unit kg						
	mm	in	Flanged bearing unit FAG	S-type bearing with locking device FAG	Housing FAG	a	c	D ₁	g		g ₂	m	u	min	max	s
1	25.4		FL16205.100	16205.100	FL205	123	13	70	30	19	99	11.5	12.5	M10	7/16	0.817
	25.4		FL36205.100	36205.100	FL205	123	13	70	30	19	99	11.5	12.5	M10	7/16	0.865
	25.4		FL56205.100	56205.100	FL205	123	13	70	30	19	99	11.5	12.5	M10	7/16	0.788
1 1/16	26.988		FL16206.101	16206.101	FL206	142	14	82	32.5	20	116.5	11.5	12.5	M10	7/16	1.08
	26.988		FL36206.101	36206.101	FL206	142	14	82	32.5	20	116.5	11.5	12.5	M10	7/16	1.21
	26.988		FL56206.101	56206.101	FL206	142	14	82	32.5	20	116.5	11.5	12.5	M10	7/16	1.1
1 1/8	28.575		FL16206.102	16206.102	FL206	142	14	82	32.5	20	116.5	11.5	12.5	M10	7/16	1.06
	28.575		FL36206.102	36206.102	FL206	142	14	82	32.5	20	116.5	11.5	12.5	M10	7/16	1.19
	28.575		FL56206.102	56206.102	FL206	142	14	82	32.5	20	116.5	11.5	12.5	M10	7/16	1.08
30	30		FL16206	16206	FL206	142	14	82	32.5	20	116.5	11.5	12.5	M10	7/16	1.05
	30		FL36206	36206	FL206	142	14	82	32.5	20	116.5	11.5	12.5	M10	7/16	1.17
	30		FL56206	56206	FL206	142	14	82	32.5	20	116.5	11.5	12.5	M10	7/16	1.06
	30		FL76206.2RSR	76206.2RSR	FL206	142	14	82	32.5	20	116.5	11.5	12.5	M10	7/16	0.943
1 3/16	30.163		FL16206.103	16206.103	FL206	142	14	82	32.5	20	116.5	11.5	12.5	M10	7/16	1.05
	30.163		FL36206.103	36206.103	FL206	142	14	82	32.5	20	116.5	11.5	12.5	M10	7/16	1.17
	30.163		FL56206.103	56206.103	FL206	142	14	82	32.5	20	116.5	11.5	12.5	M10	7/16	1.06
1 1/4	31.75		FL16206.104	16206.104	FL206	142	14	82	32.5	20	116.5	11.5	12.5	M10	7/16	1.03
	31.75		FL36206.104	36206.104	FL206	142	14	82	32.5	20	116.5	11.5	12.5	M10	7/16	1.15
	31.75		FL56206.104	56206.104	FL206	142	14	82	32.5	20	116.5	11.5	12.5	M10	7/16	1.03
1 1/2	31.75		FL16207.104	16207.104	FL207	156	15	94	35	21	130	13	15	M12	1/2	1.43
	31.75		FL36207.104	36207.104	FL207	156	15	94	35	21	130	13	15	M12	1/2	1.59
	31.75		FL56207.104	56207.104	FL207	156	15	94	35	21	130	13	15	M12	1/2	1.44
	31.75		FL16207.104	16207.104	FL207	156	15	94	35	21	130	13	15	M12	1/2	1.43
1 5/16	33.338		FL16207.105	16207.105	FL207	156	15	94	35	21	130	13	15	M12	1/2	1.42
	33.338		FL36207.105	36207.105	FL207	156	15	94	35	21	130	13	15	M12	1/2	1.57
	33.338		FL56207.105	56207.105	FL207	156	15	94	35	21	130	13	15	M12	1/2	1.41
1 3/8	34.925		FL16207.106	16207.106	FL207	156	15	94	35	21	130	13	15	M12	1/2	1.4
	34.925		FL36207.106	36207.106	FL207	156	15	94	35	21	130	13	15	M12	1/2	1.54
	34.925		FL56207.106	56207.106	FL207	156	15	94	35	21	130	13	15	M12	1/2	1.38
35	35		FL16207	16207	FL207	156	15	94	35	21	130	13	15	M12	1/2	1.4
	35		FL36207	36207	FL207	156	15	94	35	21	130	13	15	M12	1/2	1.54
	35		FL56207	56207	FL207	156	15	94	35	21	130	13	15	M12	1/2	1.37
	35		FL76207.2RSR	76207.2RSR	FL207	156	15	94	35	21	130	13	15	M12	1/2	1.19

When replacing housings of earlier design the possibility of minor dimensional differences must be taken into account.

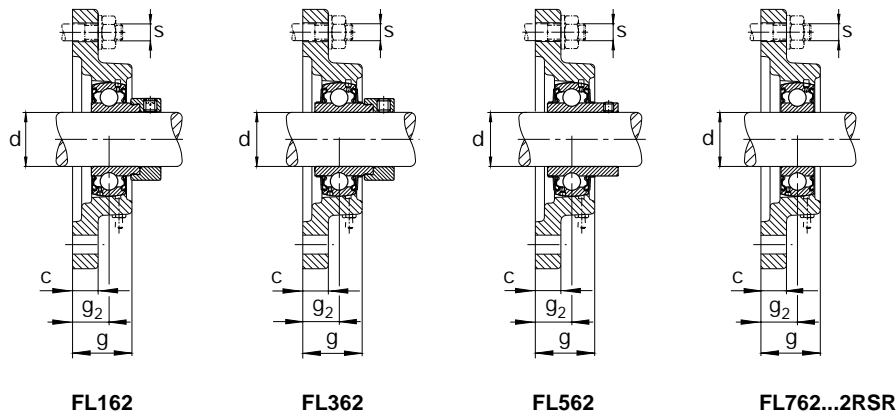
FAG S-TYPE BEARING UNITS

Series FL162, FL362, FL562, FL762..2RSR
Flanged housings of grey-cast iron



Shaft	Code		Dimensions							Fastening bolt		Mass ≈ S-type bearing unit kg			
	mm in	mm FAG	Flanged bearing unit S-type bearing Housing with locking device FAG FAG	a mm	c	D ₁	g	g ₂	m	u min	max		s mm	in	
1 7/16	36.513	FL16207.107	16207.107	FL207	156	15	94	35	21	130	13	15	M12	1/2	1.38
	36.513	FL36207.107	36207.107	FL207	156	15	94	35	21	130	13	15	M12	1/2	1.52
	36.513	FL56207.107	56207.107	FL207	156	15	94	35	21	130	13	15	M12	1/2	1.35
1 1/2	38.1	FL16208.108	16208.108	FL208	172	15	103	39	24	143.5	13	15	M12	1/2	1.91
	38.1	FL36208.108	36208.108	FL208	172	15	103	39	24	143.5	13	15	M12	1/2	2.13
	38.1	FL56208.108	56208.108	FL208	172	15	103	39	24	143.5	13	15	M12	1/2	1.89
1 9/16	39.688	FL16208.109	16208.109	FL208	172	15	103	39	24	143.5	13	15	M12	1/2	1.88
	39.688	FL36208.109	36208.109	FL208	172	15	103	39	24	143.5	13	15	M12	1/2	2.1
	39.688	FL56208.109	56208.109	FL208	172	15	103	39	24	143.5	13	15	M12	1/2	1.86
40	40	FL16208	16208	FL208	172	15	103	39	24	143.5	13	15	M12	1/2	1.88
	40	FL36208	36208	FL208	172	15	103	39	24	143.5	13	15	M12	1/2	2.09
	40	FL56208	56208	FL208	172	15	103	39	24	143.5	13	15	M12	1/2	1.86
	40	FL76208.2RSR	76208.2RSR	FL208	172	15	103	39	24	143.5	13	15	M12	1/2	1.62
1 5/8	41.275	FL16209.110	16209.110	FL209	180	16	108	40	24	148.5	15	17	M14	9/16	2.09
	41.275	FL36209.110	36209.110	FL209	180	16	108	40	24	148.5	15	17	M14	9/16	2.32
	41.275	FL56209.110	56209.110	FL209	180	16	108	40	24	148.5	15	17	M14	9/16	2.19
1 11/16	42.863	FL16209.111	16209.111	FL209	180	16	108	40	24	148.5	15	17	M14	9/16	2.07
	42.863	FL36209.111	36209.111	FL209	180	16	108	40	24	148.5	15	17	M14	9/16	2.28
	42.863	FL56209.111	56209.111	FL209	180	16	108	40	24	148.5	15	17	M14	9/16	2.15
1 3/4	44.45	FL16209.112	16209.112	FL209	180	16	108	40	24	148.5	15	17	M14	9/16	2.04
	44.45	FL36209.112	36209.112	FL209	180	16	108	40	24	148.5	15	17	M14	9/16	2.24
	44.45	FL56209.112	56209.112	FL209	180	16	108	40	24	148.5	15	17	M14	9/16	2.12
45	45	FL16209	16209	FL209	180	16	108	40	24	148.5	15	17	M14	9/16	2.03
	45	FL36209	36209	FL209	180	16	108	40	24	148.5	15	17	M14	9/16	2.23
	45	FL56209	56209	FL209	180	16	108	40	24	148.5	15	17	M14	9/16	2.11
	45	FL76209.2RSR	76209.2RSR	FL209	180	16	108	40	24	148.5	15	17	M14	9/16	1.76
1 13/16	46.038	FL16210.113	16210.113	FL210	190	17	114	45	28	157	17	19	M16	5/8	2.49
	46.038	FL36210.113	36210.113	FL210	190	17	114	45	28	157	17	19	M16	5/8	2.78
	46.038	FL56210.113	56210.113	FL210	190	17	114	45	28	157	17	19	M16	5/8	2.56
1 7/8	47.625	FL16210.114	16210.114	FL210	190	17	114	45	28	157	17	19	M16	5/8	2.46
	47.625	FL36210.114	36210.114	FL210	190	17	114	45	28	157	17	19	M16	5/8	2.73
	47.625	FL56210.114	56210.114	FL210	190	17	114	45	28	157	17	19	M16	5/8	2.51

The **designs** in boldface are most readily available. Information on other designs will be supplied on request.



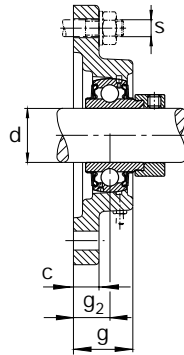
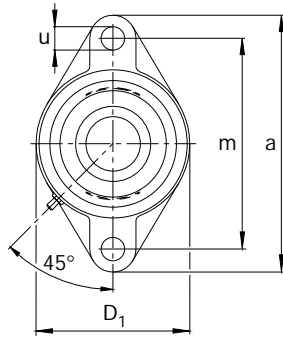
Shaft	Code	Dimensions										Fastening bolt		Mass ≈ S-type bearing unit kg	
		Flanged bearing unit	S-type bearing with locking device	Housing	a	c	D ₁	g	g ₂	m	u	min	max		s
mm		FAG	FAG	FAG	mm								mm	in	
1 15/16	49.213	FL16210.115	16210.115	FL210	190	17	114	45	28	157	17	19	M16	5/8	2.44
	49.213	FL36210.115	36210.115	FL210	190	17	114	45	28	157	17	19	M16	5/8	2.68
	49.213	FL56210.115	56210.115	FL210	190	17	114	45	28	157	17	19	M16	5/8	2.46
50	50	FL16210	16210	FL210	190	17	114	45	28	157	17	19	M16	5/8	2.42
	50	FL36210	36210	FL210	190	17	114	45	28	157	17	19	M16	5/8	2.66
	50	FL56210	56210	FL210	190	17	114	45	28	157	17	19	M16	5/8	2.42
	50	FL76210.2RSR	76210.2RSR	FL210	190	17	114	45	28	157	17	19	M16	5/8	2.11
2	50.8	FL16211.200	16211.200	FL211	217	18	128	49	31	184	17	19	M16	5/8	3.16
	50.8	FL36211.200	36211.200	FL211	217	18	128	49	31	184	17	19	M16	5/8	3.76
	50.8	FL56211.200	56211.200	FL211	217	18	128	49	31	184	17	19	M16	5/8	3.46
2 1/8	53.975	FL16211.202	16211.202	FL211	217	18	128	49	31	184	17	19	M16	5/8	3.07
	53.975	FL36211.202	36211.202	FL211	217	18	128	49	31	184	17	19	M16	5/8	3.65
	53.975	FL56211.202	56211.202	FL211	217	18	128	49	31	184	17	19	M16	5/8	3.41
55	55	FL16211	16211	FL211	217	18	128	49	31	184	17	19	M16	5/8	3.03
	55	FL36211	36211	FL211	217	18	128	49	31	184	17	19	M16	5/8	3.63
	55	FL56211	56211	FL211	217	18	128	49	31	184	17	19	M16	5/8	3.39
	55	FL76211.2RSR	76211.2RSR	FL211	217	18	128	49	31	184	17	19	M16	5/8	2.87
2 3/16	55.563	FL16211.203	16211.203	FL211	217	18	128	49	31	184	17	19	M16	5/8	3.01
	55.563	FL36211.203	36211.203	FL211	217	18	128	49	31	184	17	19	M16	5/8	3.15
	55.563	FL56211.203	56211.203	FL211	217	18	128	49	31	184	17	19	M16	5/8	3.34
2 1/4	57.15	FL16212.204	16212.204	FL212	237	18	138	53.5	34	202	17	19	M16	5/8	3.95
	57.15	FL36212.204	36212.204	FL212	237	18	138	53.5	34	202	17	19	M16	5/8	4.65
	57.15	FL56212.204	56212.204	FL212	237	18	138	53.5	34	202	17	19	M16	5/8	4.24
60	60	FL16212	16212	FL212	237	18	138	53.5	34	202	17	19	M16	5/8	3.82
	60	FL36212	36212	FL212	237	18	138	53.5	34	202	17	19	M16	5/8	4.55
	60	FL56212	56212	FL212	237	18	138	53.5	34	202	17	19	M16	5/8	4.17
	60	FL76212.2RSR	76212.2RSR	FL212	237	18	138	53.5	34	202	17	19	M16	5/8	3.25
2 3/8	60.325	FL16212.206	16212.206	FL212	237	18	138	53.5	34	202	17	19	M16	5/8	3.81
	60.325	FL36212.206	36212.206	FL212	237	18	138	53.5	34	202	17	19	M16	5/8	4.45
	60.325	FL56212.206	56212.206	FL212	237	18	138	53.5	34	202	17	19	M16	5/8	4.04
2 7/16	61.913	FL16212.207	16212.207	FL212	237	18	138	53.5	34	202	17	19	M16	5/8	3.73
	61.913	FL36212.207	36212.207	FL212	237	18	138	53.5	34	202	17	19	M16	5/8	4.43
	61.913	FL56212.207	56212.207	FL212	237	18	138	53.5	34	202	17	19	M16	5/8	3.96

When replacing housings of earlier design the possibility of minor dimensional differences must be taken into account.

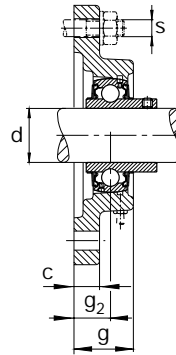
FAG S-TYPE BEARING UNITS

Series FL362, FL562

Flanged housings of grey-cast iron



FL362



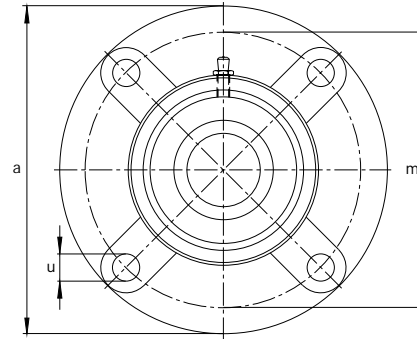
FL562

Shaft	Code		Dimensions										Fastening bolt		Mass ≈ S-type bearing unit kg
	mm in	mm FAG	Flanged bearing unit FAG	S-type bearing Housing with locking device FAG	Housing FAG	a	c	D ₁	g	g ₂	m	u min	max	s	
2 1/2	63.5	FL36213.208	36213.208	FL213	258	22	155	50	35	210	17	19	M16	5/8	6.1
	63.5	FL56213.208	56213.208	FL213	258	22	155	50	35	210	17	19	M16	5/8	5
65	65	FL36213	36213	FL213	258	22	155	50	35	210	17	19	M16	5/8	6
	65	FL56213	56213	FL213	258	22	155	50	35	210	17	19	M16	5/8	5
2 9/16	65.087	FL36213.209	36213.209	FL213	258	22	155	50	35	210	17	19	M16	5/8	6
	65.087	FL56213.209	56213.209	FL213	258	22	155	50	35	210	17	19	M16	5/8	4.9
2 5/8	66.675	FL36214.210	36214.210	FL214	265	22	160	54	35	216	17	19.9	M16	5/8	6.4
	66.675	FL56214.210	56214.210	FL214	265	22	160	54	35	216	17	19.9	M16	5/8	5.9
2 11/16	68.262	FL36214.211	36214.211	FL214	265	22	160	54	35	216	17	19.9	M16	5/8	6.4
	68.262	FL56214.211	56214.211	FL214	265	22	160	54	35	216	17	19.9	M16	5/8	5.8
2 3/4	69.85	FL36214.212	36214.212	FL214	265	22	160	54	35	216	17	19.9	M16	5/8	6.3
	69.85	FL56214.212	56214.212	FL214	265	22	160	54	35	216	17	19.9	M16	5/8	5.8
70	70	FL36214	36214	FL214	265	22	160	54	35	216	17	19.9	M16	5/8	6.3
	70	FL56214	56214	FL214	265	22	160	54	35	216	17	19.9	M16	5/8	5.3
2 13/16	71.437	FL36215.213	36215.213	FL215	275	22	165	56	35	225	17	24.5	M16	5/8	6.9
	71.437	FL56215.213	56215.213	FL215	275	22	165	56	35	225	17	24.5	M16	5/8	6.4
2 7/8	73.025	FL36215.214	36215.214	FL215	275	22	165	56	35	225	17	24.5	M16	5/8	6.8
	73.025	FL56215.214	56215.214	FL215	275	22	165	56	35	225	17	24.5	M16	5/8	6.3
2 15/16	74.612	FL36215.215	36215.215	FL215	275	22	165	56	35	225	17	24.5	M16	5/8	6.7
	74.612	FL56215.215	56215.215	FL215	275	22	165	56	35	225	17	24.5	M16	5/8	6.2
75	75	FL36215	36215	FL215	275	22	165	56	35	225	17	24.5	M16	5/8	6.7
	75	FL56215	56215	FL215	275	22	165	56	35	225	17	24.5	M16	5/8	6.2
3	76.2	FL36215.300	36215.300	FL215	275	22	165	56	35	225	17	24.5	M16	5/8	6.6
	76.2	FL56215.300	56215.300	FL215	275	22	165	56	35	225	17	24.5	M16	5/8	6

The **designs** in boldface are most readily available. Information on other designs will be supplied on request. When replacing housings of earlier design the possibility of minor dimensional differences must be taken into account.

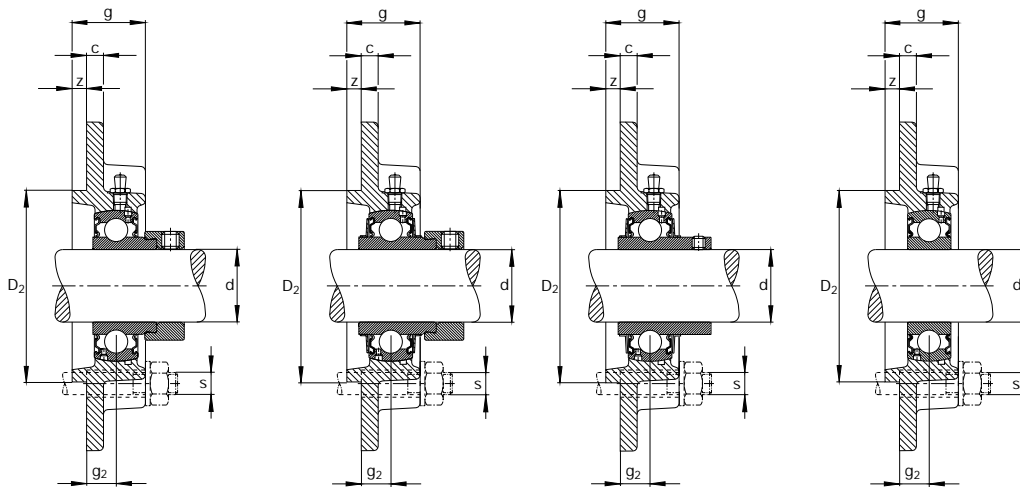
FAG S-TYPE BEARING UNITS

Series FC162, FC362, FC562, FC762...2RSR
Flanged housings of grey-cast iron



Shaft	Code				Dimensions							Fastening bolt		Mass ≈ S-type bearing unit kg		
	mm	mm	Flanged bearing unit FAG	S-type bearing with locking device FAG	Housing FAG	a	c	D ₂	g	g ₂	m	u	z		s	in
in	mm	FAG	FAG	FAG	mm									mm	in	
3/4	19.05	FC16204.012	16204.012	FC204	100	7	62	25.5	10	78	12	5	M10	3/8	0.954	
	19.05	FC36204.012	36204.012	FC204	100	7	62	25.5	10	78	12	5	M10	3/8	1.01	
	19.05	FC56204.012	56204.012	FC204	100	7	62	25.5	10	78	12	5	M10	3/8	0.962	
20	20	FC16204	16204	FC204	100	7	62	25.5	10	78	12	5	M10	3/8	0.95	
	20	FC36204	36204	FC204	100	7	62	25.5	10	78	12	5	M10	3/8	1	
	20	FC56204	56204	FC204	100	7	62	25.5	10	78	12	5	M10	3/8	0.94	
	20	FC76204.2RSR	76204.2RSR	FC204	100	7	62	25.5	10	78	12	5	M10	3/8	0.91	
13/16	20.638	FC16205.013	16205.013	FC205	115	7	70	27	10	90	12	6	M10	3/8	1.3	
	20.638	FC36205.013	36205.013	FC205	115	7	70	27	10	90	12	6	M10	3/8	1.36	
	20.638	FC56205.013	56205.013	FC205	115	7	70	27	10	90	12	6	M10	3/8	1.23	
7/8	22.225	FC16205.014	16205.014	FC205	115	7	70	27	10	90	12	6	M10	3/8	1.29	
	22.225	FC36205.014	36205.014	FC205	115	7	70	27	10	90	12	6	M10	3/8	1.35	
	22.225	FC56205.014	56205.014	FC205	115	7	70	27	10	90	12	6	M10	3/8	1.27	
15/16	23.813	FC16205.015	16205.015	FC205	115	7	70	27	10	90	12	6	M10	3/8	1.28	
	23.813	FC36205.015	36205.015	FC205	115	7	70	27	10	90	12	6	M10	3/8	1.33	
	23.813	FC56205.015	56205.015	FC205	115	7	70	27	10	90	12	6	M10	3/8	1.26	
25	25	FC16205	16205	FC205	115	7	70	27	10	90	12	6	M10	3/8	1.27	
	25	FC36205	36205	FC205	115	7	70	27	10	90	12	6	M10	3/8	1.32	
	25	FC56205	56205	FC205	115	7	70	27	10	90	12	6	M10	3/8	1.24	
	25	FC76205.2RSR	76205.2RSR	FC205	115	7	70	27	10	90	12	6	M10	3/8	1.18	
1	25.4	FC16205.100	16205.100	FC205	115	7	70	27	10	90	12	6	M10	3/8	1.27	
	25.4	FC36205.100	36205.100	FC205	115	7	70	27	10	90	12	6	M10	3/8	1.32	
	25.4	FC56205.100	56205.100	FC205	115	7	70	27	10	90	12	6	M10	3/8	1.24	
1 1/16	26.988	FC16206.101	16206.101	FC206	125	8	80	31	10	100	12	8	M10	3/8	1.68	
	26.988	FC36206.101	36206.101	FC206	125	8	80	31	10	100	12	8	M10	3/8	1.81	
	26.988	FC56206.101	56206.101	FC206	125	8	80	31	10	100	12	8	M10	3/8	1.7	
1 1/8	28.575	FC16206.102	16206.102	FC206	125	8	80	31	10	100	12	8	M10	3/8	1.66	
	28.575	FC36206.102	36206.102	FC206	125	8	80	31	10	100	12	8	M10	3/8	1.79	
	28.575	FC56206.102	56206.102	FC206	125	8	80	31	10	100	12	8	M10	3/8	1.68	
30	30	FC16206	16206	FC206	125	8	80	31	10	100	12	8	M10	3/8	1.65	
	30	FC36206	36206	FC206	125	8	80	31	10	100	12	8	M10	3/8	1.77	
	30	FC56206	56206	FC206	125	8	80	31	10	100	12	8	M10	3/8	1.66	
	30	FC76206.2RSR	76206.2RSR	FC206	125	8	80	31	10	100	12	8	M10	3/8	1.54	

The **designs** in boldface are most readily available. Information on other designs will be supplied on request.



FC162

FC362

FC562

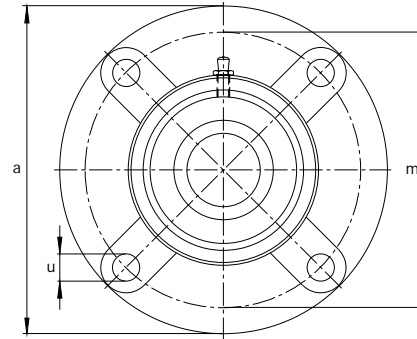
FC762...2RSR

Shaft	Code	Dimensions			Fastening bolt			Mass ≈ S-type bearing unit kg							
		Flanged bearing unit	S-type bearing with locking device	Housing	a	c	D ₂		g	g ₂	m	u	z	s	
mm	FAG	FAG	FAG	FAG	mm			mm	in				mm	in	
1 ³ / ₁₆	30.163	FC16206.103	16206.103	FC206	125	8	80	31	10	100	12	8	M10	³ / ₈	1.65
	30.163	FC36206.103	36206.103	FC206	125	8	80	31	10	100	12	8	M10	³ / ₈	1.77
	30.163	FC56206.103	56206.103	FC206	125	8	80	31	10	100	12	8	M10	³ / ₈	1.66
1 ¹ / ₄	31.75	FC16206.104	16206.104	FC206	125	8	80	31	11	100	12	8	M10	³ / ₈	1.63
	31.75	FC36206.104	36206.104	FC206	125	8	80	31	11	100	12	8	M10	³ / ₈	1.75
	31.75	FC56206.104	56206.104	FC206	125	8	80	31	11	100	12	8	M10	³ / ₈	1.63
1 ⁵ / ₁₆	31.75	FC16207.104	16207.104	FC207	135	9	90	34	11	110	14	8	M12	¹ / ₂	1.93
	31.75	FC36207.104	36207.104	FC207	135	9	90	34	11	110	14	8	M12	¹ / ₂	2.05
	31.75	FC56207.104	56207.104	FC207	135	9	90	34	11	110	14	8	M12	¹ / ₂	1.93
1 ⁵ / ₁₆	33.338	FC16207.105	16207.105	FC207	135	9	90	34	11	110	14	8	M12	¹ / ₂	2.18
	33.338	FC36207.105	36207.105	FC207	135	9	90	34	11	110	14	8	M12	¹ / ₂	2.34
	33.338	FC56207.105	56207.105	FC207	135	9	90	34	11	110	14	8	M12	¹ / ₂	2.19
1 ³ / ₈	34.925	FC16207.106	16207.106	FC207	135	9	90	34	11	110	14	8	M12	¹ / ₂	2.17
	34.925	FC36207.106	36207.106	FC207	135	9	90	34	11	110	14	8	M12	¹ / ₂	2.32
	34.925	FC56207.106	56207.106	FC207	135	9	90	34	11	110	14	8	M12	¹ / ₂	2.16
35	35	FC16207	16207	FC207	135	9	90	34	11	110	14	8	M12	¹ / ₂	2.15
	35	FC36207	36207	FC207	135	9	90	34	11	110	14	8	M12	¹ / ₂	2.29
	35	FC56207	56207	FC207	135	9	90	34	11	110	14	8	M12	¹ / ₂	2.12
	35	FC76207.2RSR	76207.2RSR	FC207	135	9	90	34	11	110	14	8	M12	¹ / ₂	1.94
1 ⁷ / ₁₆	36.513	FC16207.107	16207.107	FC207	135	9	90	34	11	110	14	8	M12	¹ / ₂	2.13
	36.513	FC36207.107	36207.107	FC207	135	9	90	34	11	110	14	8	M12	¹ / ₂	2.27
	36.513	FC56207.107	56207.107	FC207	135	9	90	34	11	110	14	8	M12	¹ / ₂	2.1
1 ¹ / ₂	38.1	FC16208.108	16208.108	FC208	145	9	100	36	11	120	14	10	M12	¹ / ₂	2.51
	38.1	FC36208.108	36208.108	FC208	145	9	100	36	11	120	14	10	M12	¹ / ₂	2.73
	38.1	FC56208.108	56208.108	FC208	145	9	100	36	11	120	14	10	M12	¹ / ₂	2.5
1 ⁹ / ₁₆	39.688	FC16208.109	16208.109	FC208	145	9	100	36	11	120	14	10	M12	¹ / ₂	2.48
	39.688	FC36208.109	36208.109	FC208	145	9	100	36	11	120	14	10	M12	¹ / ₂	2.7
	39.688	FC56208.109	56208.109	FC208	145	9	100	36	11	120	14	10	M12	¹ / ₂	2.46
40	40	FC16208	16208	FC208	145	9	100	36	11	120	14	10	M12	¹ / ₂	2.48
	40	FC36208	36208	FC208	145	9	100	36	11	120	14	10	M12	¹ / ₂	2.69
	40	FC56208	56208	FC208	145	9	100	36	11	120	14	10	M12	¹ / ₂	2.46
	40	FC76208.2RSR	76208.2RSR	FC208	145	9	100	36	11	120	14	10	M12	¹ / ₂	2.22

When replacing housings of earlier design the possibility of minor dimensional differences must be taken into account.

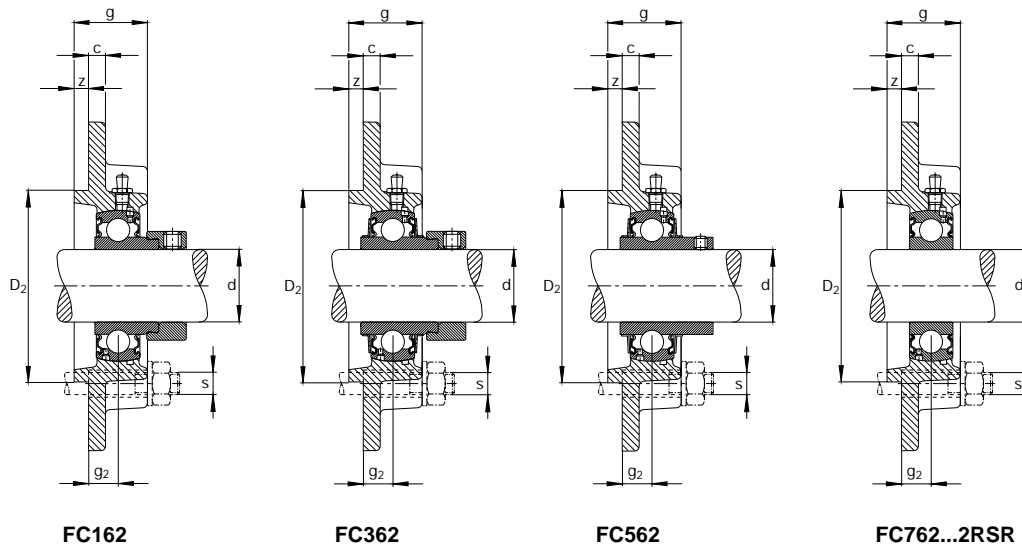
FAG S-TYPE BEARING UNITS

Series FC162, FC362, FC562, FC762..2RSR
Flanged housings of grey-cast iron



Shaft	Code		Dimensions										Fastening bolt		Mass ≈ S-type bearing unit kg
	mm in	mm in	Flanged bearing unit FAG	S-type bearing with locking device FAG	Housing FAG	a	c	D ₂	g	g ₂	m	u	z	s	
1 5/8	41.275	FC16209.110	16209.110	FC209	160	14	105	38	10	132	16	12	M14	9/16	3.39
	41.275	FC36209.110	36209.110	FC209	160	14	105	38	10	132	16	12	M14	9/16	3.62
	41.275	FC56209.110	56209.110	FC209	160	14	105	38	10	132	16	12	M14	9/16	3.49
1 11/16	42.863	FC16209.111	16209.111	FC209	160	14	105	38	10	132	16	12	M14	9/16	3.37
	42.863	FC36209.111	36209.111	FC209	160	14	105	38	10	132	16	12	M14	9/16	3.58
	42.863	FC56209.111	56209.111	FC209	160	14	105	38	10	132	16	12	M14	9/16	3.45
1 3/4	44.45	FC16209.112	16209.112	FC209	160	14	105	38	10	132	16	12	M14	9/16	3.34
	44.45	FC36209.112	36209.112	FC209	160	14	105	38	10	132	16	12	M14	9/16	3.54
	44.45	FC56209.112	56209.112	FC209	160	14	105	38	10	132	16	12	M14	9/16	3.42
45	45	FC16209	16209	FC209	160	14	105	38	10	132	16	12	M14	9/16	3.33
	45	FC36209	36209	FC209	160	14	105	38	10	132	16	12	M14	9/16	3.53
	45	FC56209	56209	FC209	160	14	105	38	10	132	16	12	M14	9/16	3.41
	45	FC76209.2RSR	76209.2RSR	FC209	160	14	105	38	10	132	16	12	M14	9/16	3.06
1 13/16	46.038	FC16210.113	16210.113	FC210	165	14	110	40	10	138	16	12	M14	9/16	3.64
	46.038	FC36210.113	36210.113	FC210	165	14	110	40	10	138	16	12	M14	9/16	3.93
	46.038	FC56210.113	56210.113	FC210	165	14	110	40	10	138	16	12	M14	9/16	3.71
1 7/8	47.625	FC16210.114	16210.114	FC210	165	14	110	40	10	138	16	12	M14	9/16	3.61
	47.625	FC36210.114	36210.114	FC210	165	14	110	40	10	138	16	12	M14	9/16	3.88
	47.625	FC56210.114	56210.114	FC210	165	14	110	40	10	138	16	12	M14	9/16	3.66
1 15/16	49.213	FC16210.115	16210.115	FC210	165	14	110	40	10	138	16	12	M14	9/16	3.59
	49.213	FC36210.115	36210.115	FC210	165	14	110	40	10	138	16	12	M14	9/16	3.83
	49.213	FC56210.115	56210.115	FC210	165	14	110	40	10	138	16	12	M14	9/16	3.61
50	50	FC16210	16210	FC210	165	14	110	40	10	138	16	12	M14	9/16	3.57
	50	FC36210	36210	FC210	165	14	110	40	10	138	16	12	M14	9/16	3.81
	50	FC56210	56210	FC210	165	14	110	40	10	138	16	12	M14	9/16	3.57
	50	FC76210.2RSR	76210.2RSR	FC210	165	14	110	40	10	138	16	12	M14	9/16	3.27
2	50.8	FC16211.200	16211.200	FC210	165	14	110	40	10	138	16	12	M14	9/16	3.76
	50.8	FC36211.200	36211.200	FC210	165	14	110	40	10	138	16	12	M14	9/16	4.3
	50.8	FC56211.200	56211.200	FC210	165	14	110	40	10	138	16	12	M14	9/16	4.06
2 1/8	53.975	FC16211.202	16211.202	FC211	185	15	125	43	13	150	19	12	M16	5/8	4.87
	53.975	FC36211.202	36211.202	FC211	185	15	125	43	13	150	19	12	M16	5/8	5.45
	53.975	FC56211.202	56211.202	FC211	185	15	125	43	13	150	19	12	M16	5/8	5.21

The **designs** in boldface are most readily available. Information on other designs will be supplied on request.



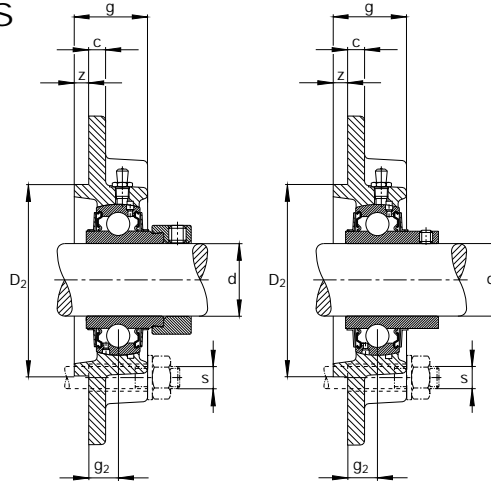
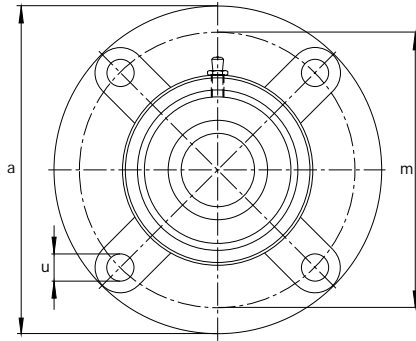
Shaft	Code		Dimensions					Fastening bolt		Mass ≈ S-type bearing unit kg					
	mm	in	Flanged bearing unit	S-type bearing with locking device	Housing	a	c	D ₂	g		g ₂	m	u	z	s
	mm	FAG	FAG	FAG	FAG	mm	mm	mm	mm	mm	mm	mm	mm	mm	in
55	55	FC16211	16211	FC211	185	15	125	43	13	150	19	12	M16	5/8	4.83
	55	FC36211	36211	FC211	185	15	125	43	13	150	19	12	M16	5/8	5.43
	55	FC56211	56211	FC211	185	15	125	43	13	150	19	12	M16	5/8	5.19
	55	FC76211.2RSR	76211.2RSR	FC211	185	15	125	43	13	150	19	12	M16	5/8	4.67
2 3/16	55.563	FC16211.203	16211.203	FC211	185	15	125	43	13	150	19	12	M16	5/8	4.81
	55.563	FC36211.203	36211.203	FC211	185	15	125	43	13	150	19	12	M16	5/8	4.95
	55.563	FC56211.203	56211.203	FC211	185	15	125	43	13	150	19	12	M16	5/8	5.16
2 1/4	57.15	FC16212.204	16212.204	FC212	195	15	135	48	17	160	19	12	M16	5/8	5.75
	57.15	FC36212.204	36212.204	FC212	195	15	135	48	17	160	19	12	M16	5/8	6.45
	57.15	FC56212.204	56212.204	FC212	195	15	135	48	17	160	19	12	M16	5/8	6.04
60	60	FC16212	16212	FC212	195	15	135	48	17	160	19	12	M16	5/8	5.62
	60	FC36212	36212	FC212	195	15	135	48	17	160	19	12	M16	5/8	6.35
	60	FC56212	56212	FC212	195	15	135	48	17	160	19	12	M16	5/8	5.97
	60	FC76212.2RSR	76212.2RSR	FC212	195	15	135	48	17	160	19	12	M16	5/8	5.05
2 3/8	60.325	FC16212.206	16212.206	FC212	195	15	135	48	17	160	19	12	M16	5/8	5.61
	60.325	FC36212.206	36212.206	FC212	195	15	135	48	17	160	19	12	M16	5/8	6.25
	60.325	FC56212.206	56212.206	FC212	195	15	135	48	17	160	19	12	M16	5/8	5.84
2 7/16	61.913	FC16212.207	16212.207	FC212	195	15	135	48	17	160	19	12	M16	5/8	5.53
	61.913	FC36212.207	36212.207	FC212	195	15	135	48	17	160	19	12	M16	5/8	6.23
	61.913	FC56212.207	56212.207	FC212	195	15	135	48	17	160	19	12	M16	5/8	5.76
2 1/2	63.5	FC36213.208	36213.208	FC213	205	15	145	50	16	170	19	14	M16	5/8	7.51
	63.5	FC56213.208	56213.208	FC213	205	15	145	50	16	170	19	14	M16	5/8	6.41
65	65	FC36213	36213	FC213	205	15	145	50	16	170	19	14	M16	5/8	7.41
	65	FC56213	56213	FC213	205	15	145	50	16	170	19	14	M16	5/8	6.33
2 9/16	65.087	FC36213.209	36213.209	FC213	205	15	145	50	16	170	19	14	M16	5/8	7.36
	65.087	FC56213.209	56213.209	FC213	205	15	145	50	16	170	19	14	M16	5/8	6.26
2 5/8	66.675	FC36214.210	36214.210	FC214	215	18	150	54	17	177	19	14	M16	5/8	8.36
	66.675	FC56214.210	56214.210	FC214	215	18	150	54	17	177	19	14	M16	5/8	7.93
2 11/16	68.262	FC36214.211	36214.211	FC214	215	18	150	54	17	177	19	14	M16	5/8	8.35
	68.262	FC56214.211	56214.211	FC214	215	18	150	54	17	177	19	14	M16	5/8	7.83
2 3/4	69.85	FC36214.212	36214.212	FC214	215	18	150	54	17	177	19	14	M16	5/8	8.26
	69.85	FC56214.212	56214.212	FC214	215	18	150	54	17	177	19	14	M16	5/8	7.82

When replacing housings of earlier design the possibility of minor dimensional differences must be taken into account.

FAG S-TYPE BEARING UNITS

Series FC362, FC562

Flanged housings of grey-cast iron



FC362

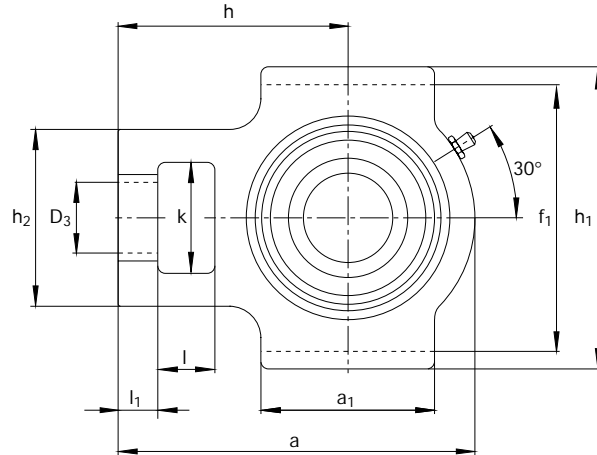
FC562

Shaft	Code		Dimensions					Fastening bolt		Mass ≈ S-type bearing unit kg						
	mm	in	Flanged bearing unit	S-type bearing with locking device	Housing	a	c	D ₂	g		g ₂	m	u	z	s	mm
	mm	FAG	FAG	FAG	FAG	mm	mm	mm	mm	mm	mm	mm	mm	mm	mm	in
70	70	FC36214	36214	FC214	215	18	150	54	17	177	19	14	M16	5/8	8.25	
	70	FC56214	56214	FC214	215	18	150	54	17	177	19	14	M16	5/8	7.72	
2 13/16	71.437	FC36215.213	36215.213	FC215	220	18	160	56	18	184	19	16	M16	5/8	9.27	
	71.437	FC56215.213	56215.213	FC215	220	18	160	56	18	184	19	16	M16	5/8	8.78	
2 7/8	73.025	FC36215.214	36215.214	FC215	220	18	160	56	18	184	19	16	M16	5/8	9.17	
	73.025	FC56215.214	56215.214	FC215	220	18	160	56	18	184	19	16	M16	5/8	8.67	
2 15/16	74.612	FC36215.215	36215.215	FC215	220	18	160	56	18	184	19	16	M16	5/8	9.08	
	74.612	FC56215.215	56215.215	FC215	220	18	160	56	18	184	19	16	M16	5/8	8.56	
75	75	FC36215	36215	FC215	220	18	160	56	18	184	19	16	M16	5/8	9.05	
	75	FC56215	56215	FC215	220	18	160	56	18	184	19	16	M16	5/8	8.53	
3	76.2	FC36215.300	36215.300	FC215	220	18	160	56	18	184	19	16	M16	5/8	8.98	
	76.2	FC56215.300	56215.300	FC215	220	18	160	56	18	184	19	16	M16	5/8	8.44	
3 1/8	79.375	FC36216.302	36216.302	FC216	240	18	170	58	18	200	23	16	M20	3/4	10.7	
	79.375	FC56216.302	56216.302	FC216	240	18	170	58	18	200	23	16	M20	3/4	10.7	
80	80	FC36216	36216	FC216	240	18	170	58	18	200	23	16	M20	3/4	10.7	
	80	FC56216	56216	FC216	240	18	170	58	18	200	23	16	M20	3/4	10.6	
3 1/4	82.55	FC36217.304	36217.304	FC217	250	20	180	63	18	208	23	18	M20	3/4	12.9	
	82.55	FC56217.304	56217.304	FC217	250	20	180	63	18	208	23	18	M20	3/4	11.3	
85	85	FC36217	36217	FC217	250	20	180	63	18	208	23	18	M20	3/4	12.7	
	85	FC56217	56217	FC217	250	20	180	63	18	208	23	18	M20	3/4	12.5	
3 1/2	88.9	FC36218.308	36218.308	FC218	265	20	190	68	22	220	23	18	M20	3/4	15.1	
	88.9	FC56218.308	56218.308	FC218	265	20	190	68	22	220	23	18	M20	3/4	15	
90	90	FC36218	36218	FC218	265	20	190	68	22	220	23	18	M20	3/4	15	
	90	FC56218	56218	FC218	265	20	190	68	22	220	23	18	M20	3/4	14.8	

The **designs** in boldface are most readily available. Information on other designs will be supplied on request.
When replacing housings of earlier design the possibility of minor dimensional differences must be taken into account.

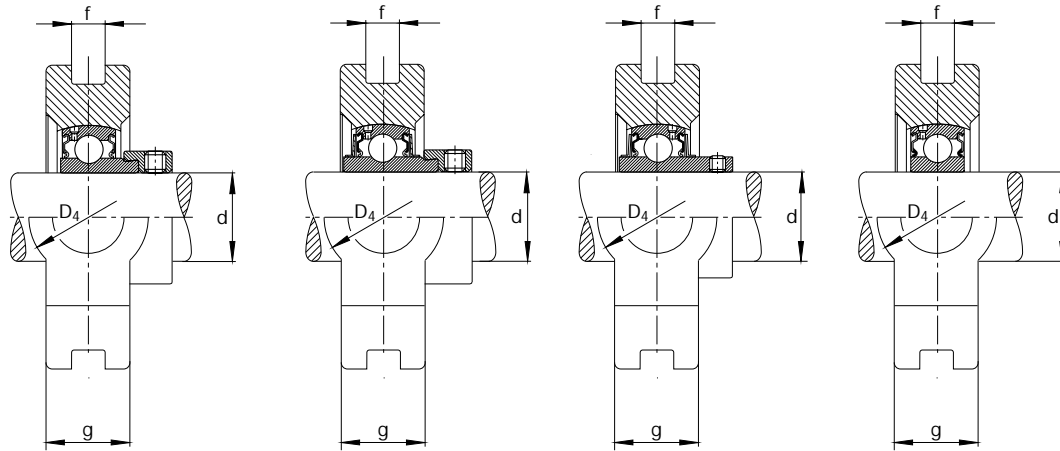
FAG S-TYPE BEARING UNITS

Series T162, T362, T562, T762..2RSR
Take-up unit housings of grey-cast iron



Shaft	Code		Dimensions													Mass ≈ S-type bearing unit kg		
	mm in	mm FAG	Take-up bearing unit FAG	S-type bearing with locking device FAG	Housing FAG	a	a ₁	D ₃	D ₄	f	f ₁	g	h	h ₁	h ₂		k	l
³ / ₄	19.05	T16204.012	16204.012	T204	94	51	19	32	12	76	21	61	89	51	32	16	10	0.884
	19.05	T36204.012	36204.012	T204	94	51	19	32	12	76	21	61	89	51	32	16	10	0.938
	19.05	T56204.012	56204.012	T204	94	51	19	32	12	76	21	61	89	51	32	16	10	0.892
20	20	T16204	16204	T204	94	51	19	32	12	76	21	61	89	51	32	16	10	0.88
	20	T36204	36204	T204	94	51	19	32	12	76	21	61	89	51	32	16	10	0.93
	20	T56204	56204	T204	94	51	19	32	12	76	21	61	89	51	32	16	10	0.87
	20	T76204.2RSR	76204.2RSR	T204	94	51	19	32	12	76	21	61	89	51	32	16	10	0.84
¹³ / ₁₆	20.638	T16205.013	16205.013	T205	97	51	19	32	12	76	24	62	89	51	32	16	10	1.05
	20.638	T36205.013	36205.013	T205	97	51	19	32	12	76	24	62	89	51	32	16	10	1.11
	20.638	T56205.013	56205.013	T205	97	51	19	32	12	76	24	62	89	51	32	16	10	1.04
⁷ / ₈	22.225	T16205.014	16205.014	T205	97	51	19	32	12	76	24	62	89	51	32	16	10	1.04
	22.225	T36205.014	36205.014	T205	97	51	19	32	12	76	24	62	89	51	32	16	10	1.1
	22.225	T56205.014	56205.014	T205	97	51	19	32	12	76	24	62	89	51	32	16	10	1.02
¹⁵ / ₁₆	23.813	T16205.015	16205.015	T205	97	51	19	32	12	76	24	62	89	51	32	16	10	1.03
	23.813	T36205.015	36205.015	T205	97	51	19	32	12	76	24	62	89	51	32	16	10	1.08
	23.813	T56205.015	56205.015	T205	97	51	19	32	12	76	24	62	89	51	32	16	10	1.01
25	25	T16205	16205	T205	97	51	19	32	12	76	24	62	89	51	32	16	10	1.02
	25	T36205	36205	T205	97	51	19	32	12	76	24	62	89	51	32	16	10	1.07
	25	T56205	56205	T205	97	51	19	32	12	76	24	62	89	51	32	16	10	0.99
	25	T76205.2RSR	76205.2RSR	T205	97	51	19	32	12	76	24	62	89	51	32	16	10	0.93
1	25.4	T16205.100	16205.100	T205	97	51	19	32	12	76	24	62	89	51	32	16	10	1.02
	25.4	T36205.100	36205.100	T205	97	51	19	32	12	76	24	62	89	51	32	16	10	1.07
	25.4	T56205.100	56205.100	T205	97	51	19	32	12	76	24	62	89	51	32	16	10	0.99
1 ¹ / ₁₆	26.988	T16206.101	16206.101	T206	113	57	22	37	12	89	28	70	102	56	37	16	10	1.48
	26.988	T36206.101	36206.101	T206	113	57	22	37	12	89	28	70	102	56	37	16	10	1.61
	26.988	T56206.101	56206.101	T206	113	57	22	37	12	89	28	70	102	56	37	16	10	1.5
1 ¹ / ₈	28.575	T16206.102	16206.102	T206	113	57	22	37	12	89	28	70	102	56	37	16	10	1.46
	28.575	T36206.102	36206.102	T206	113	57	22	37	12	89	28	70	102	56	37	16	10	1.59
	28.575	T56206.102	56206.102	T206	113	57	22	37	12	89	28	70	102	56	37	16	10	1.48
30	30	T16206	16206	T206	113	57	22	37	12	89	28	70	102	56	37	16	10	1.45
	30	T36206	36206	T206	113	57	22	37	12	89	28	70	102	56	37	16	10	1.57
	30	T56206	56206	T206	113	57	22	37	12	89	28	70	102	56	37	16	10	1.46
	30	T76206.2RSR	76206.2RSR	T206	113	57	22	37	12	89	28	70	102	56	37	16	10	1.34

The **designs** in boldface are most readily available. Information on other designs will be supplied on request.



T162

T362

T562

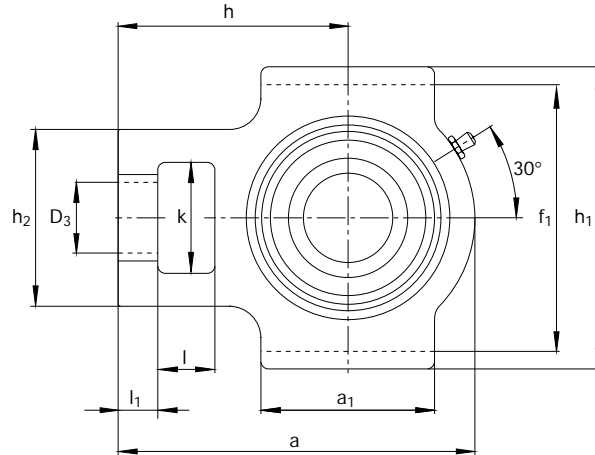
T762...2RSR

Shaft	Code				Dimensions											Mass ≈ S-type bearing unit kg			
	mm	in	Take-up bearing unit FAG	S-type bearing with locking device FAG	Housing FAG	a	a ₁	D ₃	D ₄	f	f ₁	g	h	h ₁	h ₂		k	l	l ₁
1 3/16	30.163		T16206.103	16206.103	T206	113	57	22	37	12	89	28	70	102	56	37	16	10	1.45
	30.163		T36206.103	36206.103	T206	113	57	22	37	12	89	28	70	102	56	37	16	10	1.57
	30.163		T56206.103	56206.103	T206	113	57	22	37	12	89	28	70	102	56	37	16	10	1.46
1 1/4	31.75		T16206.104	16206.104	T206	113	57	22	37	12	89	28	70	102	56	37	16	13	1.43
	31.75		T36206.104	36206.104	T206	113	57	22	37	12	89	28	70	102	56	37	16	13	1.55
	31.75		T56206.104	56206.104	T206	113	57	22	37	12	89	28	70	102	56	37	16	13	1.43
1 1/8	31.75		T16207.104	16207.104	T207	129	64	22	37	12	89	30	78	102	64	37	16	13	1.88
	31.75		T36207.104	36207.104	T207	129	64	22	37	12	89	30	78	102	64	37	16	13	2.04
	31.75		T56207.104	56207.104	T207	129	64	22	37	12	89	30	78	102	64	37	16	13	1.89
1 5/16	33.338		T16207.105	16207.105	T207	129	64	22	37	12	89	30	78	102	64	37	16	13	1.87
	33.338		T36207.105	36207.105	T207	129	64	22	37	12	89	30	78	102	64	37	16	13	2.02
	33.338		T56207.105	56207.105	T207	129	64	22	37	12	89	30	78	102	64	37	16	13	1.86
1 3/8	34.925		T16207.106	16207.106	T207	129	64	22	37	12	89	30	78	102	64	37	16	13	1.85
	34.925		T36207.106	36207.106	T207	129	64	22	37	12	89	30	78	102	64	37	16	13	1.99
	34.925		T56207.106	56207.106	T207	129	64	22	37	12	89	30	78	102	64	37	16	13	1.83
35	35		T16207	16207	T207	129	64	22	37	12	89	30	78	102	64	37	16	13	1.85
	35		T36207	36207	T207	129	64	22	37	12	89	30	78	102	64	37	16	13	1.99
	35		T56207	56207	T207	129	64	22	37	12	89	30	78	102	64	37	16	13	1.82
	35		T76207.2RSR	76207.2RSR	T207	129	64	22	37	12	89	30	78	102	64	37	16	13	1.64
1 7/16	36.513		T16207.107	16207.107	T207	129	64	22	37	12	89	30	78	102	64	37	16	13	1.83
	36.513		T36207.107	36207.107	T207	129	64	22	37	12	89	30	78	102	64	37	16	13	1.96
	36.513		T56207.107	56207.107	T207	129	64	22	37	12	89	30	78	102	64	37	16	13	1.8
1 1/2	38.1		T16208.108	16208.108	T208	144	83	29	49	16	102	33	88	114	83	49	19	16	2.71
	38.1		T36208.108	36208.108	T208	144	83	29	49	16	102	33	88	114	83	49	19	16	2.93
	38.1		T56208.108	56208.108	T208	144	83	29	49	16	102	33	88	114	83	49	19	16	2.69
1 9/16	39.688		T16208.109	16208.109	T208	144	83	29	49	16	102	33	88	114	83	49	19	16	2.68
	39.688		T36208.109	36208.109	T208	144	83	29	49	16	102	33	88	114	83	49	19	16	2.9
	39.688		T56208.109	56208.109	T208	144	83	29	49	16	102	33	88	114	83	49	19	16	2.66
40	40		T16208	16208	T208	144	83	29	49	16	102	33	88	114	83	49	19	16	2.68
	40		T36208	36208	T208	144	83	29	49	16	102	33	88	114	83	49	19	16	2.89
	40		T56208	56208	T208	144	83	29	49	16	102	33	88	114	83	49	19	16	2.66
	40		T76208.2RSR	76208.2RSR	T208	144	83	29	49	16	102	33	88	114	83	49	19	16	2.42

When replacing housings of earlier design the possibility of minor dimensional differences must be taken into account.

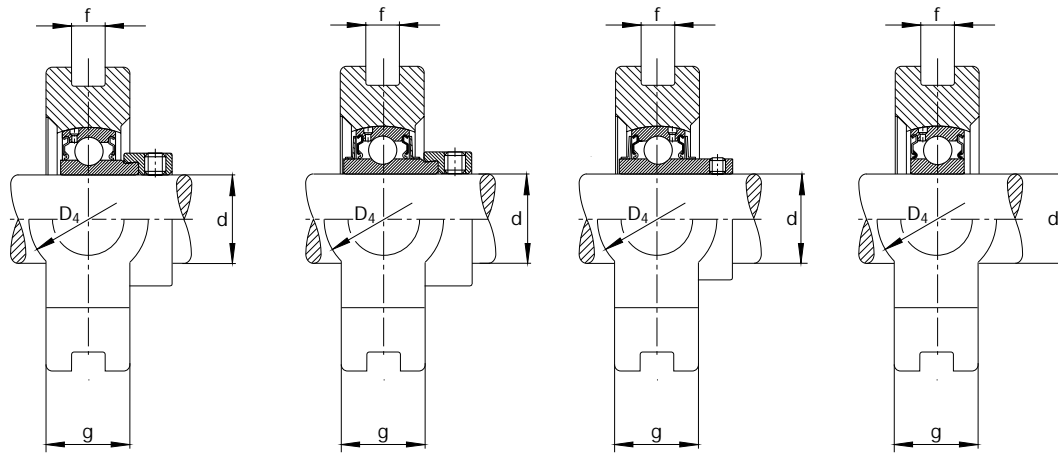
FAG S-TYPE BEARING UNITS

Series T162, T362, T562, T762..2RSR
Take-up unit housings of grey-cast iron



Shaft	Code		Dimensions													Mass ≈ S-type bearing unit kg			
	mm in	mm FAG	Take-up bearing unit FAG	S-type bearing with locking device FAG	Housing FAG	a	a ₁	D ₃	D ₄	f	f ₁	g	h	h ₁	h ₂		k	l	l ₁
1 5/8	41.275	T16209.110		16209.110	T209	144	83	29	49	16	102	35	87	117	83	49	19	16	2.84
	41.275	T36209.110		36209.110	T209	144	83	29	49	16	102	35	87	117	83	49	19	16	3.07
	41.275	T56209.110		56209.110	T209	144	83	29	49	16	102	35	87	117	83	49	19	16	2.94
1 11/16	42.863	T16209.111		16209.111	T209	144	83	29	49	16	102	35	87	117	83	49	19	16	2.82
	42.863	T36209.111		36209.111	T209	144	83	29	49	16	102	35	87	117	83	49	19	16	3.03
	42.863	T56209.111		56209.111	T209	144	83	29	49	16	102	35	87	117	83	49	19	16	2.9
1 3/4	44.45	T16209.112		16209.112	T209	144	83	29	49	16	102	35	87	117	83	49	19	16	2.79
	44.45	T36209.112		36209.112	T209	144	83	29	49	16	102	35	87	117	83	49	19	16	2.99
	44.45	T56209.112		56209.112	T209	144	83	29	49	16	102	35	87	117	83	49	19	16	2.87
45	45	T16209		16209	T209	144	83	29	49	16	102	35	87	117	83	49	19	16	2.78
	45	T36209		36209	T209	144	83	29	49	16	102	35	87	117	83	49	19	16	2.98
	45	T56209		56209	T209	144	83	29	49	16	102	35	87	117	83	49	19	16	2.86
	45	T76209.2RSR		76209.2RSR	T209	144	83	29	49	16	102	35	87	117	83	49	19	16	2.51
1 13/16	46.038	T16210.113		16210.113	T210	149	86	29	49	16	102	37	90	117	83	49	19	16	3.04
	46.038	T36210.113		36210.113	T210	149	86	29	49	16	102	37	90	117	83	49	19	16	3.33
	46.038	T56210.113		56210.113	T210	149	86	29	49	16	102	37	90	117	83	49	19	16	3.12
1 7/8	47.625	T16210.114		16210.114	T210	149	86	29	49	16	102	37	90	117	83	49	19	16	3.01
	47.625	T36210.114		36210.114	T210	149	86	29	49	16	102	37	90	117	83	49	19	16	3.28
	47.625	T56210.114		56210.114	T210	149	86	29	49	16	102	37	90	117	83	49	19	16	3.06
1 15/16	49.213	T16210.115		16210.115	T210	149	86	29	49	16	102	37	90	117	83	49	19	16	2.99
	49.213	T36210.115		36210.115	T210	149	86	29	49	16	102	37	90	117	83	49	19	16	3.23
	49.213	T56210.115		56210.115	T210	149	86	29	49	16	102	37	90	117	83	49	19	16	3.01
50	50	T16210		16210	T210	149	86	29	49	16	102	37	90	117	83	49	19	16	2.97
	50	T36210		36210	T210	149	86	29	49	16	102	37	90	117	83	49	19	16	3.21
	50	T56210		56210	T210	149	86	29	49	16	102	37	90	117	83	49	19	16	2.97
	50	T76210.2RSR		76210.2RSR	T210	149	86	29	49	16	102	37	90	117	83	49	19	16	2.66
2	50.8	T16211.200		16211.200	T211	171	95	35	64	22	130	38	106	146	102	64	25	19	4.41
	50.8	T36211.200		36211.200	T211	171	95	35	64	22	130	38	106	146	102	64	25	19	4.95
	50.8	T56211.200		56211.200	T211	171	95	35	64	22	130	38	106	146	102	64	25	19	4.71
2 1/8	53.975	T16211.202		16211.202	T211	171	95	35	64	22	130	38	106	146	102	64	25	19	4.32
	53.975	T36211.202		36211.202	T211	171	95	35	64	22	130	38	106	146	102	64	25	19	4.9
	53.975	T56211.202		56211.202	T211	171	95	35	64	22	130	38	106	146	102	64	25	19	4.66

The **designs** in boldface are most readily available. Information on other designs will be supplied on request.



T162

T362

T562

T762...2RSR

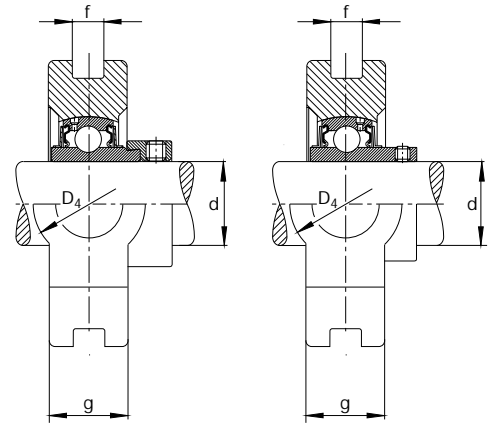
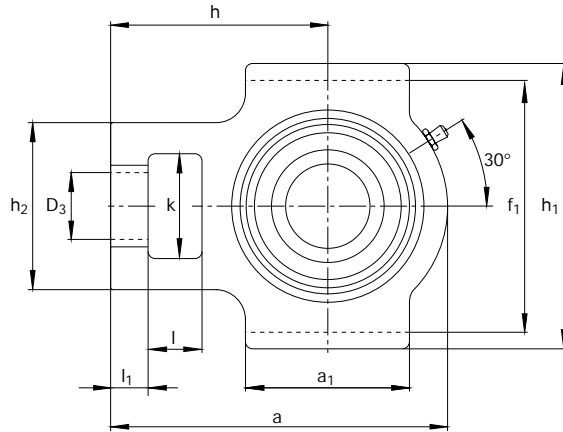
Shaft	Code	Dimensions		Mass ≈ S-type bearing unit kg		
		Take-up bearing unit	S-type bearing Housing with locking device			
mm in	mm FAG	FAG	FAG			
				a a ₁ D ₃ D ₄ f f ₁ g h h ₁ h ₂ k l l ₁		
				mm		
55	55	T16211	16211	T211	171 95 35 64 22 130 38 106 146 102 64 25 19	4.28
	55	T36211	36211	T211	171 95 35 64 22 130 38 106 146 102 64 25 19	4.88
	55	T56211	56211	T211	171 95 35 64 22 130 38 106 146 102 64 25 19	4.64
	55	T76211..2RSR	76211..2RSR	T211	171 95 35 64 22 130 38 106 146 102 64 25 19	4.12
2 3/16	55.563	T16211.203	16211.203	T211	171 95 35 64 22 130 38 106 146 102 64 25 19	4.26
	55.563	T36211.203	36211.203	T211	171 95 35 64 22 130 38 106 146 102 64 25 19	4.4
	55.563	T56211.203	56211.203	T211	171 95 35 64 22 130 38 106 146 102 64 25 19	4.61
2 1/4	57.15	T16212.204	16212.204	T212	194 102 35 64 22 130 42 119 146 102 64 32 19	5.35
	57.15	T36212.204	36212.204	T212	194 102 35 64 22 130 42 119 146 102 64 32 19	6.05
	57.15	T56212.204	56212.204	T212	194 102 35 64 22 130 42 119 146 102 64 32 19	5.64
60	60	T16212	16212	T212	194 102 35 64 22 130 42 119 146 102 64 32 19	5.22
	60	T36212	36212	T212	194 102 35 64 22 130 42 119 146 102 64 32 19	5.95
	60	T56212	56212	T212	194 102 35 64 22 130 42 119 146 102 64 32 19	5.57
	60	T76212..2RSR	76212..2RSR	T212	194 102 35 64 22 130 42 119 146 102 64 32 19	4.65
2 3/8	60.325	T16212.206	16212.206	T212	194 102 35 64 22 130 42 119 146 102 64 32 19	5.21
	60.325	T36212.206	36212.206	T212	194 102 35 64 22 130 42 119 146 102 64 32 19	5.85
	60.325	T56212.206	56212.206	T212	194 102 35 64 22 130 42 119 146 102 64 32 19	5.44
2 7/16	61.913	T16212.207	16212.207	T212	194 102 35 64 22 130 42 119 146 102 64 32 19	5.13
	61.913	T36212.207	36212.207	T212	194 102 35 64 22 130 42 119 146 102 64 32 19	5.83
	61.913	T56212.207	56212.207	T212	194 102 35 64 22 130 42 119 146 102 64 32 19	5.36
2 1/2	63.5	T36213.208	36213.208	T213	224 121 41 70 26 151 44 137 167 111 70 32 21	8.61
	63.5	T56213.208	56213.208	T213	224 121 41 70 26 151 44 137 167 111 70 32 21	7.51
65	65	T36213	36213	T213	224 121 41 70 26 151 44 137 167 111 70 32 21	8.51
	65	T56213	56213	T213	224 121 41 70 26 151 44 137 167 111 70 32 21	7.43
2 9/16	65.087	T36213.209	36213.209	T213	224 121 41 70 26 151 44 137 167 111 70 32 21	8.46
	65.087	T56213.209	56213.209	T213	224 121 41 70 26 151 44 137 167 111 70 32 21	7.36
2 5/8	66.675	T36214.210	36214.210	T214	224 121 41 70 26 151 46 137 167 111 70 32 21	8.16
	66.675	T56214.210	56214.210	T214	224 121 41 70 26 151 46 137 167 111 70 32 21	7.73
2 11/16	68.262	T36214.211	36214.211	T214	224 121 41 70 26 151 46 137 167 111 70 32 21	8.15
	68.262	T56214.211	56214.211	T214	224 121 41 70 26 151 46 137 167 111 70 32 21	7.63
2 3/4	69.85	T36214.212	36214.212	T214	224 121 41 70 26 151 46 137 167 111 70 32 21	8.06
	69.85	T56214.212	56214.212	T214	224 121 41 70 26 151 46 137 167 111 70 32 21	7.62

When replacing housings of earlier design the possibility of minor dimensional differences must be taken into account.

FAG S-TYPE BEARING UNITS

Series T362, T562

Take-up unit housings of grey-cast iron



T362

T562

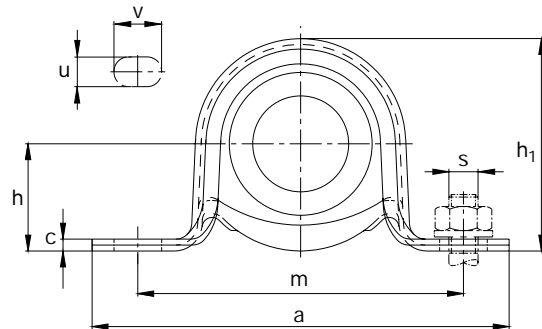
Shaft	Code		Dimensions													Mass ≈ S-type bearing unit kg		
	Take-up bearing unit	S-type bearing with locking device	Housing	a	a ₁	D ₃	D ₄	f	f ₁	g	h	h ₁	h ₂	k	l		l ₁	
mm in	mm FAG	FAG	FAG	mm	mm	mm	mm	mm	mm	mm	mm	mm	mm	mm	mm	mm	mm	
70	70	T36214	36214	T214	224	121	41	70	26	151	46	137	167	111	70	32	21	8.05
	70	T56214	56214	T214	224	121	41	70	26	151	46	137	167	111	70	32	21	7.52
2 ¹³ / ₁₆	71.437	T36215.213	36215.213	T215	232	121	41	70	26	151	48	140	167	111	70	32	21	8.97
	71.437	T56215.213	56215.213	T215	232	121	41	70	26	151	48	140	167	111	70	32	21	8.48
2 ⁷ / ₈	73.025	T36215.214	36215.214	T215	232	121	41	70	26	151	48	140	167	111	70	32	21	8.87
	73.025	T56215.214	56215.214	T215	232	121	41	70	26	151	48	140	167	111	70	32	21	8.37
2 ¹⁵ / ₁₆	74.612	T36215.215	36215.215	T215	232	121	41	70	26	151	48	140	167	111	70	32	21	8.78
	74.612	T56215.215	56215.215	T215	232	121	41	70	26	151	48	140	167	111	70	32	21	8.26
75	75	T36215	36215	T215	232	121	41	70	26	151	48	140	167	111	70	32	21	8.75
	75	T56215	56215	T215	232	121	41	70	26	151	48	140	167	111	70	32	21	8.23
3	76.2	T36215.300	36215.300	T215	232	121	41	70	26	151	48	140	167	111	70	32	21	8.68
	76.2	T56215.300	56215.300	T215	232	121	41	70	26	151	48	140	167	111	70	32	21	8.14
3 ¹ / ₈	79.375	T36216.302	36216.302	T216	235	121	41	70	26	165	51	140	184	111	70	32	21	9.5
	79.375	T56216.302	56216.302	T216	235	121	41	70	26	165	51	140	184	111	70	32	21	11.1
80	80	T36216	36216	T216	235	121	41	70	26	165	51	140	184	111	70	32	21	9.45
	80	T56216	56216	T216	235	121	41	70	26	165	51	140	184	111	70	32	21	9.4
3 ¹ / ₄	82.55	T36217.304	36217.304	T217	260	157	48	73	30	173	54	162	198	124	73	38	29	12.4
	82.55	T56217.304	56217.304	T217	260	157	48	73	30	173	54	162	198	124	73	38	29	12.1
85	85	T36217	36217	T217	260	157	48	73	30	173	54	162	198	124	73	38	29	12.2
	85	T56217	56217	T217	260	157	48	73	30	173	54	162	198	124	73	38	29	12
3 ¹ / ₂	88.9	T36218.308	36218.308	T218	275	140	47	80	28	190	55	170	215	130	80	40	30	16.4
	88.9	T56218.308	56218.308	T218	275	140	47	80	28	190	55	170	215	130	80	40	30	16.3
90	90	T36218	36218	T218	275	140	47	80	28	190	55	170	215	130	80	40	30	16.3
	90	T56218	56218	T218	275	140	47	80	28	190	55	170	215	130	80	40	30	16.1

The **designs** in boldface are most readily available. Information on other designs will be supplied on request.
When replacing housings of earlier design the possibility of minor dimensional differences must be taken into account.

FAG PRESSED STEEL S-TYPE HOUSINGS

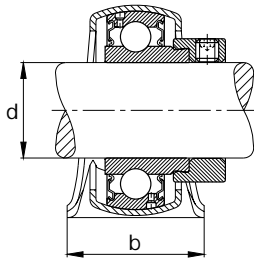
Plummer block housings of series SB2
for combination with S-type bearings of series 162 and 762..2RSR

Permissible loads, page 14

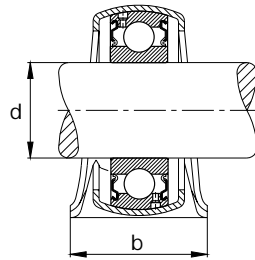


Shaft	Code		S-type bearing with locking device FAG	Dimensions						Fastening bolt		Mass ≈ S-type bearing and housing kg		
	Housing FAG			a max mm	b max	c max	h	h ₁	m ±0,4	u	v		s	mm
12	12	SB203	16203/12	87	26	4	22.2	43.8	68	8.7	12.7	M8	5/16	0.185
	1/2	SB203	16203.008	87	26	4	22.2	43.8	68	8.7	12.7	M8	5/16	0.183
	9/16	SB203	16203.009	87	26	4	22.2	43.8	68	8.7	12.7	M8	5/16	0.178
15	15	SB203	16203/15	87	26	4	22.2	43.8	68	8.7	12.7	M8	5/16	0.175
	5/8	SB203	16203.010	87	26	4	22.2	43.8	68	8.7	12.7	M8	5/16	0.172
17	17	SB203	16203	87	26	4	22.2	43.8	68	8.7	12.7	M8	5/16	0.155
	17	SB203	76203.2RSR	87	26	4	22.2	43.8	68	8.7	12.7	M8	5/16	0.119
	11/16	SB203	16203.011	87	26	4	22.2	43.8	68	8.7	12.7	M8	5/16	0.146
	3/4	SB204	16204.012	99	33	4	25.4	50.5	76	10.3	12.7	M8	3/8	0.229
20	20	SB204	16204	99	33	4	25.4	50.5	76	10.3	12.7	M8	3/8	0.225
	20	SB204	76204.2RSR	99	33	4	25.4	50.5	76	10.3	12.7	M8	3/8	0.181
	13/16	SB205	16205.013	109	33	4.5	28.6	56.6	86	10.3	14.3	M8	3/8	0.356
	7/8	SB205	16205.014	109	33	4.5	28.6	56.6	86	10.3	14.3	M8	3/8	0.347
	15/16	SB205	16205.015	109	33	4.5	28.6	56.6	86	10.3	14.3	M8	3/8	0.338
25	25	SB205	16205	109	33	4.5	28.6	56.6	86	10.3	14.3	M8	3/8	0.33
	25	SB205	76205.2RSR	109	33	4.5	28.6	56.6	86	10.3	14.3	M8	3/8	0.238
	1	SB205	16205.100	109	33	4.5	28.6	56.6	86	10.3	14.3	M8	3/8	0.327
	1 1/16	SB206	16206.101	119	39	4.5	33.3	66.3	95	10.3	14.3	M8	3/8	0.495
	1 1/8	SB206	16206.102	119	39	4.5	33.3	66.3	95	10.3	14.3	M8	3/8	0.482
30	30	SB206	16206	119	39	4.5	33.3	66.3	95	10.3	14.3	M8	3/8	0.47
	30	SB206	76206.2RSR	119	39	4.5	33.3	66.3	95	10.3	14.3	M8	3/8	0.363
	1 3/16	SB206	16206.103	119	39	4.5	33.3	66.3	95	10.3	14.3	M8	3/8	0.469
	1 1/4	SB206	16206.104	119	39	4.5	33.3	66.3	95	10.3	14.3	M8	3/8	0.454
	31.75	SB207	16207.104	130	43	5	39.7	78	106	13.5	19	M10	1/2	0.814

The **designs** in boldface are most readily available. Information on other designs will be supplied on request.
FAG S-type housings of pressed steel and FAG S-type bearings are not supplied as a unit and must, therefore, be ordered separately.



SB2
combined with 162



SB2
combined with 762..2RSR

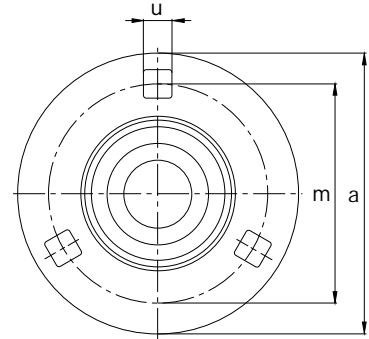
Shaft	Code		S-type bearing with locking device FAG	Dimensions								Fastening bolt		Mass ≈ S-type bearing and housing kg
	Housing mm	FAG		a max mm	b max	c max	h	h ₁	m ±0,4	u	v	s mm	in	
1 5/16	33.338	SB207	16207.105	130	43	5	39.7	78	106	13.5	19	M12	1/2	0.798
1 3/8	34.925	SB207	16207.106	130	43	5	39.7	78	106	13.5	19	M12	1/2	0.781
35	35	SB207	16207	130	43	5	39.7	78	106	13.5	19	M12	1/2	0.78
	35	SB207	76207.2RSR	130	43	5	39.7	78	106	13.5	19	M12	1/2	0.568
1 7/16	36.513	SB207	16207.107	130	43	5	39.7	78	106	13.5	19	M12	1/2	0.763

When replacing housings of earlier design the possibility of minor dimensional differences must be taken into account.

FAG PRESSED STEEL S-TYPE HOUSINGS

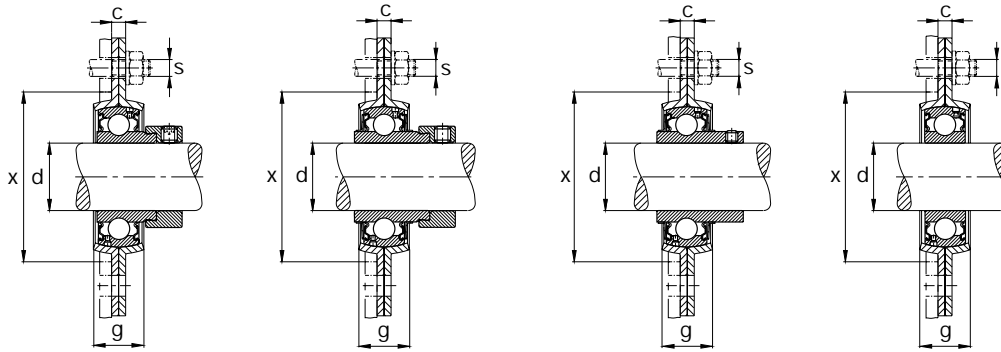
Flanged housings of series FB2
for combination with S-type bearings of series 162, 362, 562 and 762..2RSR

Permissible loads, page 14



Shaft	Code		S-type bearing with locking device FAG	Dimensions						Fastening bolt		Mass ≈ S-type bearing and housing kg
	Housing	FAG		a max mm	c max	g max	m ±0,4	u ±0,6	x min	s		
mm in	mm									mm	in	
12	12	FB203	16203/12	82	4.5	15	63.5	7.1	50	M6	1/4	0.26
	1/2	FB203	16203.008	82	4.5	15	63.5	7.1	50	M6	1/4	0.258
	9/16	FB203	16203.009	82	4.5	15	63.5	7.1	50	M6	1/4	0.253
15	15	FB203	16203/15	82	4.5	15	63.5	7.1	50	M6	1/4	0.383
	5/8	FB203	16203.010	82	4.5	15	63.5	7.1	50	M6	1/4	0.247
17	17	FB203	16203	82	4.5	15	63.5	7.1	50	M6	1/4	0.23
	17	FB203	76203.2RSR	82	4.5	15	63.5	7.1	50	M6	1/4	0.194
	11/16	FB203	16203.011	82	4.5	15	63.5	7.1	50	M6	1/4	0.221
	3/4	FB204	16204.012	91	4.5	17	71.5	9	57	M8	5/16	0.319
20	19.05	FB204	36204.012	91	4.5	17	71.5	9	57	M8	5/16	0.373
	19.05	FB204	56204.012	91	4.5	17	71.5	9	57	M8	5/16	0.327
	20	FB204	16204	91	4.5	17	71.5	9	57	M8	5/16	0.315
	20	FB204	36204	91	4.5	17	71.5	9	57	M8	5/16	0.365
	20	FB204	56204	91	4.5	17	71.5	9	57	M8	5/16	0.305
	20	FB204	76204.2RSR	91	4.5	17	71.5	9	57	M8	5/16	0.271
	13/16	FB205	16205.013	96	4.5	19	76	9	62	M8	5/16	0.426
		FB205	36205.013	96	4.5	19	76	9	62	M8	5/16	0.493
		FB205	56205.013	96	4.5	19	76	9	62	M8	5/16	0.418
	7/8	FB205	16205.014	96	4.5	19	76	9	62	M8	5/16	0.417
25	22.225	FB205	36205.014	96	4.5	19	76	9	62	M8	5/16	0.478
	22.225	FB205	56205.014	96	4.5	19	76	9	62	M8	5/16	0.403
	23.813	FB205	16205.015	96	4.5	19	76	9	62	M8	5/16	0.408
25	23.813	FB205	36205.015	96	4.5	19	76	9	62	M8	5/16	0.462
	23.813	FB205	56205.015	96	4.5	19	76	9	62	M8	5/16	0.388
	25	FB205	16205	96	4.5	19	76	9	62	M8	5/16	0.4
	25	FB205	36205	96	4.5	19	76	9	62	M8	5/16	0.45
	FB205	56205	96	4.5	19	76	9	62	M8	5/16	0.37	
	FB205	76205.2RSR	96	4.5	19	76	9	62	M8	5/16	0.308	

The **designs** in boldface are most readily available. Information on other designs will be supplied on request.
FAG S-type housings of pressed steel and FAG S-type bearings are not supplied as a unit and must, therefore, be ordered separately.



FB2
combined with 162

FB2
combined with 362

FB2
combined with 562

FB2
combined with 762..2RSR

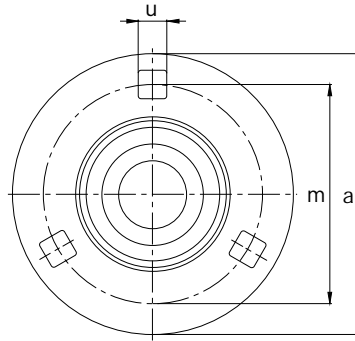
Shaft	Code		S-type bearing with locking device FAG	Dimensions					Fastening bolt		Mass ≈ S-type bearing and housing kg	
	Housing FAG	S-type bearing with locking device FAG		a max mm	c max	g max	m ±0,4	u ±0,6	x min	s mm		s in
mm in	mm	FAG	FAG							mm	in	
1	25.4	FB205	16205.100	96	4.5	19	76	9	62	M8	5/16	0.397
	25.4	FB205	36205.100	96	4.5	19	76	9	62	M8	5/16	0.445
	25.4	FB205	56205.100	96	4.5	19	76	9	62	M8	5/16	0.368
1 1/16	26.988	FB206	16206.101	114	5.5	20	90.5	11	73	M8	3/8	0.625
	26.988	FB206	36206.101	114	5.5	20	90.5	11	73	M8	3/8	0.759
	26.988	FB206	56206.101	114	5.5	20	90.5	11	73	M8	3/8	0.652
1 1/8	28.575	FB206	16206.102	114	5.5	20	90.5	11	73	M8	3/8	0.612
	28.575	FB206	36206.102	114	5.5	20	90.5	11	73	M8	3/8	0.739
	28.575	FB206	56206.102	114	5.5	20	90.5	11	73	M8	3/8	0.631
30	30	FB206	16206	114	5.5	20	90.5	11	73	M8	3/8	0.6
	30	FB206	36206	114	5.5	20	90.5	11	73	M8	3/8	0.72
	30	FB206	56206	114	5.5	20	90.5	11	73	M8	3/8	0.61
	30	FB206	76206.2RSR	114	5.5	20	90.5	11	73	M8	3/8	0.493
1 3/16	30.163	FB206	16206.103	114	5.5	20	90.5	11	73	M8	3/8	0.599
	30.163	FB206	36206.103	114	5.5	20	90.5	11	73	M8	3/8	0.718
	30.163	FB206	56206.103	114	5.5	20	90.5	11	73	M8	3/8	0.608
1 1/4	31.75	FB206	16206.104	114	5.5	20	90.5	11	73	M8	3/8	0.584
	31.75	FB206	36206.104	114	5.5	20	90.5	11	73	M8	3/8	0.696
	31.75	FB206	56206.104	114	5.5	20	90.5	11	73	M8	3/8	0.584
1 5/16	31.75	FB207	16207.104	127	5.5	23	100	11	83	M8	3/8	0.871
	31.75	FB207	36207.104	127	5.5	23	100	11	83	M8	3/8	1.03
	31.75	FB207	56207.104	127	5.5	23	100	11	83	M8	3/8	0.876
1 5/8	33.338	FB207	16207.105	127	5.5	23	100	11	83	M8	3/8	0.855
	33.338	FB207	36207.105	127	5.5	23	100	11	83	M8	3/8	1
	33.338	FB207	56207.105	127	5.5	23	100	11	83	M8	3/8	0.849
1 3/8	34.925	FB207	16207.106	127	5.5	23	100	11	83	M8	3/8	0.838
	34.925	FB207	36207.106	127	5.5	23	100	11	83	M8	3/8	0.978
	34.925	FB207	56207.106	127	5.5	23	100	11	83	M8	3/8	0.82
35	35	FB207	16207	127	5.5	23	100	11	83	M8	3/8	0.837
	35	FB207	36207	127	5.5	23	100	11	83	M8	3/8	0.977
	35	FB207	56207	127	5.5	23	100	11	83	M8	3/8	0.807
	35	FB207	76207.2RSR	127	5.5	23	100	11	83	M8	3/8	0.625

When replacing housings of earlier design the possibility of minor dimensional differences must be taken into account.

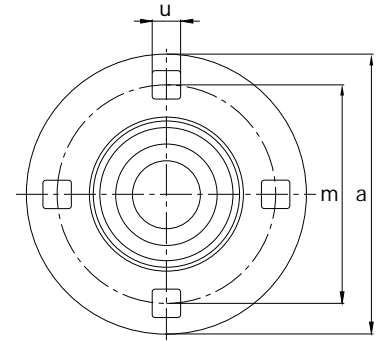
FAG PRESSED STEEL S-TYPE HOUSINGS

Flanged housings of series FB2
for combination with S-type bearings of series
162, 362, 562 and 762..2RSR

Permissible loads, page 14



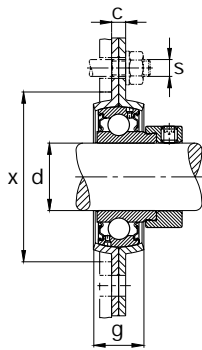
up to FB207



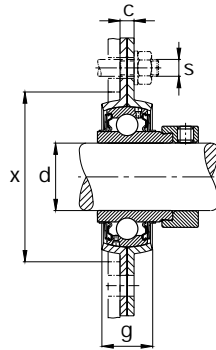
from FB208

Shaft	Code		S-type bearing with locking device FAG	Dimensions						Fastening bolt		Mass ≈ S-type bearing and housing kg
	Housing	FAG		a max mm	c max	g max	m ±0,4	u ±0,6	x min	s		
mm in	mm									mm	in	
1 7/16	36.513	FB207	16207.107	127	5.5	23	100	11	83	M8	3/8	0.82
	36.513	FB207	36207.107	127	5.5	23	100	11	83	M8	3/8	0.952
	36.513	FB207	56207.107	127	5.5	23	100	11	83	M8	3/8	0.79
1 1/2	38.1	FB208	16208.108	149	7	23	119	13.5	93	M12	1/2	1.07
	38.1	FB208	36208.108	149	7	23	119	13.5	93	M12	1/2	1.29
	38.1	FB208	56208.108	149	7	23	119	13.5	93	M12	1/2	1.05
1 9/16	39.688	FB208	16208.109	149	7	23	119	13.5	93	M12	1/2	1.04
	39.688	FB208	36208.109	149	7	23	119	13.5	93	M12	1/2	1.26
	39.688	FB208	56208.109	149	7	23	119	13.5	93	M12	1/2	1.02
40	40	FB208	16208	149	7	23	119	13.5	93	M12	1/2	1.04
	40	FB208	36208	149	7	23	119	13.5	93	M12	1/2	1.25
	40	FB208	56208	149	7	23	119	13.5	93	M12	1/2	1.02
	40	FB208	76208.2RSR	149	7	23	119	13.5	93	M12	1/2	0.776
1 5/8	41.275	FB209	16209.110	150	7	23	120.5	13.5	100	M12	1/2	1.42
	41.275	FB209	36209.110	150	7	23	120.5	13.5	100	M12	1/2	1.65
	41.275	FB209	56209.110	150	7	23	120.5	13.5	100	M12	1/2	1.52
1 11/16	42.863	FB209	16209.111	150	7	23	120.5	13.5	100	M12	1/2	1.4
	42.863	FB209	36209.111	150	7	23	120.5	13.5	100	M12	1/2	1.61
	42.863	FB209	56209.111	150	7	23	120.5	13.5	100	M12	1/2	1.48
1 3/4	44.45	FB209	16209.112	150	7	23	120.5	13.5	100	M12	1/2	1.37
	44.45	FB209	36209.112	150	7	23	120.5	13.5	100	M12	1/2	1.57
	44.45	FB209	56209.112	150	7	23	120.5	13.5	100	M12	1/2	1.45
45	45	FB209	16209	150	7	23	120.5	13.5	100	M12	1/2	1.36
	45	FB209	36209	150	7	23	120.5	13.5	100	M12	1/2	1.56
	45	FB209	56209	150	7	23	120.5	13.5	100	M12	1/2	1.44
	45	FB209	76209.2RSR	150	7	23	120.5	13.5	100	M12	1/2	1.09
1 13/16	46.038	FB210	16210.113	157	8	25	127	13.5	105	M12	1/2	1.65
	46.038	FB210	36210.113	157	8	25	127	13.5	105	M12	1/2	1.94
	46.038	FB210	56210.113	157	8	25	127	13.5	105	M12	1/2	1.72
1 7/8	47.625	FB210	16210.114	157	8	25	127	13.5	105	M12	1/2	1.62
	47.625	FB210	36210.114	157	8	25	127	13.5	105	M12	1/2	1.89
	47.625	FB210	56210.114	157	8	25	127	13.5	105	M12	1/2	1.67

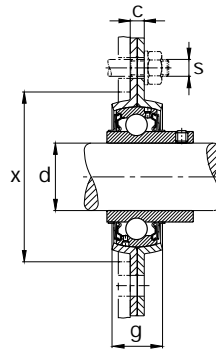
The **designs** in boldface are most readily available. Information on other designs will be supplied on request.
FAG S-type housings of pressed steel and FAG S-type bearings are not supplied as a unit and must, therefore, be ordered separately.



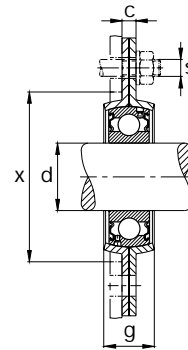
FB2
combined with 162



FB2
combined with 362



FB2
combined with 562



FB2
combined with 762..2RSR

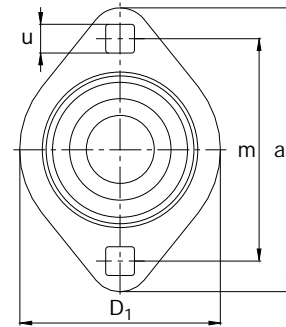
Shaft	Code		S-type bearing with locking device FAG	Dimensions					Fastening bolt		Mass ≈ S-type bearing and housing kg	
	Housing	FAG		a max mm	c max	g max	m ±0,4	u ±0,6	x min	s mm in		
mm in	mm											
1 15/16	49.213	FB210	16210.115	157	8	25	127	13.5	105	M12	1/2	1.6
	49.213	FB210	36210.115	157	8	25	127	13.5	105	M12	1/2	1.84
	49.213	FB210	56210.115	157	8	25	127	13.5	105	M12	1/2	1.62
50	50	FB210	16210	157	8	25	127	13.5	105	M12	1/2	1.58
	50	FB210	36210	157	8	25	127	13.5	105	M12	1/2	1.82
	50	FB210	56210	157	8	25	127	13.5	105	M12	1/2	1.58
	50	FB210	76210.2RSR	157	8	25	127	13.5	105	M12	1/2	1.27

When replacing housings of earlier design the possibility of minor dimensional differences must be taken into account.

FAG PRESSED STEEL S-TYPE HOUSINGS

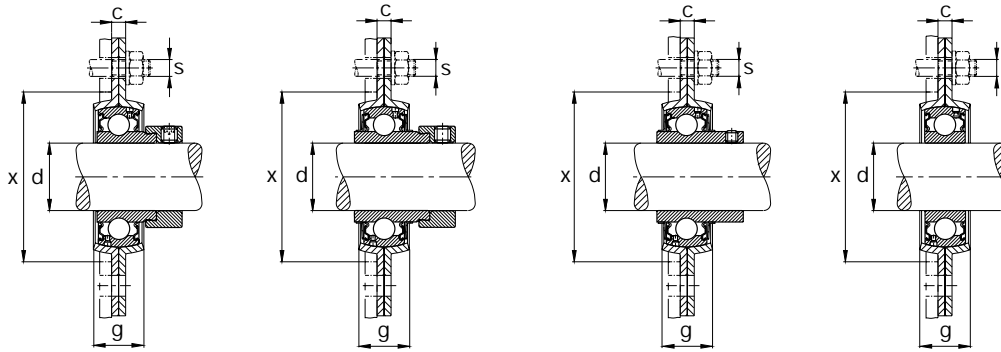
Flanged housings of series FBB2
for combination with S-type bearings of series 162, 362, 562 and 762..2RSR

Permissible loads, page 14



Shaft	Code		S-type bearing with locking device FAG	Dimensions							Fastening bolt		Mass ≈ S-type bearing and housing kg	
	Housing	FAG		a max mm	c max	D ₁ max	g max	m ±0,4	u ±0,6	x min	s	mm		in
12	12	FBB203	16203/12	82	4.5	60	15	63.5	7.1	50	M6	1/4	0.2	
	1/2	12.7	FBB203	16203.008	82	4.5	60	15	63.5	7.1	50	M6	1/4	0.198
	9/16	14.288	FBB203	16203.009	82	4.5	60	15	63.5	7.1	50	M6	1/4	0.193
15	15	FBB203	16203/15	82	4.5	60	15	63.5	7.1	50	M6	1/4	0.19	
	5/8	15.875	FBB203	16203.010	82	4.5	60	15	63.5	7.1	50	M6	1/4	0.187
17	17	FBB203	16203	82	4.5	60	15	63.5	7.1	50	M6	1/4	0.17	
	17	FBB203	76203.2RSR	82	4.5	60	15	63.5	7.1	50	M6	1/4	0.134	
	11/16	17.463	FBB203	16203.011	82	4.5	60	15	63.5	7.1	50	M6	1/4	0.161
	3/4	19.05	FBB204	16204.012	91	4.5	68	17	71.5	9	57	M8	5/16	0.244
20	19.05	FBB204	36204.012	91	4.5	68	17	71.5	9	57	M8	5/16	0.298	
	19.05	FBB204	56204.012	91	4.5	68	17	71.5	9	57	M8	5/16	0.252	
	20	FBB204	16204	91	4.5	68	17	71.5	9	57	M8	5/16	0.24	
	20	FBB204	36204	91	4.5	68	17	71.5	9	57	M8	5/16	0.29	
	20	FBB204	56204	91	4.5	68	17	71.5	9	57	M8	5/16	0.23	
	20	FBB204	76204.2RSR	91	4.5	68	17	71.5	9	57	M8	5/16	0.196	
	13/16	20.638	FBB205	16205.013	96	4.5	72	19	76	9	62	M8	5/16	0.346
	20.638	FBB205	36205.013	96	4.5	72	19	76	9	62	M8	5/16	0.413	
	20.638	FBB205	56205.013	96	4.5	72	19	76	9	62	M8	5/16	0.338	
	7/8	22.225	FBB205	16205.014	96	4.5	72	19	76	9	62	M8	5/16	0.337
15/16	22.225	FBB205	36205.014	96	4.5	72	19	76	9	62	M8	5/16	0.398	
	22.225	FBB205	56205.014	96	4.5	72	19	76	9	62	M8	5/16	0.323	
	23.813	FBB205	16205.015	96	4.5	72	19	76	9	62	M8	5/16	0.328	
25	23.813	FBB205	36205.015	96	4.5	72	19	76	9	62	M8	5/16	0.382	
	23.813	FBB205	56205.015	96	4.5	72	19	76	9	62	M8	5/16	0.308	
	25	FBB205	16205	96	4.5	72	19	76	9	62	M8	5/16	0.32	
	25	FBB205	36205	96	4.5	72	19	76	9	62	M8	5/16	0.37	
	25	FBB205	56205	96	4.5	72	19	76	9	62	M8	5/16	0.29	
25	FBB205	76205.2RSR	96	4.5	72	19	76	9	62	M8	5/16	0.228		

The **designs** in boldface are most readily available. Information on other designs will be supplied on request.
FAG S-type housings of pressed steel and FAG S-type bearings are not supplied as a unit and must, therefore, be ordered separately.



FBB2
combined with 162

FBB2
combined with 362

FBB2
combined with 562

FBB2
combined with 762..2RSR

Shaft	Code		S-type bearing with locking device FAG	Dimensions						Fastening bolt		Mass ≈ S-type bearing and housing kg	
	Housing FAG	S-type bearing with locking device FAG		a max mm	c max	D ₁ max	g max	m ±0,4	u ±0,6	x min	s mm in		
mm in	mm	FAG	FAG	mm	mm	mm	mm	mm	mm	mm	mm	in	kg
1	25.4	FBB205	16205.100	96	4.5	72	19	76	9	62	M8	5/16	0.317
	25.4	FBB205	36205.100	96	4.5	72	19	76	9	62	M8	5/16	0.365
	25.4	FBB205	56205.100	96	4.5	72	19	76	9	62	M8	5/16	0.288
1 1/16	26.988	FBB206	16206.101	114	5.5	85	20	90.5	11	73	M8	3/8	0.485
	26.988	FBB206	36206.101	114	5.5	85	20	90.5	11	73	M8	3/8	0.619
	26.988	FBB206	56206.101	114	5.5	85	20	90.5	11	73	M8	3/8	0.512
1 1/8	28.575	FBB206	16206.102	114	5.5	85	20	90.5	11	73	M8	3/8	0.472
	28.575	FBB206	36206.102	114	5.5	85	20	90.5	11	73	M8	3/8	0.599
	28.575	FBB206	56206.102	114	5.5	85	20	90.5	11	73	M8	3/8	0.491
30	30	FBB206	16206	114	5.5	85	20	90.5	11	73	M8	3/8	0.46
	30	FBB206	36206	114	5.5	85	20	90.5	11	73	M8	3/8	0.58
	30	FBB206	56206	114	5.5	85	20	90.5	11	73	M8	3/8	0.47
	30	FBB206	76206.2RSR	114	5.5	85	20	90.5	11	73	M8	3/8	0.353
1 3/16	30.163	FBB206	16206.103	114	5.5	85	20	90.5	11	73	M8	3/8	0.459
	30.163	FBB206	36206.103	114	5.5	85	20	90.5	11	73	M8	3/8	0.578
	30.163	FBB206	56206.103	114	5.5	85	20	90.5	11	73	M8	3/8	0.468
1 1/4	31.75	FBB206	16206.104	114	5.5	85	20	90.5	11	73	M8	3/8	0.444
	31.75	FBB206	36206.104	114	5.5	85	20	90.5	11	73	M8	3/8	0.556
	31.75	FBB206	56206.104	114	5.5	85	20	90.5	11	73	M8	3/8	0.444
35	31.75	FBB207	16207.104	127	5.5	95	23	100	11	83	M8	3/8	0.734
	31.75	FBB207	36207.104	127	5.5	95	23	100	11	83	M8	3/8	0.89
	31.75	FBB207	56207.104	127	5.5	95	23	100	11	83	M8	3/8	0.739
1 5/16	33.338	FBB207	16207.105	127	5.5	95	23	100	11	83	M8	3/8	0.718
	33.338	FBB207	36207.105	127	5.5	95	23	100	11	83	M8	3/8	0.866
	33.338	FBB207	56207.105	127	5.5	95	23	100	11	83	M8	3/8	0.712
1 3/8	34.925	FBB207	16207.106	127	5.5	95	23	100	11	83	M8	3/8	0.701
	34.925	FBB207	36207.106	127	5.5	95	23	100	11	83	M8	3/8	0.841
	34.925	FBB207	56207.106	127	5.5	95	23	100	11	83	M8	3/8	0.683
35	35	FBB207	16207	127	5.5	95	23	100	11	83	M8	3/8	0.7
	35	FBB207	36207	127	5.5	95	23	100	11	83	M8	3/8	0.84
	35	FBB207	56207	127	5.5	95	23	100	11	83	M8	3/8	0.67
	35	FBB207	76207.2RSR	127	5.5	95	23	100	11	83	M8	3/8	0.488
1 7/16	36.513	FBB207	16207.107	127	5.5	95	23	100	11	83	M8	3/8	0.683
	36.513	FBB207	36207.107	127	5.5	95	23	100	11	83	M8	3/8	0.815
	36.513	FBB207	56207.107	127	5.5	95	23	100	11	83	M8	3/8	0.653

When replacing housings of earlier design the possibility of minor dimensional differences must be taken into account.

NOTES

FAG OEM und Handel
Aktiengesellschaft

Postfach 1260
D-97419 Schweinfurt
Georg-Schäfer-Straße 30
D-97421 Schweinfurt
Telephone +49 97 21 91 38 58
Telefax +49 97 21 91 34 40
www.fag.de

Every care has been taken to ensure the correctness of the information contained in this publication but no liability can be accepted for any errors or omissions. We reserve the right to make changes in the interest of technical progress.
© by FAG 2000. This publication or parts thereof may not be reproduced without our permission.