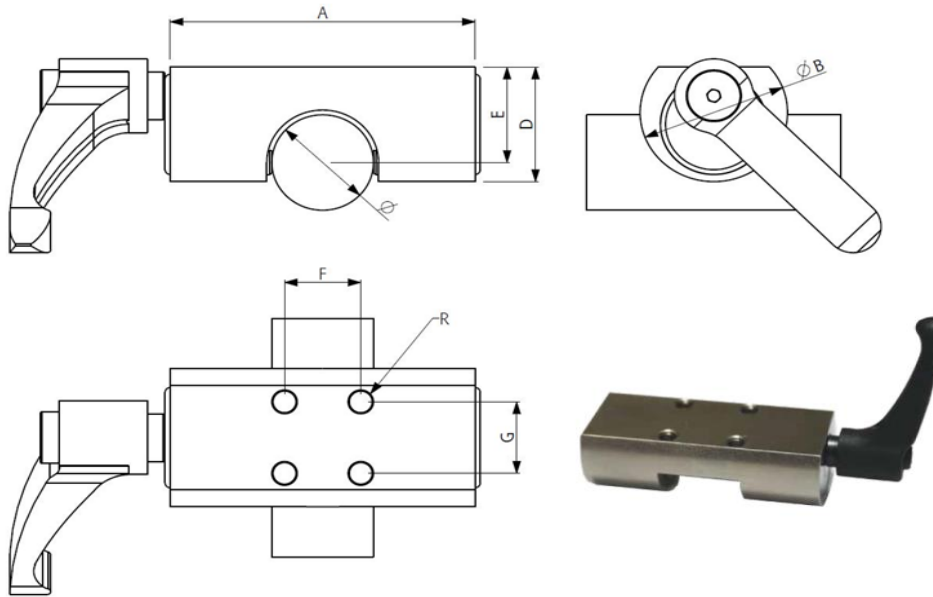


## FRCCMAN Manual Clamping Element

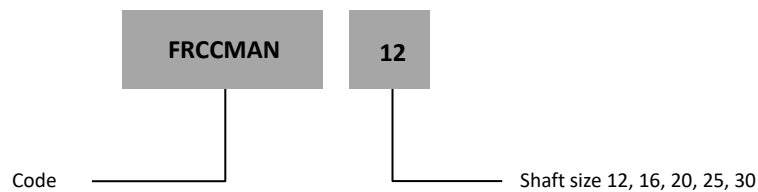
- Simple and reliable, this clamping element is manually controlled.
- By acting on the adjustable locking lever, the contact profiles press with sync on the surfaces of the rail.
- The floating profiles of contact ensure a symmetrical distribution of force on the linear guide.



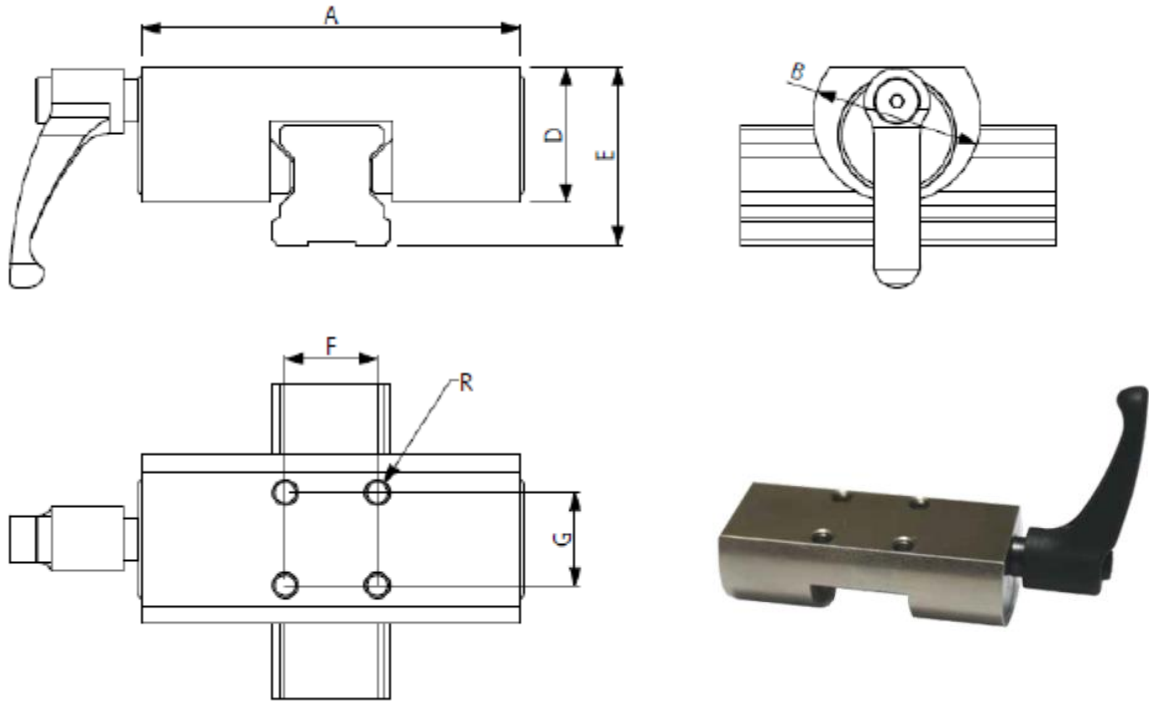
Code	Shaft size $\varnothing$ [mm]	Clamping force [N]	A	B	D	E	F	G	R
			[mm]						
FRCCMAN	12	1200	43	30	24	18	17	17	M4x5
FRCCMAN	16	1200	47	30	26	22	17	17	M4x5
FRCCMAN	20	1200	60	32	28	25	15	15	M5X6
FRCCMAN	25	1200	70	40	36	30	18	18	M6x8
FRCCMAN	30	2000	90	45	41	35	20	20	M6x8

Table 1. Table of manul clamping element selection (mm dimensions).

## Ordering information



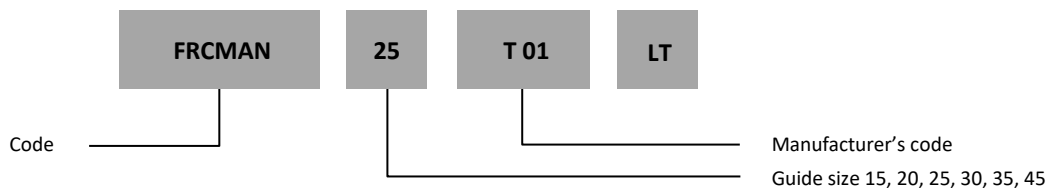
■ **FRCMANLT Manual Clamping Element for Linear Guides LIGHT line**



Code	Guide size	Clamping force [N]	A	B	D	E	F	G	R
			[mm]						
FRCMAN LT	T15	1200	47	25	17,5	24	17	17	M4x5
FRCMAN LT	T20	1200	60	26	20	28	15	15	M5x6
FRCMAN LT	T25	1200	70	32	24	33	20	20	M6x7
FRCMAN LT	T30	2000	90	38	29	42	22	22	M6x8
FRCMAN LT	T35	2000	98	42	32	44	24	24	M8x10
FRCMAN LT	T45	2000	118	50	42	60	26	26	M10x14

■ Table 2. Table of Manual Clamping Element of Linear Guides selection (dimensions in mm). Different size available on request.

■ **Ordering information**



Click and check if the product is available at the Albeco e-shop.