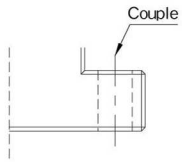


Support Unit EK  
(fixed-side rectangular type)

**EK05**

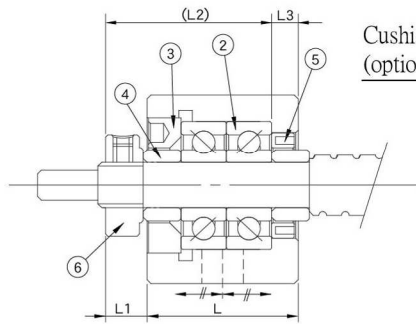
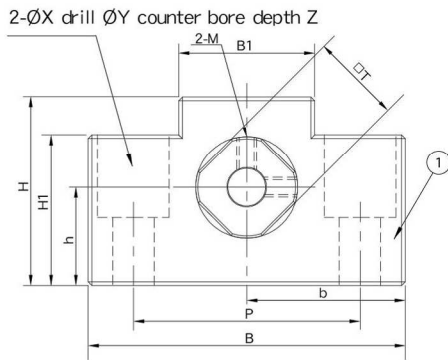


No.	Part name	Qty
1	Housing	1
2	Bearing	1 set
3	Holding lid	1
4	Collar	2
5	Seal	1 ( 2 )
6	Lock nut	1
7	Cushion Stopper (option)	1
8	Cushion Stopper (option)	2

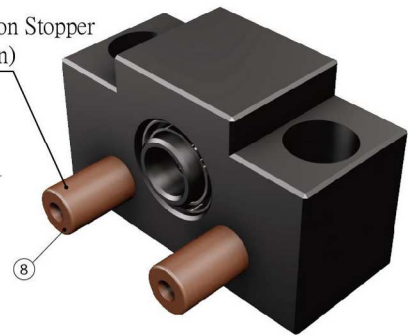


EK05

**EK06, EK08**

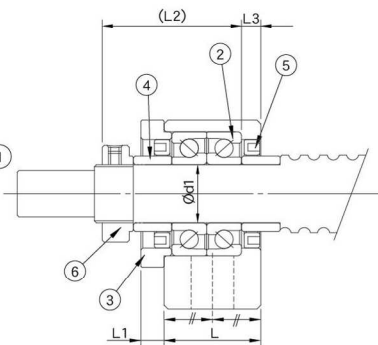
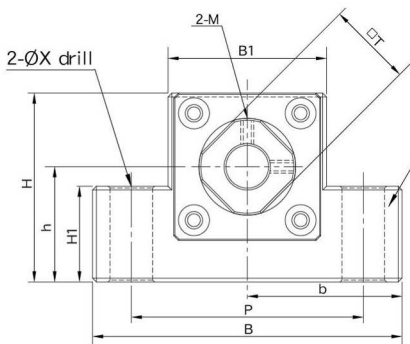


Cushion Stopper (option)

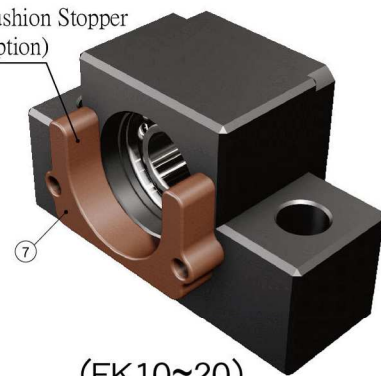


(EK06~08)

**EK10~EK20**



Cushion Stopper (option)

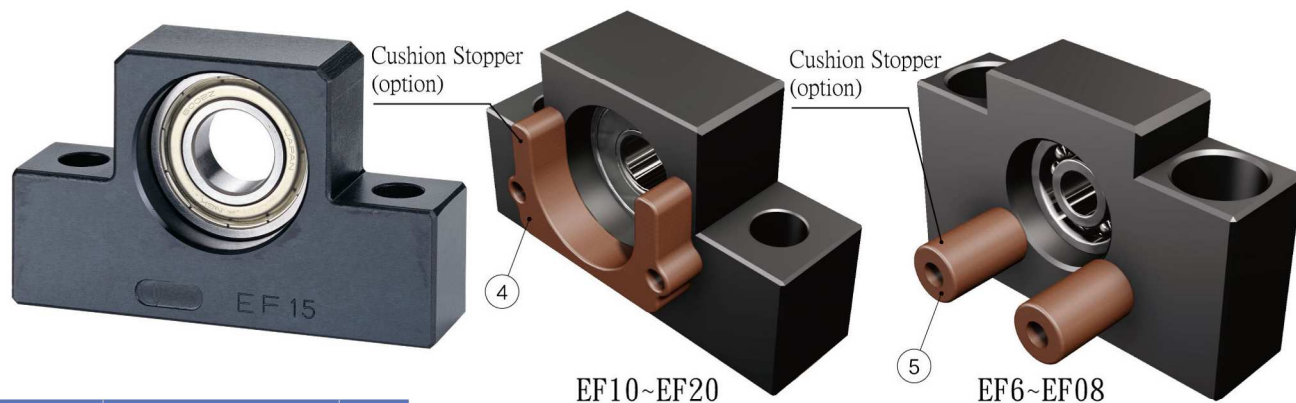


(EK10~20)

Unit : mm

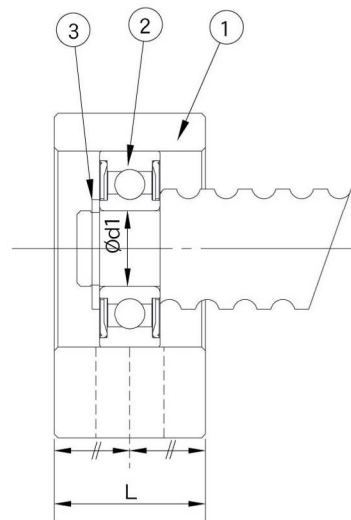
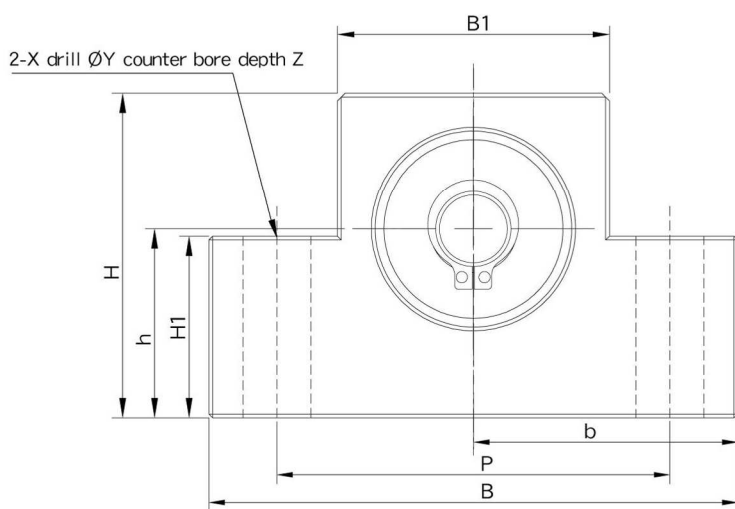
Model No.	Shaft diameter d1	L	L1	L2	L3	B	H	b	h	B1	H1	P	X	Y	Z	M	T	Weight (Kgs)
								±0.02	±0.02									
EK05	5	16.5	5.5	18.5	3.5	36	21	18	11	20	8	28	4.5	-	-	M3	11	0.1
EK06	6	20	5.5	22	3.5	42	25	21	13	18	20	30	5.5	9.5	11	M3	12	0.15
EK08	8	23	7	26	4	52	32	26	17	25	26	38	6.6	11	12	M3	14	0.26
EK10-1	10	24	6	29.5	6	65	43	32.5	21	36	20	52	6.6	-	-	M3	16	0.45
EK10	10	24	6	29.5	6	70	43	35	25	36	24	52	9	-	-	M3	16	0.45
EK12	12	24	6	29.5	6	70	43	35	25	36	24	52	9	-	-	M4	19	0.44
EK15	15	25	6	36	5	80	50	40	30	41	25	60	11	-	-	M4	22	0.56
EK20	20	42	10	50	10	95	58	47.5	30	56	25	75	11	-	-	M4	30	1.34

Support Unit EF  
(supported-side rectangular type)



No.	Part name	Qty
1	Housing	1
2	Bearing	1 set
3	Snap ring	1
4	Cushion Stopper (option)	1
5	Cushion Stopper (option)	2

EF



Unit : mm

Model No.	Shaft diameter d1	L	B	H	b ±0.02	h ±0.02	B1	H1	P	X	Y	Z	Bearing	Snap ring	Weight (Kgs)
EF06	6	12	42	25	21	13	18	20	30	5.5	9.5	11	606ZZ	S 06	0.1
EF08	6	14	52	32	26	17	25	26	38	6.6	11	12	606ZZ	S 06	0.15
EF10	8	20	70	43	35	25	36	24	52	9	-	-	608ZZ	S 08	0.33
EF12	10	20	70	43	35	25	36	24	52	9	-	-	6000ZZ	S 10	0.32
EF15	15	20	80	50	40	30	41	25	60	9	-	-	6002ZZ	S 15	0.38
EF20	20	26	95	58	47.5	30	56	25	75	11	-	-	6204ZZ	S 20	0.64