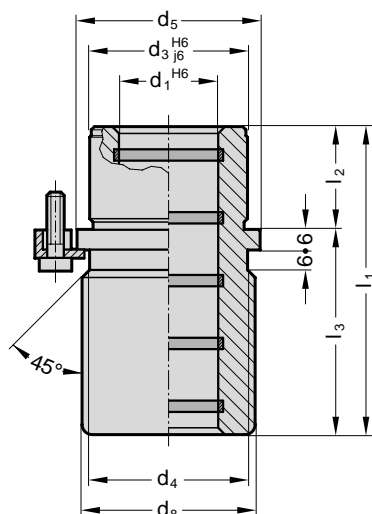
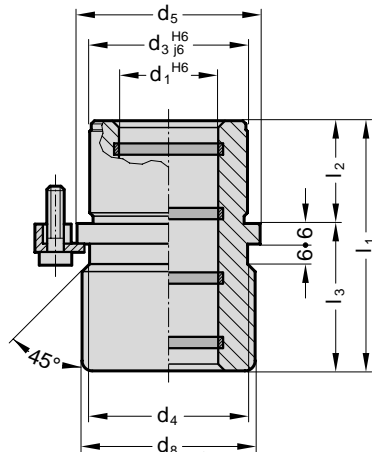




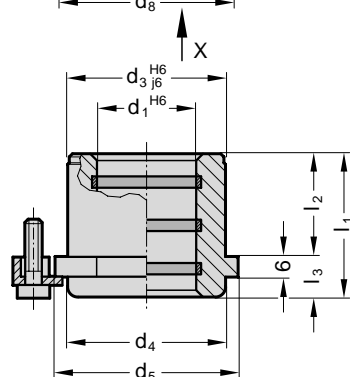
2081.71.



2081.74.



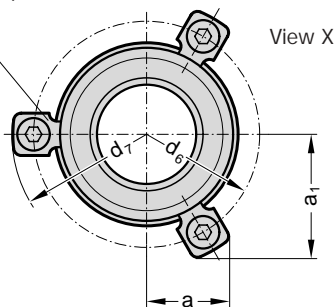
2081.75.



207.45

Order No for replacement parts

Screw clamp with cap screws M6 x 20 similar DIN 6912, head Ø13, (four clamps for size Ød₁ = 38 and over)



Headed Guide Bushes, bronze with solid lubricant rings



Note:

Receiving bore H6. Three screw clamps are provided for fixing; sizes Ø38 and over have four.

These guide bushes are supplied complete with clamps and lowhead socket cap screws similar DIN 6912, head Ø13.

Material: Bronze

Execution: Contact surfaces with solid lubricant rings, Diameter d₃ precision ground.

Ordering Code (example):

Headed guide bush, bronze with solid lubricant rings = 2081.71.

d₁ = 40 mm = 040

Order No = 2081.71.040

2081.71.

d ₁	19	20	24	25	30	32	38	40	48	50	60	63	80
d ₃	32	40	48	58	70	85	105						
d ₄	32	40	48	58	70	85	105						
d ₅	40	48	56	66	80	95	118						
d ₆	52	60	67	77	91	106	129						
d ₇	64,7	72,7	79,7	89,7	103,7	118,7	141,7						
d ₈	39	46	53	63	77	92	115						
a	20,7	22,65	24,4	35,3	40,2	45,5	54,5						
a ₁	30	33,4	36,4	35,3	40,2	45,5	54,5						
l ₁	59	79	93	108	127	150	150						
l ₂	23	23	30	37	47	60	60						
l ₃	36	56	63	71	80	90	90						

2081.74.

d ₁	19	20	24	25	30	32	38	40	48	50	60	63	80
l ₁	43	59	75	82	97	116	120						
l ₂	23	23	30	37	47	60	60						
l ₃	20	36	45	45	50	56	60						

2081.75.

d ₁	19	20	24	25	30	32	38	40	48	50	60	63	80
l ₁	35	35	42	52	65	80	80						
l ₂	23	23	30	37	47	60	60						
l ₃	12	12	12	15	18	20	20						

Order No. 2.5303.00.1205.01000

2. 20063 - 2005 - 1 □