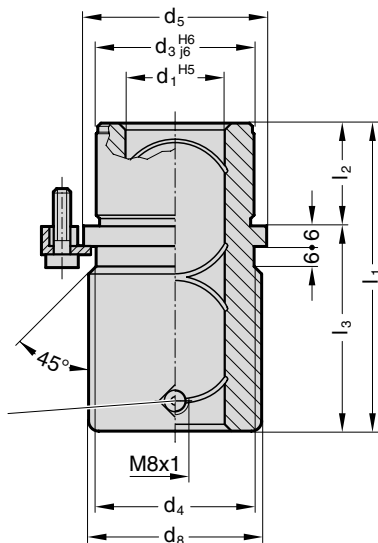


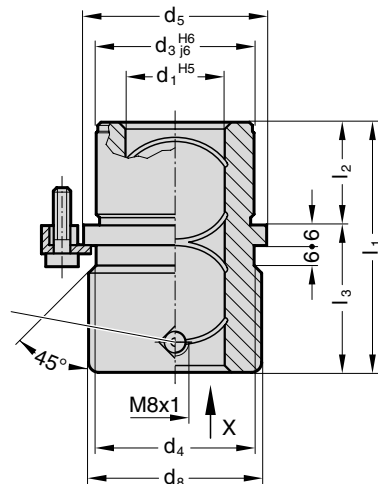


2081.91.



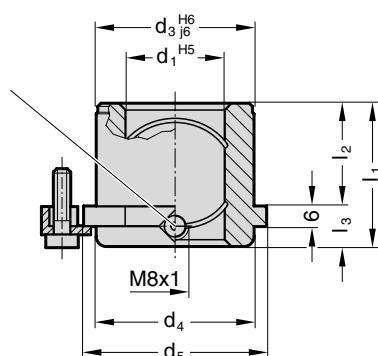
Grease nipple with thread  
DIN 3405 - A M8x1

2081.94.



Grease nipple with thread  
DIN 3405 - A M8x1

2081.95.

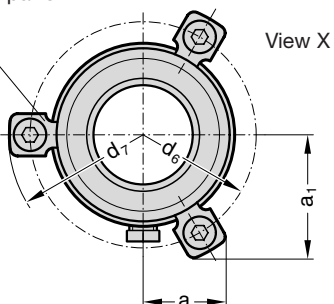


Grease nipple with thread  
DIN 3405 - A M8x1

207.45

Order No for replacement parts

Screw clamp with cap screws  
M6 x 20 similar  
DIN 6912,  
head Ø13,  
(four clamps for size  
Ød<sub>1</sub> = 38 and over)



Headed Guide Bushes,  
bronze plated



Note:

Receiving bore H6.  
Three screw clamps are provided for fixing;  
sizes Ø38 and over have four.

These guide bushes are supplied complete with clamps and  
lowhead socket cap screws similar DIN 6912, head Ø13.

Material: Steel  
d<sub>3</sub> induction hardened

Execution: Contact surfaces bronze plated,  
Diameter d<sub>3</sub> precision ground.

Ordering Code (example):

Headed guide bush, bronze plated	= 2081.91.
d <sub>1</sub> = 40 mm	= 040
Order No	= 2081.91.040

2081.91.

d <sub>1</sub>	19	20	24	25	30	32	38	40	48	50	60	63	80
d <sub>3</sub>	32	40	48	58	70	85	105						
d <sub>4</sub>	32	40	48	58	70	85	105						
d <sub>5</sub>	40	48	56	66	80	95	118						
d <sub>6</sub>	52	60	67	77	91	106	129						
d <sub>7</sub>	64,7	72,7	79,7	89,7	103,7	118,7	141,7						
d <sub>8</sub>	39	46	53	63	77	92	115						
a	20,7	22,65	24,4	35,3	40,2	45,5	54,5						
a <sub>1</sub>	30	33,4	36,4	35,3	40,2	45,5	54,5						
l <sub>1</sub>	59	79	93	108	127	150	150						
l <sub>2</sub>	23	23	30	37	47	60	60						
l <sub>3</sub>	36	56	63	71	80	90	90						

2081.94.

d <sub>1</sub>	19	20	24	25	30	32	38	40	48	50	60	63	80
l <sub>1</sub>	43	59	75	82	97	116	120						
l <sub>2</sub>	23	23	30	37	47	60	60						
l <sub>3</sub>	20	36	45	45	50	56	60						

2081.95.

d <sub>1</sub>	19	20	24	25	30	32	38	40	48	50	60	63	80
l <sub>1</sub>	35	35	42	52	65	80	80						
l <sub>2</sub>	23	23	30	37	47	60	60						
l <sub>3</sub>	12	12	12	15	18	20	20						

Order No. 2.5302.00.1105.01000

2 · 20048 · 2005 · 1 □