



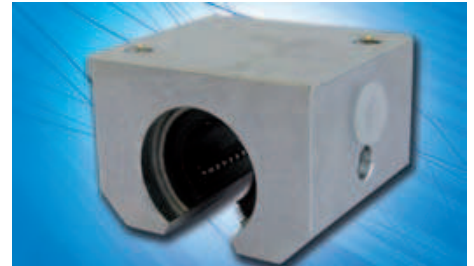
## Linear units with standard ball bushings, open casing

The LSE...-OP series of linear units are used on long shafts which are fully supported.

These linear units provide high rigidity and their unit construction allows easier integration into an installation.

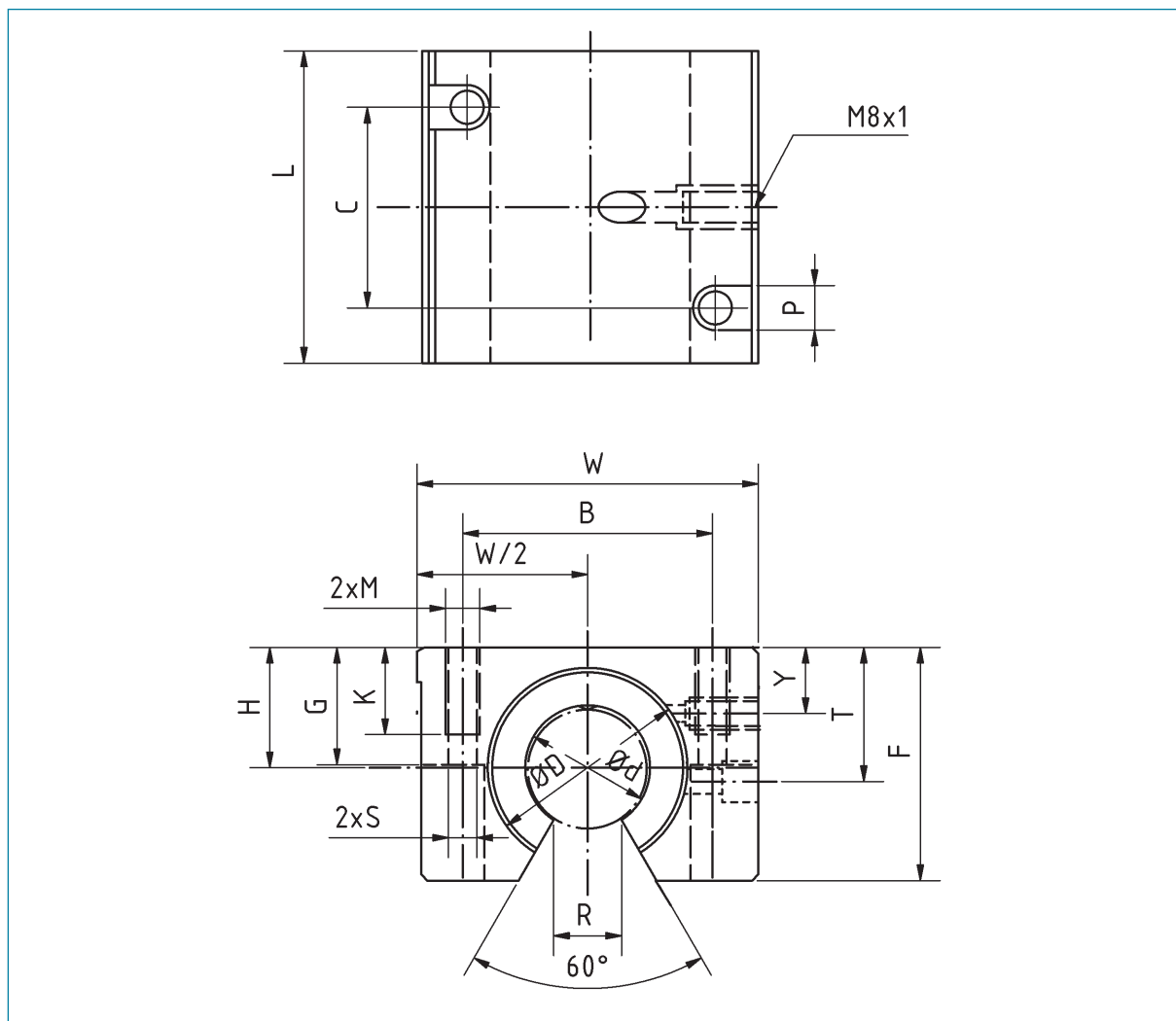
A LSE...-OP linear unit consists of the following:

- casing (AlMgSi0,5)
- BBE...-OP standard ball bushings
- wiper seals made from NBR



Optionally, the linear units are available with shafts and shaft supports (s. page 60).

Order reference	Dimensions [mm]									
	Ød	ØD H6	H $\begin{smallmatrix} +0,01 \\ -0,02 \end{smallmatrix}$	W	L $+0,3$	F	G	Y	T	B
LSE12UU-OP	12	22	18	43	39	28	23,5	8	16,65	32
LSE16UU-OP	16	26	22	53	43	35	30	12	22	40
LSE20UU-OP	20	32	25	60	54	42	34	13	25	45
LSE25UU-OP	25	40	30	78	67	51	40	15	31,5	60
LSE30UU-OP	30	47	35	87	79	60	48	16	33	68
LSE40UU-OP	40	62	45	108	91	77	60	20	43,5	86



Dimensions [mm]						dynamic load rating [N]	static load rating [N]	Weight [g]	Order reference
C	M	P	K	S	R +0,6				
23	M5	8	11	4,2	7	510	784	145	LSE12UU-OP
26	M6	10	13	5,2	9,4	578	892	218	LSE16UU-OP
32	M8	11	18	6,8	10,2	862	1 370	384	LSE20UU-OP
40	M10	15	22	8,6	12,5	980	1 570	765	LSE25UU-OP
45	M10	15	22	8,6	13,9	1 570	2 740	1 170	LSE30UU-OP
58	M12	18	26	10,3	18	2 160	4 020	2 265	LSE40UU-OP