



Linear units with super ball bushings, open casing

The linear units of the LSET...-OP series with the re-lubricating option are used on long shafts which are fully supported. They offer a high level of rigidity and handle loads in all directions. The unit design allows for simpler integration into the installations.

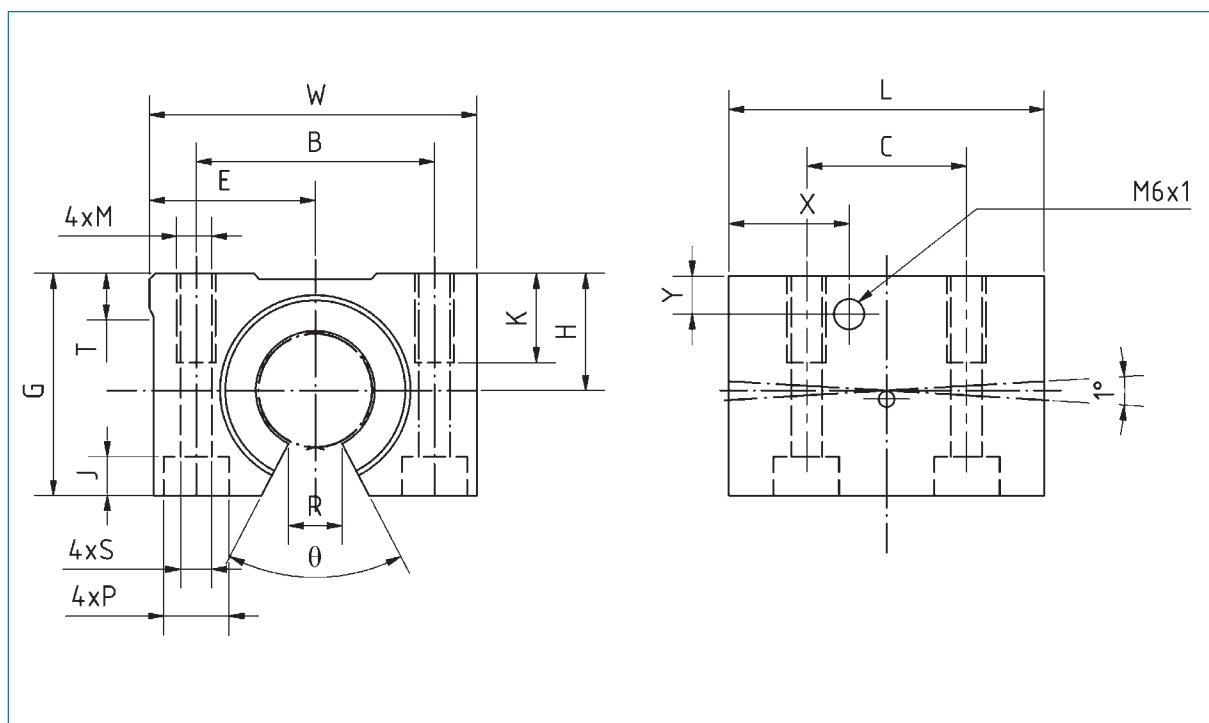


A LSET...-OP linear unit consists of the following:

- casing (AlMgSi0,5)
- a BBET...-OP super ball bushings
- wiper seals made from NBR

Optionally, the linear units are available with shafts and shaft supports.

Order reference	Dimensions [mm]										
	Ød	H ±0,015	E ±0,015	W	L	G	T	R	θ°	X	Y
LSET12UU-OP	12	18	21,5	43	39	28	5	6,5	66	14,5	7,5
LSET16UU-OP	16	22	26,5	53	43	35	5	9	68	15,5	9,5
LSET20UU-OP	20	25	30	60	54	42	5	9	55	19	9
LSET25UU-OP	25	30	39	78	67	51	7	11,5	57	22,5	10
LSET30UU-OP	30	35	43,5	87	79	60	8	14	57	26	11,5
LSET40UU-OP	40	45	54	108	91	77	10	19,5	56	26,5	14



Dimensions [mm]							dynamic load rating [N]	static load rating [N]	Weight [g]	Order reference
B	C	M	K	S	P	J				
32	23	M5	11	4,3	8	4,5	1 020	1 290	99	LSET12UU-OP
40	26	M6	13	5,3	9,5	5,5	1 250	1 550	175	LSET16UU-OP
45	32	M8	18	6,6	11	6,5	2 090	2 630	275	LSET20UU-OP
60	40	M10	22	8,4	14	8,6	3 780	4 720	558	LSET25UU-OP
68	45	M10	22	8,4	14	8,6	5 470	6 810	860	LSET30UU-OP
86	58	M12	26	10,5	17,5	10,8	6 590	8 230	1 490	LSET40UU-OP