

FAG tools for dismantling of rolling bearings

Extra strong hydraulic extractors with integral hand pump

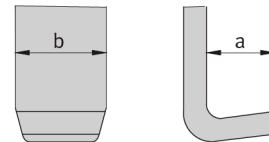
Extra strong hydraulic FAG extractors with integral hand pump

Extra strong hydraulic FAG extractors with integral hand pump are available for high extraction forces of up to 300 kN. They allow rolling bearings, gears, bushes and other components to be dismantled effortlessly. They are easy to handle and safe. The compact units are housed in a rigid metal case. Extractors SPIDER 100 to 300 are also available with extended arms (suffix XL).



Ordering example for normal length arms as accessories for PULLER-HYD100-XL / replacement part for PULLER-HYD100:
PULLER-HYD100.JAW

Ordering example for extended arms as accessories for PULLER-HYD200 / replacement part for PULLER-HYD200-XL:
PULLER-HYD200.JAW-LONG



Product range - extra strong extractors SPIDER with integral hand pump

Ordering designation	Extraction force kN	Span mm	Depth mm	Stroke mm	Dimensions		Mass ≈ kg
					a mm	b	
PULLER-HYD100	100	280	182	82	11	22	5,6
PULLER-HYD100-XL	100	280	220	82	11	25	6,5
PULLER-HYD120	120	305	220	82	11	25	7,6
PULLER-HYD120-XL	120	305	259	82	14	29	8,5
PULLER-HYD200	200	356	259	82	14	29	10
PULLER-HYD200-XL	200	356	300	82	30	33	11,5
PULLER-HYD250	250	406	300	110	30	33	20
PULLER-HYD250-XL	250	406	375	110	27	38	22
PULLER-HYD300	300	540	375	110	27	38	25
PULLER-HYD300-XL	300	800	405	110	30	28	45

FAG tools for dismantling of rolling bearings

Extra strong hydraulic extractors with separate hand pump

Extra strong hydraulic FAG extractors with separate hand pump

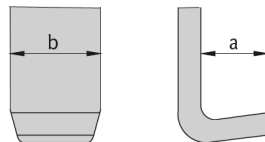
For extra strong hydraulic FAG extractors for maximum extraction forces of 175 and 400 kN, the oil pressure is applied by a separate hand pump. They allow rolling bearings, gears, bushes and other components to be dismantled effortlessly, even in restricted spaces. The extractors are easy and safe to use. They are housed with the pumps in a rigid metal case. The two hydraulic extractors are available with a normal arm length and with extended arms on request (suffix XL).

Ordering example for normal length arms as accessories for PULLER-HYD175-XL / replacement part for PULLER-HYD175:

PULLER-HYD175.JAW

Ordering example for extended arms as accessories for PULLER-HYD400-XL / replacement part for PULLER-HYD400XL:

PULLER-HYD400.JAW-LONG



Product range - extra strong extractors SPIDER with separate hand pump

Ordering designation	Extraction force kN	Span	Depth	Stroke	Dimensions		Mass ≈ kg
		mm	mm	mm	a mm	b	
PULLER-HYD175	175	356	229	82	14	29	15,6
PULLER-HYD175-XL	175	356	300	82	30	33	17
PULLER-HYD400	400	800	405	250	30	28	45
PULLER-HYD400-XL	400	1200	635	250	30	28	49

FAG tools for dismantling of rolling bearings

Three-section extraction plates for extractors

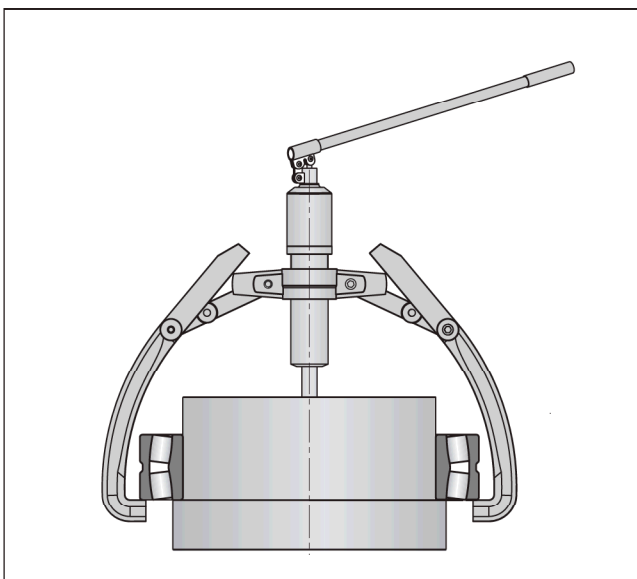
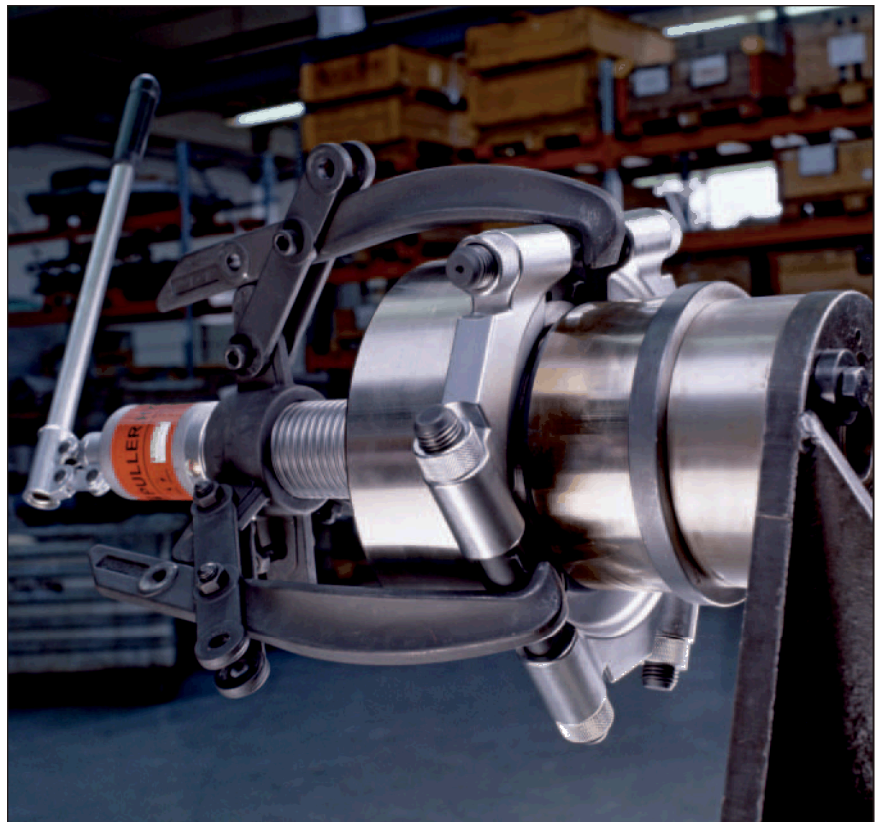
Three-section FAG extraction plates

Application

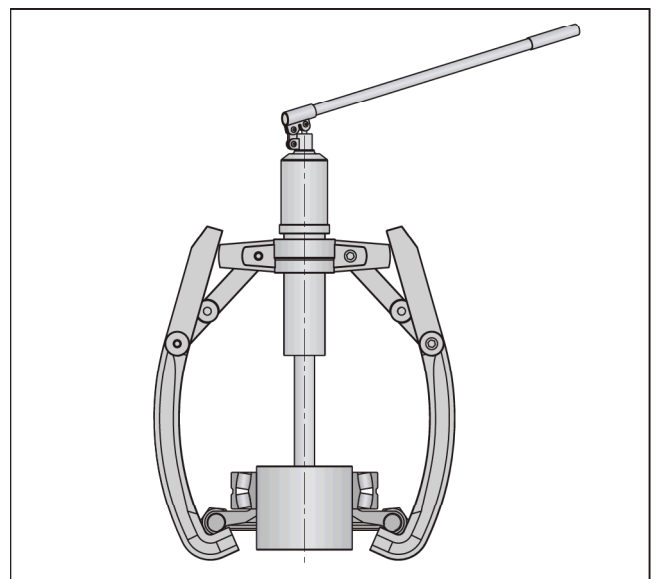
- For extraction of complete bearings or tightly fitted inner rings.
- Principally for cases in which the inner ring is adjacent to a shoulder on the shaft without extraction slots. Good radial access to the bearing location is required.
- Extraction of inner rings and complete rolling bearings without damage is possible with proper handling.

Function

The three extraction plates are pushed, by means of alternately screwing in the nuts, between the shaft shoulder and inner ring. The separating device is screwed onto the extraction plates using three tie rods.



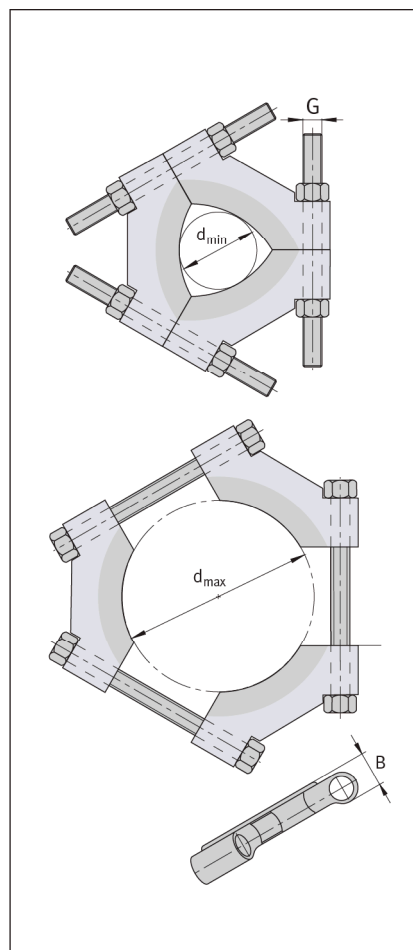
If the extraction forces are directed through the rolling elements, the rolling elements and raceways could be damaged.



Use of a three-section extraction plate prevents damage because the forces act on the tightly fitted inner rings.

FAG tools for dismounting of rolling bearings

Three-section extraction plates for extractors



Product range - three-section extraction plates

Ordering designation Extraction plate	Dimensions			Thread G	Mass ≈ kg	Suitable for hydraulic extractor	mechanical extractor
	d _{min}	d _{max}	B				
	mm						
PULLER-TRISECTION-50	12	50	17	M10×1,25	0,5	–	52.085/52.130
PULLER-TRISECTION-100	26	100	28	M16×2	2,6	40/60/80/100	52.230
PULLER-TRISECTION-160	50	160	33,5	M22×2,5	5,8	80/100/120/175/200	52.295
PULLER-TRISECTION-260	90	260	46,5	M32×2,5	18,4	175/200/250/300	52.390
PULLER-TRISECTION-380	140	380	65	M44×2,5	50,3	250/300/400	52.640