



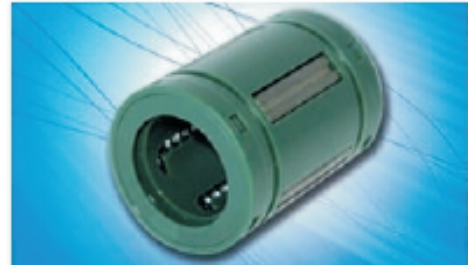
Super ball bushings (closed, open)

The super ball bushings of the BBET series according to ISO 10285 are available as an open and a closed model. The super ball bushings have similar dimensions and tolerances as standard ball bushings.

Super ball bushings have crowned track segments which allow misalignments of up to 0.5° to be accommodated. Hence, overloading because of bending (deflection) of the shaft or skew due to inaccuracies of the tooling hole is avoided.

Through the specific construction, higher capacities, smoother operation, as well as a higher permissible operating speed of up to 3 m/s, are obtained.

Because of the self-adjustment, per shaft, at least two super ball bushings should be utilized to avoid tilting.

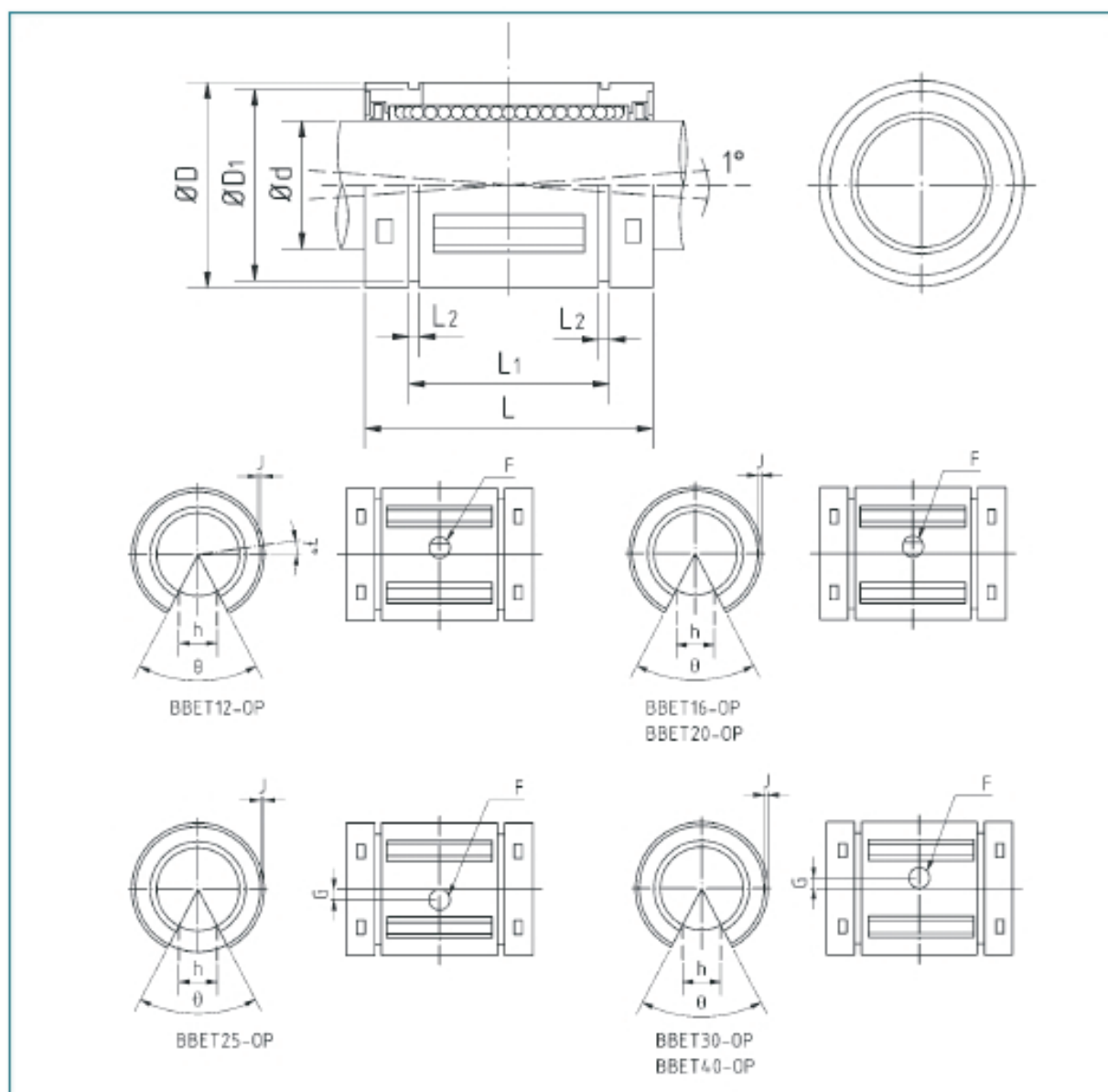


The super ball bushings can be supplied from stock, with two wiper seals.

Examples of order reference for a ball bushings with double-sided seal: BBET12UU, BBET12UU-OP

Optionally, the open super ball bushings with shafts and mounting rails are available (s. page 60).

Order reference		Dimensions [mm]									
closed	open	Ødr	Tolerance	ØD	L	Tolerance	L1	Tolerance	L2	ØD1	h
BBET8	-	8	+0,008 0	16	25	±0,2	16,5	0 -0,2	1,1	15,2	-
BBET10	-	10		19	29		22		1,3	18	-
BBET12	BBET12-OP	12		22	32		22,9		1,3	21	6,5
BBET16	BBET16-OP	16	26	36	24,9		1,3		24,9	9	
BBET20	BBET20-OP	20	+0,009 0,001	32	45		31,5	1,6	30,3	9	
BBET25	BBET25-OP	25	+0,011 0,001	40	58		44,1	1,85	37,5	11,5	
BBET30	BBET30-OP	30	+0,013 0,002	47	68		52,1	0 -0,3	1,85	44,5	14
BBET40	BBET40-OP	40		62	80		60,6		2,15	59	19,5
BBET50	BBET50-OP	50		75	100		77,6		2,65	72	22,5



Dimensions [mm]				Rows of balls		dynamic load rating [N]	static load rating [N]	Weight [g]		Order reference	
θ [°]	FH11	G	J	closed	open			closed	open	closed	open
-	-	-	-	4	-	423	534	7,3	-	BBET8	
-	-	-	-	5	-	750	935	14	-	BBET10	
66	3	-	0,7	5	4	1 020	1 290	21	17	BBET12	BBET12-OP
68		-	1	5	4	1 250	1 550	43	35	BBET16	BBET16-OP
55		-	1	6	5	2 090	2 630	58	48	BBET20	BBET20-OP
57		1,5	1,5	6	5	3 780	4 720	123	103	BBET25	BBET25-OP
57		2	1,7	6	5	5 470	6 810	216	177	BBET30	BBET30-OP
56		1,5	2,4	6	5	6 590	8 230	333	275	BBET40	BBET40-OP
54		5	2,5	2,7	6	5	10 800	13 500	618	520	BBET50

The indicated load ratings are only applicable in cases where the load is being applied to a single row of balls. If, however, the force is shared between two rows of balls, the load capacity is increased by the following factor (refer to table on page 75).