



## Tandem flanged standard ball bushings (round)

The ball bushings of the BBER...L series combine the advantages of flanged standard ball bushings with those of tandem ball bushings, since they provide a rigid, aligned linear guidance through their length, allowing the application of a second ball bearing.

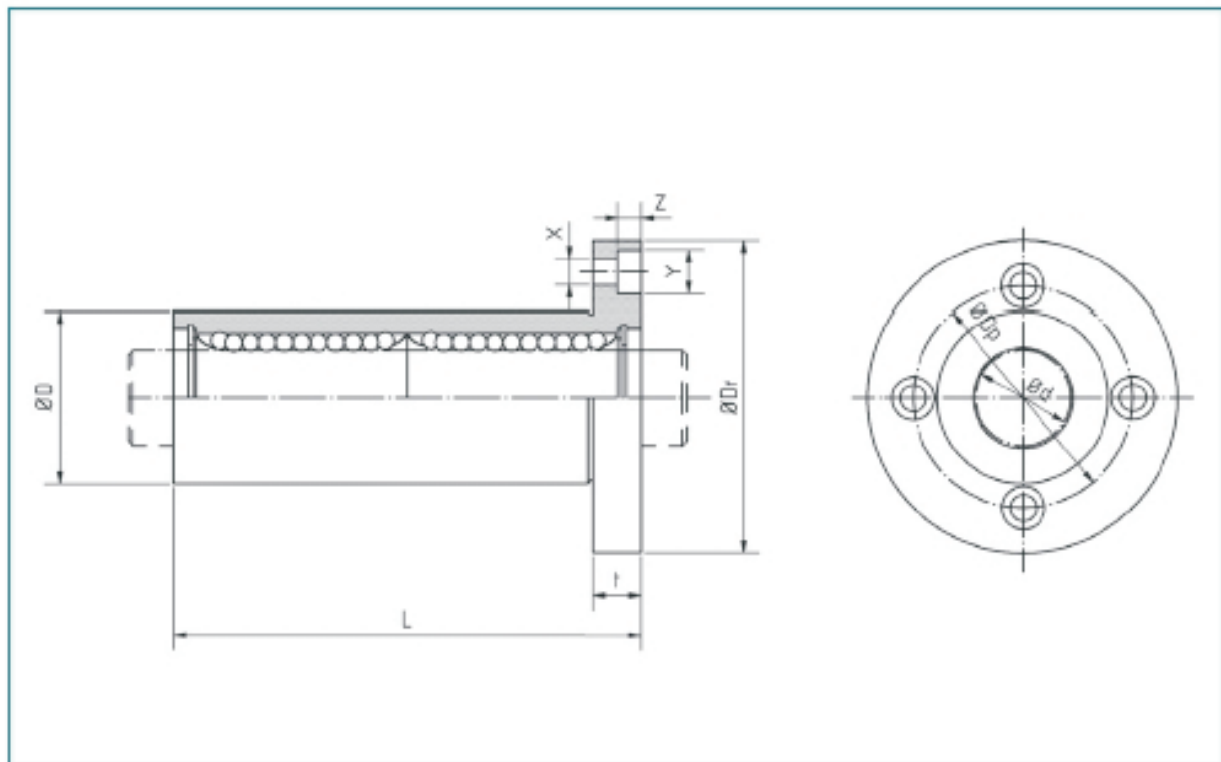


The standard ball bushings can be supplied from stock, with two wiper seals. The required seals are to be included when ordering.

Examples of order reference for a ball bushings with single-sided seal: BBER12LU, BBER12LAU

Examples of order reference for a ball bushings with double-sided seal: BBER12LUU, BBER12LAUU

| Order reference |            |                     |                      | Dimensions [mm] |                  |    |             |     |           |     |    |     |
|-----------------|------------|---------------------|----------------------|-----------------|------------------|----|-------------|-----|-----------|-----|----|-----|
| Standard        |            | Corrosion-resistant |                      | Ød              | Tolerance        | ØD | Tolerance   | L   | Tolerance | ØDf | t  | ØDp |
| Plastic cage    | Steel cage | Plastic cage        | Stainless steel cage |                 |                  |    |             |     |           |     |    |     |
| BBER8L          | BBER8LA    | BBERS8L             | BBERS8LA             | 8               | +0,009<br>-0,001 | 16 | 0<br>-0,013 | 46  | ±0,3      | 32  | 5  | 24  |
| BBER12L         | BBER12LA   | BBERS12L            | BBERS12LA            | 12              |                  | 22 | 0           | 61  |           | 42  | 6  | 32  |
| BBER16L         | BBER16LA   | BBERS16L            | BBERS16LA            | 16              | +0,011<br>-0,001 | 26 | -0,016      | 68  |           | 46  | 6  | 36  |
| BBER20L         | BBER20LA   | BBERS20L            | BBERS20LA            | 20              |                  | 32 | 0           | 80  |           | 54  | 8  | 43  |
| BBER25L         | BBER25LA   | BBERS25L            | BBERS25LA            | 25              | +0,013<br>-0,002 | 40 | 0<br>-0,019 | 112 |           | 62  | 8  | 51  |
| BBER30L         | BBER30LA   | BBERS30L            | BBERS30LA            | 30              |                  | 47 | 0           | 123 |           | 76  | 10 | 62  |
| BBER40L         | BBER40LA   | BBERS40L            | BBERS40LA            | 40              | +0,016<br>-0,004 | 62 | 0           | 151 |           | 98  | 13 | 80  |
| BBER50L         | BBER50LA   | BBERS50L            | BBERS50LA            | 50              |                  | 75 | -0,022      | 192 |           | 112 | 13 | 94  |
| BBER60L         | BBER60LA   | BBERS60L            | BBERS60LA            | 60              |                  | 90 | 0<br>-0,025 | 209 |           | 134 | 18 | 112 |



| Dimensions [mm] |     |      | Rows of balls | max. eccentricity [ $\mu\text{m}$ ] | Angular deviation [ $\mu\text{m}$ ] | dynamic load rating [N] | static load rating [N] | permissible static moment $M_y$ [Nm] | Weight [g] | Order reference |            |                     |                      |
|-----------------|-----|------|---------------|-------------------------------------|-------------------------------------|-------------------------|------------------------|--------------------------------------|------------|-----------------|------------|---------------------|----------------------|
| X               | Y   | Z    |               |                                     |                                     |                         |                        |                                      |            | Standard        |            | Corrosion-resistant |                      |
|                 |     |      |               |                                     |                                     |                         |                        |                                      |            | Plastic cage    | Steel cage | Plastic cage        | Stainless steel cage |
| 3,5             | 6   | 3,1  | 4             | 15                                  | 15                                  | 421                     | 804                    | 4,3                                  | 59         | BBER8L          | BBER8LA    | BBERS8L             | BBERS8LA             |
| 4,5             | 7,5 | 4,1  | 4             |                                     |                                     | 813                     | 1 570                  | 12                                   | 110        | BBER12L         | BBER12LA   | BBERS12L            | BBERS12LA            |
| 4,5             | 7,5 | 4,1  | 4             |                                     |                                     | 921                     | 1 780                  | 14                                   | 160        | BBER16L         | BBER16LA   | BBERS16L            | BBERS16LA            |
| 5,5             | 9   | 5,1  | 5             | 17                                  | 17                                  | 1 370                   | 2 740                  | 25                                   | 260        | BBER20L         | BBER20LA   | BBERS20L            | BBERS20LA            |
| 5,5             | 9   | 5,1  | 6             |                                     |                                     | 1 570                   | 3 140                  | 44                                   | 540        | BBER25L         | BBER25LA   | BBERS25L            | BBERS25LA            |
| 6,6             | 11  | 6,1  | 6             |                                     |                                     | 2 500                   | 5 490                  | 78                                   | 815        | BBER30L         | BBER30LA   | BBERS30L            | BBERS30LA            |
| 9               | 14  | 8,1  | 6             | 20                                  | 20                                  | 3 430                   | 8 040                  | 147                                  | 1 805      | BBER40L         | BBER40LA   | BBERS40L            | BBERS40LA            |
| 9               | 14  | 8,1  | 6             |                                     |                                     | 6 080                   | 15 900                 | 396                                  | 2 820      | BBER50L         | BBER50LA   | BBERS50L            | BBERS50LA            |
| 11              | 17  | 11,1 | 6             |                                     |                                     | 7 550                   | 20 000                 | 487                                  | 4 920      | BBER60L         | BBER60LA   | BBERS60L            | BBERS60LA            |

The indicated load ratings are only applicable in cases where the load is being applied to a single row of balls. If, however, the force is shared between two rows of balls, the load capacity is increased by the following factor (refer to table on page 75).